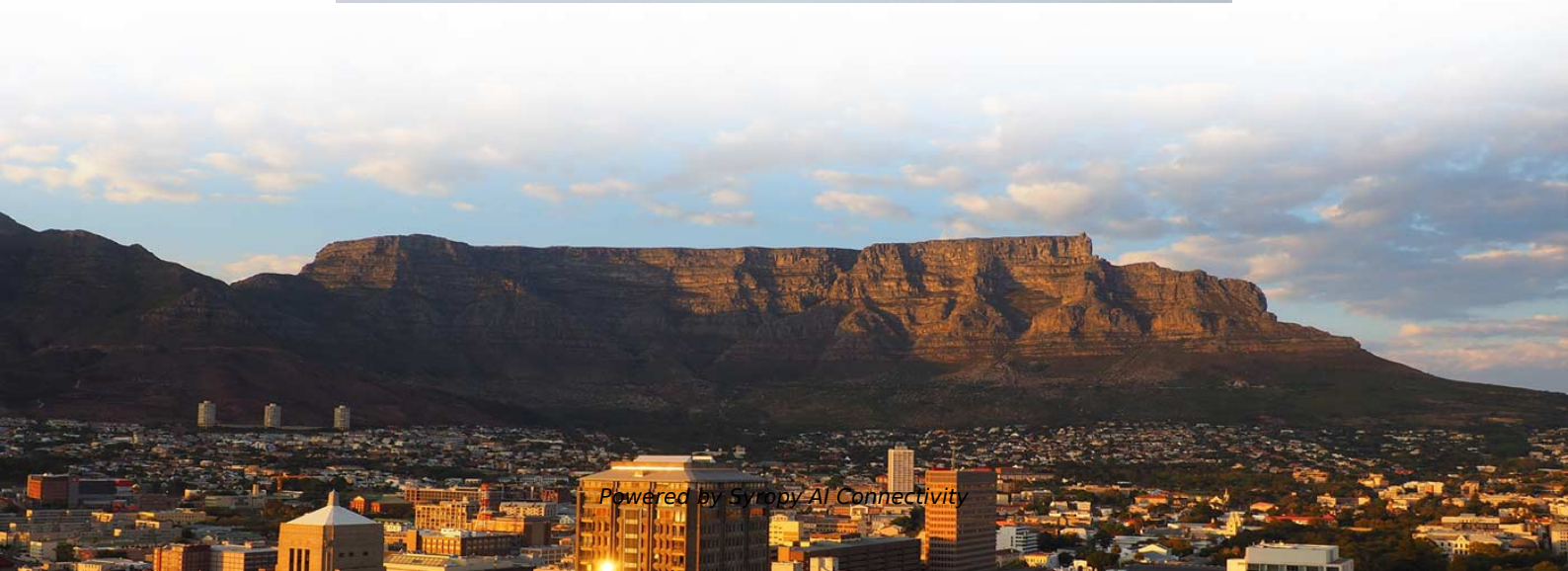


Wiring of the fire protection module in the distribution box





Overview

This publication shows how to wire and install the 4010-9825 24V Distribution Block into a 4010 Fire Alarm Control Panel (FACP). The correct wiring method is crucial for ensuring the normal operation of the fire security system. When used in a Style 4 circuit, placing devices in several branches after 8709 modules, a short in the wiring. This guide aims to demystify these diagrams, offering a deep dive into their components, functionality, and practical applications. Install this product in accordance with NFPA 72, NFPA 70, and NEC 70 and all local codes.



Wiring of the fire protection module in the distribution box



Fire protection guide for electrical installations

Typical insulation systems consist of: Mortar, mineral fibre plates with coating, fire protection foam, single-component compounds, foams and fit-tings, boxes, silicones and special rubbery modules.

Consumer unit buying guide

Surge protection must be provided if there is a risk that could cause serious injury or loss of human life. Protection against thermal effects: to protect against fire, burns



Electric Panel Installation Method Statement

This document provides a method statement for installing and terminating electric panels and distribution boxes. It outlines 4 steps: 1) Pre-installation preparation

Fire alarm module wiring diagram

At the same time, different types of fire protection modules need to be connected according to different wiring requirements to ensure the correctness and stability of the connection.



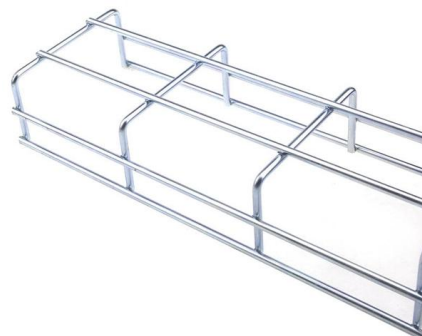
Power Distribution Boxes Explained Simply

Bus bars and internal wiring help distribute electricity to each connected circuit efficiently. The box keeps everything safe by balancing the load,



4010-9825 24V Distribution Block Installation Instructions

This publication shows how to wire and install the 4010-9825 24V Distribution Block into a 4010 Fire Alarm Control Panel (FACP). Refer to the 842-058 Field Wiring Diagram for additional wiring



Matrix Fire Alarm Control Panel Installation Manual

Modules can be added, configured, and replaced without altering field wiring connections. This modularity allows each Matrix Fire Alarm Control Panel to be customized for a specific operation.



A Comprehensive Guide to Wiring Diagrams for Fire Alarm Relay Modules

A fire alarm relay module is an essential component in a fire alarm system. It is responsible for controlling and initiating various functions, such as activating emergency lighting, shutting down air



Fire Alarm Installation Wiring Diagram Guide

Detailed fire alarm installation diagram for proper setup and placement of detectors, panels, and wiring to ensure safety and compliance with building standards.



How to Wire a Home Distribution Box

The above mentioned electrical wiring accessories and protective devices are used to control and distribute electric supply (safely to connected



Installation Manual: PADI100-IM Isolator Module

The wiring diagram shown below illustrates how to wire a PADI100-IM module as Class X. Additionally, an installation diagram shows how to install the module using a compatible electrical box.



The Ultimate Fire Alarm Wiring Guide: Step-by-Step

In this comprehensive guide, we will walk you through the step-by-step process of fire alarm wiring, from planning and design to installation and testing.



An Expert Guide to Fire Alarm Wiring: Everything You

Learn how to properly install and wire fire alarm systems with our comprehensive fire alarm wiring guide. From types of wiring to step-by-step installation instructions,



ECU Fire Protection System for Distribution

Product Catalog



Distribution Boxes: Types and Functions

Distribution boards can be customized to meet different wiring layouts, circuit quantities (ways), and environmental requirements such as IP



Visualizing Fire Alarm Control Panel Wiring Connections

Learn how to wire a fire alarm control panel with a detailed wiring diagram. Ensure your building's safety with proper installation.



Boards

The ECU fire protection system was designed to meet new regulations, protecting domestic units and distribution boards from potential fire damage.



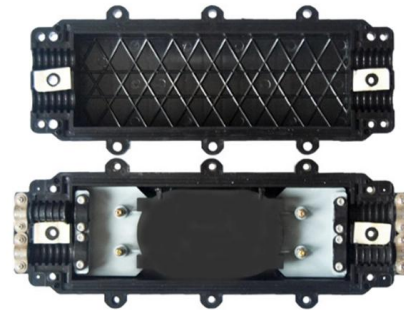
The installation requirements for the distribution box

Learn how to install a distribution box safely and correctly. Covers wiring, placement, standards, and expert tips for a compliant setup.



The Ultimate Fire Alarm Wiring Guide: Step-by-Step

A comprehensive fire alarm wiring guide, covering the basics of fire alarm systems, including wiring techniques, codes and regulations, and troubleshooting tips.



How to Wire an Explosion-Proof Distribution Box and

Proper installation, wiring, and usage are critical to ensuring the safety and functionality of these systems. Below, we will discuss the correct wiring methods



Size determination, installation method and wiring mode

The distribution box is the central hub of the home circuit and the general control of our daily power consumption. It is an indispensable electrical equipment. If there

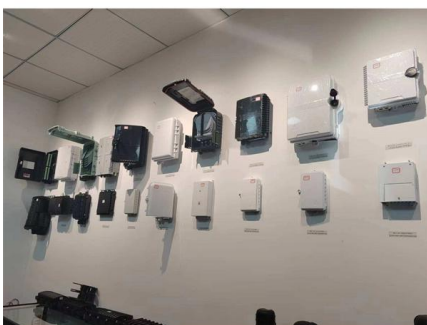


Fire Alarm System Control Module Wiring Diagram: A Comprehensive

Understanding a fire alarm system control module wiring diagram isn't just about troubleshooting; it's about ensuring the safety of everyone under that roof. This guide aims to

Installation details of fire distribution box

In each distribution circuit, after the wires enter the box, we need to note the label, saying its purpose. When wiring, each distribution switch needs to



5 Room Distribution box wiring with all Protection Device

single phase distribution board wiring In this video, I try to explain the concept of single phase house wiring system with all electrical protection device.



Wiring a Fire Alarm System: A Comprehensive Guide to

Wiring a Fire Alarm System: A Comprehensive Guide to Installation, Codes, and Safety Wiring a fire alarm system properly is absolutely paramount



HLIMr2

All wiring must comply with national and local codes. In order to provide adequate protection, it is recommended that you do not install more than 20 devices on a single 8709. Wire size: 18 to 14 AWG. The

Contact Us

For datasheets, pricing, or custom high-speed optical interconnect solutions, please visit:
<https://www.syropy.com.pl>