

# **Wiring method for a four-circuit distribution box**





## Overview

---

Wiring a 4-gang box requires distributing a single incoming power source to four separate switches. In this guide, we'll break down everything you need to know to install a distribution box correctly and confidently. Choose the right box based on environment (indoor/outdoor), load capacity, and durability. When four separate lighting circuits converge in one location, the potential for a disorganized "rat's nest" of wires increases, leading to potential short circuits, overheating, and installation failure. Understanding the precise schematic and wire management techniques is essential for. A 4 terminal junction box, also known as a 4-way junction box, is commonly used when there is a need to connect multiple wires or circuits together. This versatile device allows for easy troubleshooting, modification, and expansion of electrical systems.



## Wiring method for a four-circuit distribution box

---



### The installation requirements for the distribution box

Learn how to install a distribution box safely and correctly. Covers wiring, placement, standards, and expert tips for a compliant setup.

### Distribution Box Wiring Steps

?Wiring Direction?: Wiring between the main circuit breaker and each branch circuit breaker in the box generally goes on the left, and the wiring out of



### Simplified Guide to Wiring a 4 Terminal Junction Box

Learn how to properly wire and connect a 4 terminal junction box for safe and efficient electrical connections. Step-by-step guide and tips.

### 4 Gang Switch Box Wiring Diagram

A 4 gang switch box wiring diagram is a technical blueprint that illustrates how to provide power to four individual switches housed in a single quadruple-width electrical box.



### How to Wire a 4 Gang Switch Box

A comprehensive guide to safely managing four electrical circuits within a single switch box, focusing on efficient wire organization.



### Distribution Board Wiring Diagram For Single Phase Wiring

Distribution board wiring is very important for controlling the E wiring. For this post I designed a diagram about distribution wiring, we can call this circuit



### on video How to Wire a Home Distribution Box

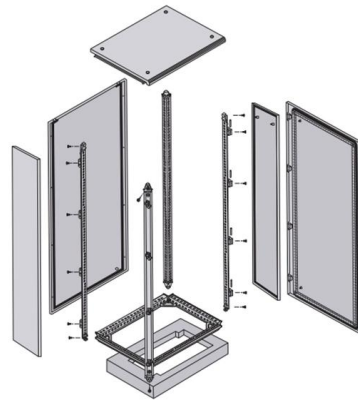
How to Wire a Home Distribution Box - Step-by-Step , Distribution DB box wiring diagram  
Welcome to our channel! In this video, we'll walk you through the





## How to Wire a Home Distribution Box

In this video, we'll walk you through the process of wiring a home distribution box with a detailed connection diagram.

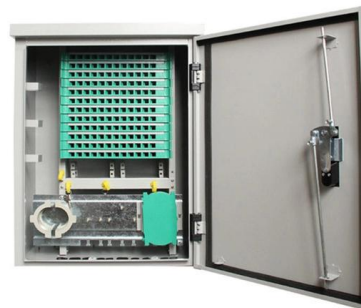


## How to Install a Cable Distribution Box Safely and

In modern electrical systems, cable distribution boxes (also known as electrical distribution boxes or distribution boxes) play a crucial role as the key

## How to Install a Distribution Box--A Comprehensive

First of all, you need to have a simple understanding of the definition of a distribution box, and make it clear which kind of distribution box you want to



## 4 Wire Outlet Wiring Diagram: Step-by-Step Guide

Master the safe installation of 4-wire high-voltage receptacles. Detailed guide on identifying conductors, terminal connections, and verifying 240V circuits.

## How to Wire a Home Distribution Box



How to Wire a Home Distribution Box - Step-by-Step , Distribution DB box wiring diagram  
Welcome to our channel! In this video, we'll walk you through



### Electric distribution box wiring tutorial (very simple and practical)

In this video, we are going to wire a power distribution box. This small box has an rccb switch that protects the outputs from electric shock and also has a miniature switch that protects the



### 3 Phase Distribution Board Layout and Wiring Diagram /

I try to explain three phase distribution board layout and wiring diagram. Three phase power supply is required, when the Power distribution



### The Ultimate Guide to 4 Gang Boxes: Installation,

This guide dives into the world of 4 gang boxes, essential components for managing multiple electrical devices in one location. We'll cover





## How To Wire A 4 Circuit Breaker Box

In this guide, we'll tell you everything you need to know about how to wire a 4 circuit breaker box and ensure that your home remains safe and sound.



## Demystifying 4 wire electrical wiring diagrams

Learn how to read and understand 4 wire electrical wiring diagrams in this comprehensive guide. Find step-by-step instructions and diagrams for various electrical projects.

## How To Wire A Distribution Board (DB Board): A Step-By-Step Guide

A distribution board (DB board), also known as a fuse box or breaker panel, is essential for managing electrical circuits in a building. It distributes electrical power from the main supply to



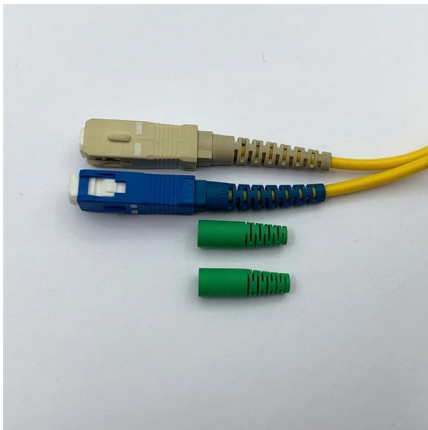
## How To Wire A 4 Circuit Breaker Box

This is where electricity is distributed throughout the house and is essential to helping keep the power running safely and efficiently. When it comes



## WORLD WIDE WEB JOURNAL Home

O'Reilly & Associates, Inc. 103A Morris St.  
Sebastopol, CA United States



### 3 Phase 4-wire Distribution System Diagram » Wiring Work

The power of 3 phase 4 wire systems is undeniable: it is the backbone of many homes and businesses across the world. This type of wiring system

### The Ultimate Guide to Circuit Breaker Wiring

Do you worry about faulty wiring causing a fire in your home? Messy distribution boxes are dangerous and very hard to fix. This guide shows you how to organize



### How to Wire a Home Distribution Box

How to Wire a Home Distribution Box - Step-by-Step , Distribution DB box wiring diagram  
Welcome to our channel! In this video, we'll walk you through the



## Understanding the Diagram of a 3 Phase 4 Wire System

Learn about the 3 phase 4 wire system diagram for efficient electrical power distribution. Understand the connections and benefits of this system.



## Contact Us

---

For datasheets, pricing, or custom high-speed optical interconnect solutions, please visit:

<https://www.syropy.com.pl>