

Will optical modules be replaced in the future





Will optical modules be replaced in the future

LightCounting



Where co-packaged optics (CPO) technology stands in

Market research firm LightCounting also predicts that optical modules will continue to account for the majority of optical links in data centers throughout

Optical Component Startup Tracker

The number of venture-backed optical component startups has exploded - the Optical Component Start-Up Tracker identifies these companies

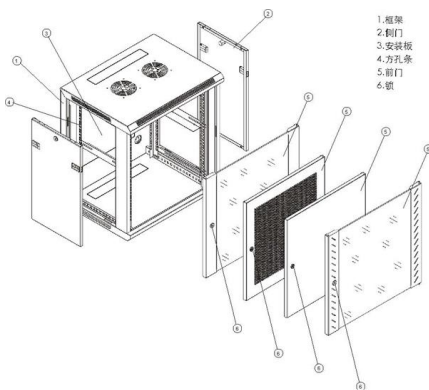


What Is an SFP Module? -- Complete Guide to SFP, SFP+ & SFP28

? What Is an SFP Module? An SFP module (Small Form-factor Pluggable) is a removable, standardized transceiver that plugs into an SFP cage or slot on networking devices such as

OFC 2025: Hollow core fiber hype stands out amid the

There were many 1.6Tb optical modules on show at OFC. Even if these modules are some way off deployment, it shows that the industry is already

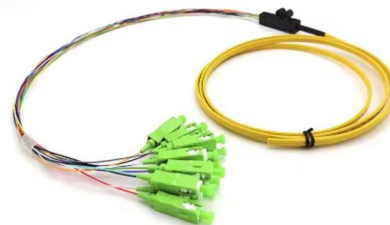


McKinsey Direct Opportunities in networking optics

Opportunities in networking optics: Boosting supply for data centers Potential shortfalls in networking optics supply could hinder data center and AI expansion. How can players boost supply and seize

When Light Replaces Copper: Lumentum (LITE) -- The Optical Heart

Nvidia's strategic investments in Lumentum highlight the shift towards optical interconnects in AI. Lumentum's vertical integration, spanning InP wafer fabs to optical modules and



Lumentum Orders Booked Through 2028: Can Optical Communications Replace

Optical communications are emerging as the next AI computing infrastructure frontier, driven by data interconnection bottlenecks. Lumentum's order book is full through 2028, reflecting



Optical Communication Industry Trends



2026: AI, 800G/1.6T Optical

Explore optical communication industry trends in 2026, driven by AI infrastructure, 800G and 1.6T optical modules, silicon photonics, and next-generation data center connectivity solutions.



All AI Data Center Interconnects Will Be Optical Within 5 Years

CMOS execs need to understand optics and how to integrate with it. Optics is taking over all high-bandwidth interconnects in the data center. GPUs/XPUs, switches, and other devices will

Co-Packaged Optics -- a deep dive , APNIC Blog

The optical engine of a transceiver -- whether co-packaged or part of a pluggable module -- typically includes an electronic integrated circuit (EIC) and



Cisco Touts Co-Packaged Optics Future with Demo

Cisco touts its co-packaged optics module with pluggable light sources to drastically reduce switch power and increase serviceability



The Third Time Will Be The Charm For Broadcom

Importantly, an 800 Gb/sec port on the CPO consumed about 6.4 watts, compared to somewhere around 16 watts to 18 watts for regular pluggable



High-Speed PCB Solutions for 400G and 800G Optical Modules

This guide explains the key PCB technologies, materials, manufacturing processes, and cost considerations for 400G and 800G optical modules in 2026.



The Evolution of Optical Modules: Powering the Future

This article takes a deep dive into the world of optical modules, exploring their evolution from 400G to the mind-boggling 3.2T, and unpacking the

Product Catalog



Development Trends in Optical Module Technology:

Check the latest developments in optical module technology, focusing on key advancements such as SiPh, Coherent Technology, LPO, LRO, and CPO.



Embedded Optical Modules Expected to Grow 50% CAGR by 2033

Embedded optical modules are about to shake up the future of computing. They promise wild growth and performance leaps in data transport and AI processing. This blog digs into how

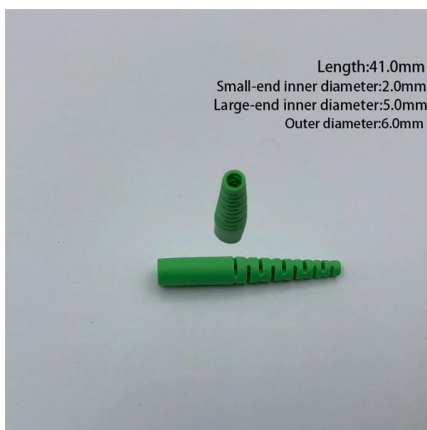


OFC 2026 Heralds Optical Shift for AI Factories

The Optical Fiber Communications Conference (OFC) in Los Angeles this week gives a view of the optical technologies that will form the basis for future networking for AI

2026 Trends and Challenges in Photonics & Optical I/O

Explore 2026 photonics and optical I/O trends shaping AI infrastructure, from in-package optics to test and yield challenges impacting next-generation data center



Pure Fi Unveils New Pro HDMI 2.1 Active Optical Cable

Pure Fi unveiled the Pure Fi Pro HDMI 2.1 Active Optical Cable (AOC). The cable features a modular design for easy installation and a CL3 rating



Fiber optics for data centers: the state of the art in 2025

By 2025, 800G optical modules are no longer future technology--they represent the default choice for new buildouts in AI data centers and hyperscale cloud networks.⁵ Explosive AI



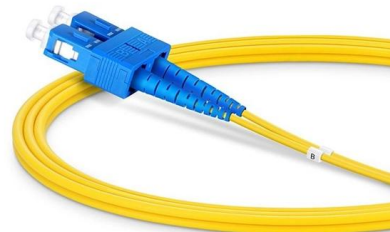
Beyond Chips: Unveiling the Future of the Global Silicon

SemiVision Research has released an updated version of the optical module supply chain analysis. The new report primarily categorizes optical



Optical Distribution Frame (ODF) in Telecom: Types & Uses

An Optical Distribution Frame (ODF) is a specialized enclosure designed to manage, connect, protect, and distribute fiber optic cables in telecom and data networks. Think of it as a



The Technological Evolution and Application Trends of

Future optical modules will continue evolving toward greater density, higher speeds, affordability, extended reach, and ease of maintenance. With



The Future of Gigabit SFP Modules: Exploring How

Dive into the world of Gigabit SFP Modules, the compact giants revolutionizing networking. From their inner workings to diverse applications, we



Optical Transceiver vs. Fiber Optic Module: What's the Difference

Introduction Engineers, purchasing managers and installers often see the terms I-Transceiver, optical module and fiber optic module used interchangeably -- and that causes confusion. This article

The Silicon Photonic Shift: Why Co-Packaged Optics (CPO) is the

The Upgrade Risk: The downside is the "Upgrade Tax." With pluggables, you could upgrade optical modules without changing the switch. With CPO, the optics and switch are married.



Optical Module Market Trends & Future Outlook , AI Infrastructure

The optical module market is not just growing; it is evolving, innovating, and enabling the future. The next decade will be transformative, and the importance of optical modules in shaping that



Contact Us

For datasheets, pricing, or custom high-speed optical interconnect solutions, please visit:

<https://www.syropy.com.pl>