

Why is the fiber optic light on my router dim

8-Port PLC Fiber Splitter Box

12-Port SC Fiber Splitter Box

Size: 235*215*75mm
Material: ABS, IP65,





Overview

If OFF: The router is not powered — check the socket, adapter, or power cable. Router status lights, often referred to as LED indicators, are small lights on the front panel of your router. The LEDs on your modem, optical network terminal (ONT), router, or modem/router combo (gateway) are most likely blinking because they're communicating what the device is doing, or there's an error. Whether your modem is blinking orange, your router has a solid red light, or you are staring at a mysterious "DS" indicator, you will find the answer below.



Why is the fiber optic light on my router dim



CMU School of Computer Science

å 10 ä ,EURå fä ,? 10 ä ,EURç(TM)¾4 100
ä ,EURç(TM)¾4å¸s 100 ä ,EURå f 1000 ä ,EURå
få¸s 1000 ä ,EURâ--<ä ,EUR 101
ä ,EURç(TM)¾4é>¶ä

Why Your Modem and Router Lights Are Blinking

The internet light, also sometimes labeled WAN or PON (fiber only) or with a globe icon, signifies a connection to the internet. The internet light usually appears right after the upstream data



Red LOS came on and I don't know how to fix it? (Optic

Issue was that they used a shitty fibre coupler instead of properly splicing the cable or something like this (don't understand fibre too much). They came back with



Modem & Router Lights Explained , BroadbandSearch

Modem and Router Lights Meaning: Your 2026 Quick Troubleshooting Guide Your modem and router lights can tell you a lot about your internet. Learn what they mean and how to



What do the lights on my router mean?

What do the lights on my router mean? If your router light is flashing, this means that the service is initialising or that data is being exchanged (i.e. your broadband service is currently being used). A

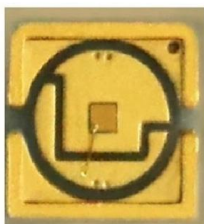
How To Fix Red Light On My Router

How to Fix Router Red Light? Restarting or resetting the router is often all that's needed to fix whatever is causing the red light. It's worth trying these



What Do the Lights on My Router Mean?

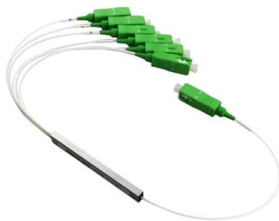
The blinking lights on your router may seem trivial, but they are important signals that offer critical information about the state of your network and





Router Showing a Red Light? Try These 6 Fixes

A router showing a red light can mean different things, like a service outage, misconfiguration, or loose connection, all of which can lead to a broken

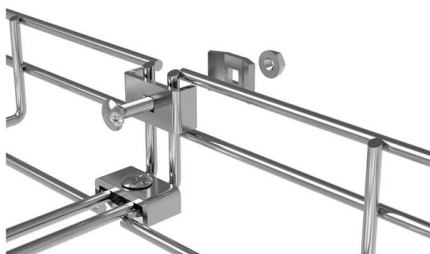


Fix Fiber Issues Fast: Your Ultimate HomeLinkd Guide

Why Is My Fiber Optic Internet Not Working? There are several reasons why your fiber optic internet may not be working, including issues with your modem/router

What the LED lights mean

The tables in this article provide detailed information about the possible appearances of the LED lights on each device, the possible causes of each state, and what you should do.



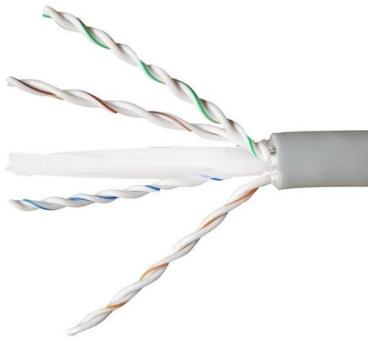
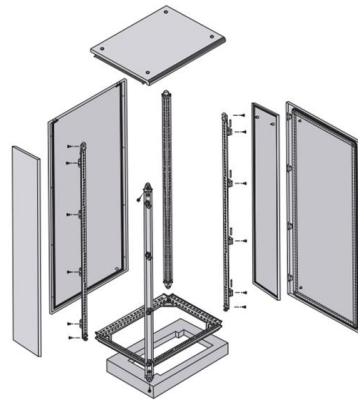
Why choose fiber optic over 5g for business internet

Explore the factors to consider when choosing between fiber optic and 5G for business internet. Make informed decisions for your connectivity needs.



What to Do When the LOS Light Blinks Red and How to

Few things are as frustrating as your internet going down, especially when you notice the ominous red blinking LOS (Loss of Signal) light on your



How To Fix Orange Light On My Router

An orange light on the router can indicate both good and bad things depending on the exact LED, router manufacturer, and model in question.

Why Is My Fiber Internet Not Working , Brightspeed

When experiencing issues with your fiber internet not working, use Brightspeed's troubleshooting guide . Find quick fixes for slow speeds, outages, and more!



Why Your Modem and Router Lights Are Blinking

Learn what all those lights on your modem and router actually mean and how you can use them.

Router Blinking Red/Orange: Meaning and



How to Fix

Router Blinking Red/Orange: Fix no signal or partial connectivity with cable checks, reboots, and advanced resets. Includes LOS fiber and Spectrum tips.



Why Are My Modem and Router Lights Blinking (Causes)

Why are your modem and router lights blinking? Learn the common causes, what each light means, and easy fixes to quickly get your internet

What Do the Lights on My Router Mean?

Solid Green or Blue: The router has successfully connected to the DSL or fiber line, and the internet connection is active. Flashing Green or Blue:

Focus creates quality products



Modem & Router Lights Explained , BroadbandSearch

The PON or optical light is your most important ONT indicator -- it tells you whether the fiber cable itself is delivering a signal from your provider's network.



Modem Router Lights Meaning: Complete Guide to

Decode modem router lights meaning with our complete guide. Learn what blinking patterns and colors indicate, troubleshoot connection issues, and fix

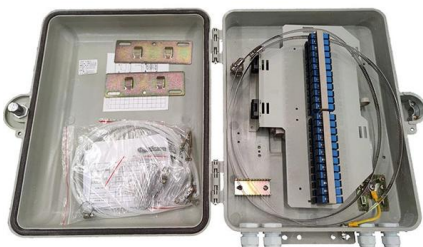


Light on Fios router is dim and white. What does this mean

Light on Fios router is dim and white. What does this mean? I've recently noticed that the light on the front of my fios router has changed from a bright solid white to a dim but still solid white. I have no

What Do the Lights on My Fiber Equipment Mean?

Not sure what the lights on your fiber equipment mean? This guide explains each status light and how to troubleshoot common issues.



LED Indicators on a Fiber Router: What Do They Mean?

Understanding LED Indicators on a Fiber Router
Let's break down what the common LED lights on a fiber router mean and how they behave: 1. POWER Normal: Solid/stagnant light.



What do the lights on my router mean?

A solid green or orange light means that the service is up and running but is not being used. A red light or light (or if the light itself is off) usually means that a particular service is not working.



Why is the router light blinking?

In this article, we'll unravel the curious topic of router LED lights and their blinking, along with possible causes and interesting facts.

Modem & Router Lights Meaning: What Every LED Color Means

If you have ever glanced at your modem or router and seen an unfamiliar blinking light, you are not alone. Those small LEDs on the front of your equipment are actually telling you exactly



7 Easy Methods to Fix the Red Light on Router

When the Internet light on your router is red, there is a problem with our internet connection that needs to be fixed as soon as possible.



Contact Us

For datasheets, pricing, or custom high-speed optical interconnect solutions,
please visit:

<https://www.syropy.com.pl>