

# **Why do switches connect to fiber optic cables**





## Overview

---

Traditionally, network switches have been connected using copper cables, but with the increasing demand for high-speed and reliable connectivity, fiber optic cables have gained prominence. This article aims to provide a comprehensive understanding of how network switches are connected to fiber. Moreover, when it comes to bandwidth, no currently available technology is better than single-mode fiber. Q: Why is installing a PoE switch in a network system advantageous?

Q: What criteria should I consider when comparing eight and larger port switches like a 24-port switch?

Q: How does a 10-gigabit switch impact modern networks?

Q: How do PoE IEEE standards affect switch selection?

Q: Why is Netgear. The switch receives data packets from one input fiber optic cable and forwards them to the appropriate output cable based on their destination addresses.



## Why do switches connect to fiber optic cables

---



### Fiber Optic Connector Types: A Beginners Guide

The fiber connector types, sometimes referred to as terminations, link fiber optic cables together through terminals, switches, adapters, and patch

### Understanding SFP Switches: The Essential Guide to Fiber and

A: An SFP switch accepts Small Form-Factor Pluggable (SFP) modules, enabling fiber optic and Ethernet connections and offering better flexibility and scalability than traditional wired



### Do You Need a Modem for Fiber Internet?

Unsure if you need a modem for fiber internet? Here's everything you need to know to ensure you get the right equipment for your fiber-optic connection.

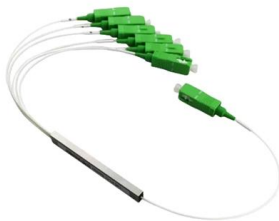
### What is a Fiber Optic Switch?

In summary, a fiber optic switch is an essential component of a fiber optic network, enabling efficient management of data traffic and ensuring fast and reliable



### 6 Strand Single Mode Outdoor Fiber Optic Cable Buying Guide

Choose 6 strand single mode outdoor fiber optic cable by OS2 fiber, jacket, strength member, water blocking, drum length, and installation.



### Fiber Optic Cable Types: A Complete Guide

The plethora of fiber optic cable types can seem overwhelming, but choosing the right cable for the job is important.



- ✓ Slow Axis Aligned (0°) - for standard sensing applications
- ✓ Fast Axis Aligned (90°) - for special modulation applications
- ✓ 45° Axis Aligned - for depolarizer applications



### Latest

Liaison Connect Event Wraps in What is Hoped to Be First of Many More Gatherings The event marked a major milestone for the group as team members from across



## Top 10 Fiber Optic Cable Manufacturers in 2025: Who to

Finding the best manufacturer requires balancing quality and cost. This guide reveals the Top 10 Fiber Optic Cable Manufacturers in 2025, and



Ordering information

NO.	1	2	3	4	5	6
Model	SP2402	SP2402	SP2404	SP2401	SP2402	SP2404
Product name	Patch Panel	Patch Panel	Patch Panel	Patch Panel	Patch Panel	Patch Panel
Illustration						
HU	1	2	4	1	2	4
Maximum number of ports	144	288	576	144	288	576
Product size (including modules and cables)	482.8*302*74 mm	482.8*302*74 mm	482.8*302*177 mm	482.8*302*74 mm	482.8*302*74 mm	482.8*302*177 mm
Standard color code	RAL9005	RAL9005	RAL9005	RAL9005	RAL9005	RAL9005
Inventory	2	2	2	2	2	2

## 8 Reasons Why Your Internet is Slow (and How to Fix It)

Having a slow internet connection can be frustrating. Here are eight potential reasons why your internet is running slowly, plus how to speed it back up.

## Connecting Network Switches via Fiber

Connecting Network Switches via Fiber As network speeds continue to advance from 1 Gb and beyond, connecting network switches via copper limits data speed and



## How To Use A Fiber Optic Media Converter In Your

In most cases, fiber optic media converters convert between copper and fiber optic cables. This allows you to connect devices that use different types

## Fiber Patch Cables Explained 2025: Types,



## Connectors,

In a modern data center, every high-speed optical link depends on the right fiber patch cable. These short fiber optic cords connect transceivers,



## Fiber-optic Switches - technologies, performance

Fiber-optic switches generally allow for rerouting optical signals in fibers, mainly in optical fiber communications.



## What is a 10G SFP+ Switch and How to Use It?

Pre-terminated Fiber Optic Cables: 100% factory-terminated and tested cables that connect your network devices over long distances. 10G Fiber



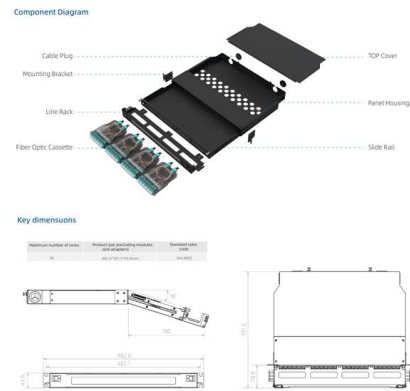
## The Ultimate Guide to SFP Modules (2026): Types,

What is an SFP? SFP (Small Form-factor Pluggable) is a compact, hot-pluggable network interface module used to connect network devices (switches, routers,



## Fiber Optic Color Code: The Ultimate TIA-598-C Guide

Master the TIA-598-C fiber optic color code standard. Read our complete guide and use our free interactive calculator to easily identify 1-144 core cables.

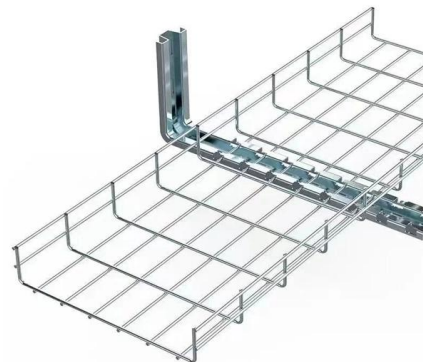


## Patch Panels: A Complete Guide

Patch Panel Performance Next, you need to look at the cable type supported by your patch panel and decide what kind of performance you want

## SFP+, XFP, QSFP+, DAC Twinax Cable 10Gtek Transceivers Co., Ltd

DAC Twinax Cable Maker. CE, FCC, RoHS, ISO9001 Certified. Professional Manufacturer focusing on SFP+ Cables, QSFP+ Cables, MiniSAS Cables, QSFP Cables, XFP Cables, CX4 Infiniband Cables



**HIGH-PERFORMANCE FIBER OPTIC MECHANICAL SPLICE**

Suitable for FTTx butterfly type cable (square & circle)

APPLICATIONS:

- Patch panels
- Distribution frames
- FTTH Outlets
- LAN environments

## Fiber testers : Equipment and tools , Fluke Networks

Fiber testers and how to use them A guide to fiber optic testers, tools, and troubleshooting Fiber optic cabling is the high-performance core of today's

## Fiber-optic cable



A fiber-optic cable, also known as an optical-fiber cable, is an assembly similar to an electrical cable but containing one or more optical fibers that are used to carry



### How to Connect Multiple Ethernet Switches Using Fiber Optic Cables

It can provide significantly higher bandwidth and carry more data than traditional copper cables, which allows for faster data transmission and supports high-speed networking applications in

### 3 FAQs of Connecting Switches by Fiber Optical Ports

Switch optical port intercommunication means that the optical fiber ports of two switches are connected to each other to achieve the purpose of



### What is SFP Port? Everything You Need to Know

Most modern networking devices, such as Ethernet switches, servers, routers, network interface cards, and fiber media converters, generally



## Why Large AI Clusters Need Optical Shuffle Architecture for

Optical Shuffle architecture is gradually becoming a crucial network foundation for building ultra-large-scale AI GPU clusters. Its underlying key lies in Fiber Shuffle capability.



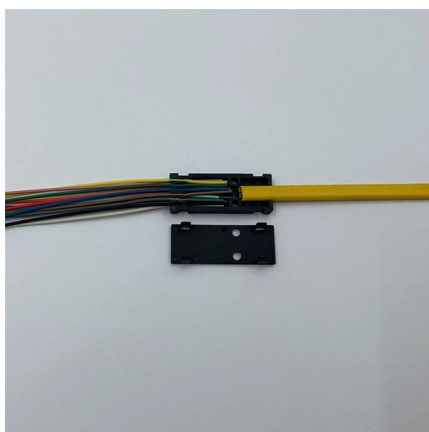
## Fiber Optic Switch: A Comprehensive Guide

Fiber optic switches are an essential component of modern communication systems. They provide a way to control the flow of light in fiber



## Hyperoptic , Full Fibre Optic Broadband Provider

Hyper Fast & Hyper Reliable Full Fibre Broadband. Accelerate with equally fast upload and download speeds on our 150 Mb to 1Gb packages. Check out our



## Security Camera System setup with Fiber Optic Cable

You can combine PoE switches with available fiber optic uplink connections together to form a heterogeneous system that takes advantage of



## Cables, Adapters, & Docking Stations: USB4, USB-C,

Cable Matters provides a large selection of innovative cables and accessories, we also educate consumers on the best product offerings. USB4, USB C,



## Contact Us

---

For datasheets, pricing, or custom high-speed optical interconnect solutions, please visit:  
<https://www.syropy.com.pl>