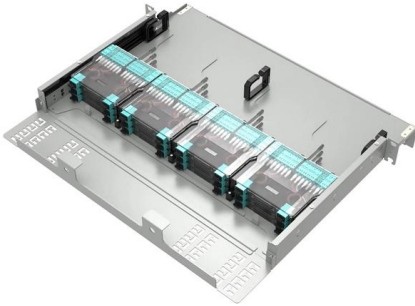


Wholesale Price of SFP Optical Receiver





Wholesale Price of SFP Optical Receiver



How to Use SFP Optical Transceivers: A

Harnessing the power of CWDM technology, the SFP optical transceiver allows the convergence of distinct wavelength signals through an

Wholesale Optical Receiver Price WDM Technology Enabled

An optical receiver is a critical component in fiber-optic communication systems that converts incoming optical signals into electrical signals for processing. The performance, sensitivity, and application



SFP modules in various designs

SFP Transceiver Modules Here you can find SFP, GBIC and all other types of modules for multi-mode as well als single-mode fiber-optics, and even Copper Ethernet (1000Base-T and 10GBase-T). We

SFP Module Prices Comparison by Top 5 SFP

This post hence illustrates the SFP module price comparison by researching top competitors' SFP price of our brand. The author hopes it can help customers to



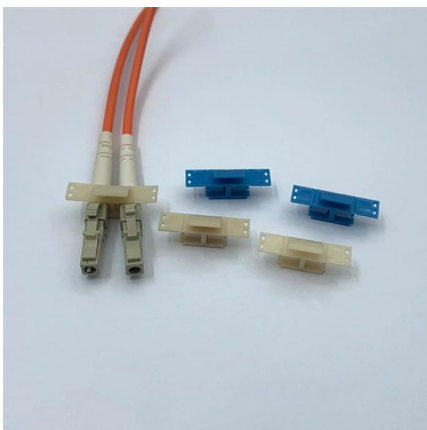
Wholesale Sfp Receiver, Wholesale Sfp Receiver Manufacturers

Wholesale Sfp Receiver - Select 2026 high quality Wholesale Sfp Receiver products in best price from certified Chinese 3g Video Sfp Receiver manufacturers, Optical Transceiver Module suppliers,



Optical Transceiver Modules, HUAWEI Cisco SFP SFP+ QSFP Module Price

Get Optical Transceiver Modules at Best Price, Cisco and HUAWEI SFP Module, 10G SFP+ Module, 25G SFP Module, 40g QSFP Module, 100G Module, 400G Module, SFP Cable, DAC Cable, AOC



Top SFP Suppliers: Source Reliable Optical Transceivers Globally

Need certified SFP module suppliers? Compare manufacturers offering 10G/1G transceivers with DDM support. Request quotes from verified vendors today!



Single Mode SFP Transceiver , Optcore

Single Mode SFP Module T he single mode SFP module is one of the most common SFP transceiver types; sometimes, we refer to it as an SMF SFP. Equip with a

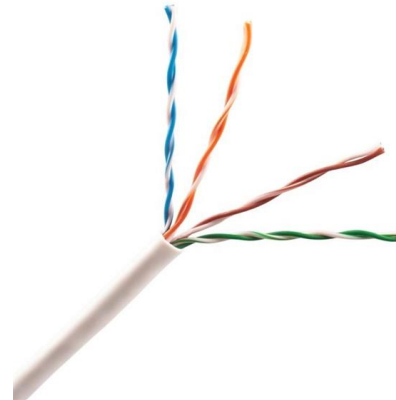


Sfp Optical Transceiver

Our 25G SFP transceivers provide a balance of speed, efficiency, and reliability for data centers, enterprise networks, and telecom infrastructure. These modules

SFP Store

Buy British Fibre Optic Transceivers! At SFP Store, we supply Fibre Optic SFP Transceivers, DACs, AOCs, Patch Leads and more all from our



Wholesale Sfp Module Products at Factory Prices from Manufacturers

Find wholesale sfp module manufacturers from China, India, Korea, and so on. Source good quality sfp module products for sale at factory prices from online Chinese, Indian, Korean, and other countries!



SFP Fiber Optic Transmitters, Receivers, Transceivers - Mouser

Mouser offers inventory, pricing, & datasheets for SFP Fiber Optic Transmitters, Receivers, Transceivers.



SFP Module Price

Find competitive sfp module prices for various optical transceivers. Our range includes 1.25G, 10G, and 25G modules with different reach and compatibility.

SFP Optical Transceiver in Chennai, Tamil Nadu , Get Latest Price

Business listings of SFP Optical Transceiver, SFP Transceiver manufacturers, suppliers and exporters in Chennai, Tamil Nadu along with their contact details & address. Find here SFP Optical Transceiver,



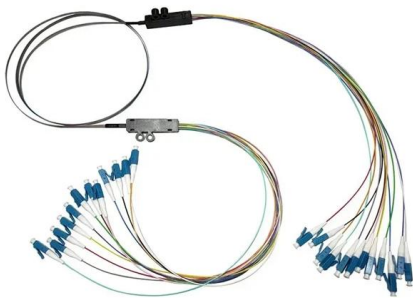
SFP Transceivers

Buy SFP transceivers at 1G, 10G, 25G, 40G and 100G speeds. Compatible with Cisco, Netgear, Juniper, Arista, Dell, HP Aruba/Procurve, H3C and more.



sfp optical transceivers for sale

All Verified sfp optical transceivers suppliers & sfp optical transceivers manufacturers have passed our Business License Check, they can provide quality sfp optical transceivers products.



» Worldwide Supply SFP

Whether your manual requires an SFP or "Mini-GBIC" transceiver, Worldwide Supply has what you need. Buy SFP transceivers at up to 90% off OEM prices with guarantees that all SFP transceivers

SFP Fibre Optic Transmitters, Receivers, Transceivers

SFP Fibre Optic Transmitters, Receivers, Transceivers are available at Mouser Electronics. Mouser offers inventory, pricing, & datasheets for SFP Fibre Optic Transmitters, Receivers, Transceivers.



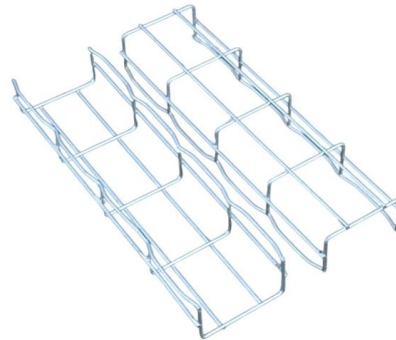
10G SFP+ Optical Transceivers , Transceiver Module

FS 10GbE SFP+ module solutions provide a wide variety of 10 Gigabit Ethernet connectivity options for data centers, enterprise wiring closets, Internet Service



Sfp Wholesale Suppliers, Manufacturers & Distributors , Bulk Prices

Buy premium Sfp in bulk from verified wholesale suppliers and manufacturers. Best prices, bulk discounts, trusted deals at go4WorldBusiness .



SFP Optical Transceiver Price in India

Find verified SFP optical transceiver manufacturers, suppliers & dealers in India. Get the latest SFP price in India now! Connect directly for best deals.

Optical Transceiver Module

Fiber optic module manufacturer,ETU-Link supply full model optical transceivers,including standard 8g/10g/25g/40g/100g sfp+ optical modules and



Optical Module & Fiber Optic SFP Module Factory Manufacturer

We're well-known as one of the leading optical modules manufacturers and suppliers in China. If you're going to wholesale bulk high quality optical modules with competitive price, welcome to get pricelist



SFP Optical Transceiver Wholesalers & Distributors in India

Find here SFP Optical Transceiver, SFP Transceiver wholesalers & distributors in India. Get contact details & address of companies engaged in wholesale trade & distribution of SFP Optical



Contact Us

For datasheets, pricing, or custom high-speed optical interconnect solutions, please visit:
<https://www.syropy.com.pl>