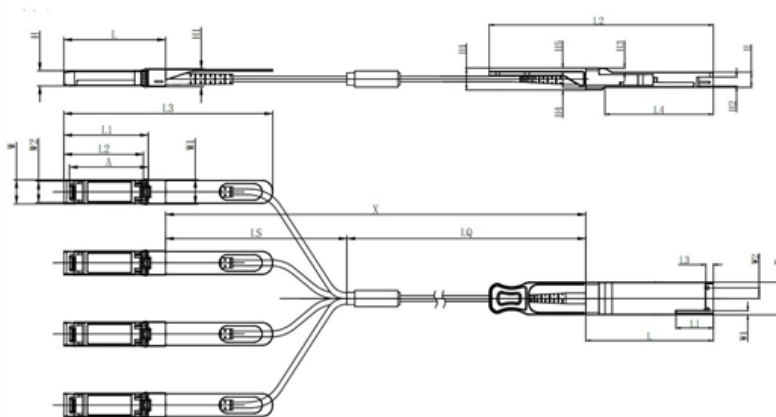


Which supplier of optical fiber fusion splicing machines is the best



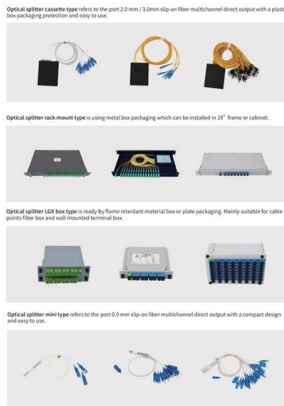
Unit mm

QSFP28	L	L1	L2	L3	L4	W	W1	W2	H	H1	H2	H3	H4	H5	H6
Max	72.2	-	128	4.35	61.4	18.45	-	6.2	8.6	12.4	5.35	2.5	1.6	2.0	-
Type	72.0	-	-	4.20	61.2	18.35	-	-	8.5	12.2	5.2	2.3	1.5	1.8	6.55
Min	68.8	16.5	124	4.05	61.0	18.25	2.2	5.8	8.4	12.0	5.05	2.1	1.3	1.6	-

SFP28	L	L1	L2	L3	W	W1	W2	H	H1	A
Max	57.6	47.7	44.55	119.9	13.8	14.0	12.3	8.7	10.3	45.25
Type	57.4	47.5	44.35	117.9	13.55	13.8	12.1	8.5	10.1	45
Min	57.2	47.3	44.15	115.9	13.3	13.6	11.9	8.4	9.9	44.65



Which supplier of optical fiber fusion splicing machines is the best



Fusion Splicing vs. Mechanical Splicing for Optical Fiber

In addition, fusion splicer devices have been designed for the field technician applications, smaller in size and easier to carry. Takeaway Thoughts To

10 Best Fiber Optic Fusion Splicer Machines (April 2026) Expert Reviews

Discover the 10 best fiber optic fusion splicer machines (April 2026). Our expert reviews highlight reliable, high-precision splicers ideal for efficient and durable fiber connections.



The Ultimate Guide to Fiber Optic Fusion Splicers: How to Choose

In today's high-speed digital world, reliable fiber optic networks are the backbone of global communication. Whether you're working in telecommunications, data centers, or military

Fiber Optic Cable at INR 7/meter , Fiber Optic Cable in New Delhi , ID

Fiber Optic Cable - Buy Fiber Optic Cable at best price of INR 7/meter by S.G.Enterprises. Also find product list from verified suppliers with contact number , ID: 2857627477188



Best Splicing Machines of 2024 , Top 5 Fiber Fusion Splicers for

Best Splicing Machines of 2024 , Top 5 Fiber Fusion Splicers for Professionals In the world of fiber optics, the quality and efficiency of splicing machines are crucial. Whether you're a

Intelligent Optical Fiber Fusion Splicer Single Core Optical

Buy Intelligent Optical Fiber Fusion Splicer Single Core Optical Fusion Splicing Machine 4 Motors Automatic FTTH Fiber Fusion Splicer FC-6S Optical Fiber Welding Splicing Machine online on



What is Ribbon Fiber Optic Cable? A Guide to Its Benefits

Explore what ribbon fiber optic cable is. Our guide covers its flat structure, types, and key benefits like mass fusion splicing and space-saving

CT-114 CT-115 and CT-116 Fiber Cleavers



Fujikura CT-114, CT-115, CT-116 Fiber Cleavers, features high-quality, large diameter optical fiber cleavers, built to achieve low cleave angles with pristine



- IP65/IP55 OUTDOOR CABINET
- OUTDOOR CABINET WITH AIR CONDITIONER
- OUTDOOR ENERGY STORAGE CABINET
- 19 INCH

Fiber Optic Specialist

The Fiber Optic Specialist on the SPARC Assembly Team is an exciting and evolving role with a responsibility for performing all aspects of optical fiber work such as fiber handling, splicing

Customized ai-5 Fiber fusion splicer optic fiber splicing machine FTTH

Product Description Customized AI-5 Fiber Fusion Splicer - FTTH Optical Fiber Welding Machine Key Features High-performance fiber fusion splicer for core/cladding applications Ultra-fast splicing time



Best Optical Fiber Fusion Splicer Comparison

View Deal Komshine FX39 Fusion Splicer Fiber Optical 6s Fast Splicing, 6 Motors Touch Screen Core Alignment Fiber Splicer with 7800mAh Large Battery Capacity+5000 Electrodes

How to Choose the Best Optical Fiber



Fusion Splicer?

What Is Fusion Splicer? The fusion splicer is used for splicing two optical fibers end-to-end by fusion. It is an indispensable tool for fiber OSP and



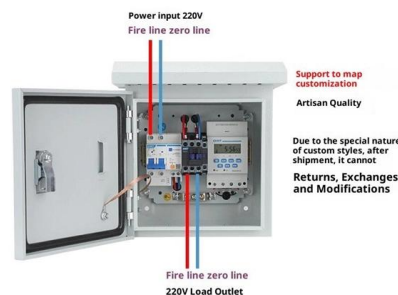
Fiber Optic Cable Splicing Explained

Fiber Optic Center, Inc., (FOC), is an international leader in distributing fiber optic components, equipment, materials, and supplies known for helping

Best Fusion SplicerTop 10 Best Fusion Splicer Splicing

The Fusion Splicer is used for splicing two optical fibers end-to-end by fusion. In the market, the famous brands for fusion splices are Fujikura,

Product Wiring Diagram



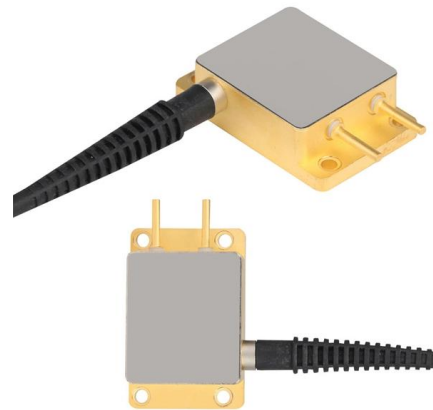
Fiber Optic Fusion Splicers , Fiber Splicing Machine Kit

Best fiber optic fusion splicer machines at fiberoptic.is. Featuring core alignment and automatic fusion splicers for precise telecom and network fiber splicing.



10 Best fiber splicer

Fusion Splicer AI-6A Fiber Optical Fusion Splicer with 8S Splicing & 18S Heating, Core Alignment Fiber Splicer with 5200mAh Large Battery Capacity, Automatic FTTH Precision



- 100KWH/215KWH
- LIQUID/AIR COOLING
- IP54/IP55
- BATTERY 6000 CYCLES

Top 10 Best Fusion Splicer. Top Rated Optical Fiber

You will have confusion in your mind on how to choose the right splicing machine for fiber optic cable? Equipment like the tile hole saw fusion

Top 100 Fusion Splicer Manufacturers in 2026 , ensun

A fusion splicer is a specialized device used to join two optical fibers together through an advanced process known as fusion splicing. This technique involves aligning the fibers precisely and applying



Best Fiber Optic Splicing Machines 2025

Discover the top fiber optic splicing machines of 2025. Compare Fujikura, Comptco, and AI-powered models. Click to find the best fit for your network project.

Best Fusion Splicer Comparison

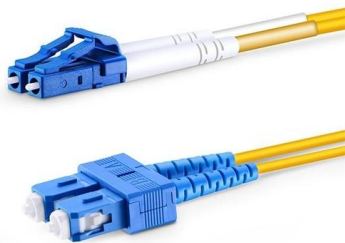


Easily compare & choose from the best Fusion Splicer for you. Don't buy a Fusion Splicer in the US before reading our rankings , bestchoice



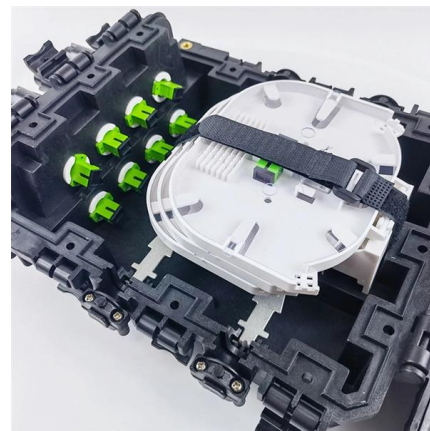
Top 6 Best Fusion Splicer Splicing Machine in 2023

In this article, we will highlight the top 6 best fusion splicers on the market. These splicers have been selected based on their performance,



Fiber Joints - connectors, alignment tolerances,

Fiber joints are permanent or removable connections between multimode or single-mode fiber ends. Coupling losses depend substantially on the used technology.



Splicing Machine Price in Bangladesh 2026

Splicer Machine Buying in Bangladesh Splicing is the most reliable way to reconnect the wires when two optical fibers are torn, and the splicer machine does just that.



AI-6C AI-6C+ Fiber Splicing Machine 6 Motors Auto Core to Core

The AI-6C/6C+ Optical Fiber Fusion Splicer is a compact, high-performance splicing solution designed for FTTH (Fiber to the Home) deployments, security monitoring systems, and short-haul fiber projects



Best Splicing Machines of 2024 , Top 5 Fiber Fusion Splicers for

In this blog, we'll explore the top 5 fiber optic splicing machines, including the highly acclaimed FFS-7000 and FFS-9000. We'll also discuss why these machines stand out and how they

Top 10 Best Fusion Splicer. Top Rated Optical Fiber

Let's briefly introduce the best fusion splicer online in 2022. Before assessing the various options available to you as a fiber optic technician: fusion



5 Best Fusion Splicers Review & Buying Guide 2025

From budget-friendly models to professional-grade machines with advanced features, we'll help you find the best fusion splicer for your work. Let's get started with our top picks.



Top 6 Best Fusion Splicer Splicing Machine in 2023

Fusion splicers are an essential tool for fiber optic network installation and maintenance professionals. They are used to splice two fiber optic cables



Contact Us

For datasheets, pricing, or custom high-speed optical interconnect solutions, please visit:

<https://www.syropy.com.pl>