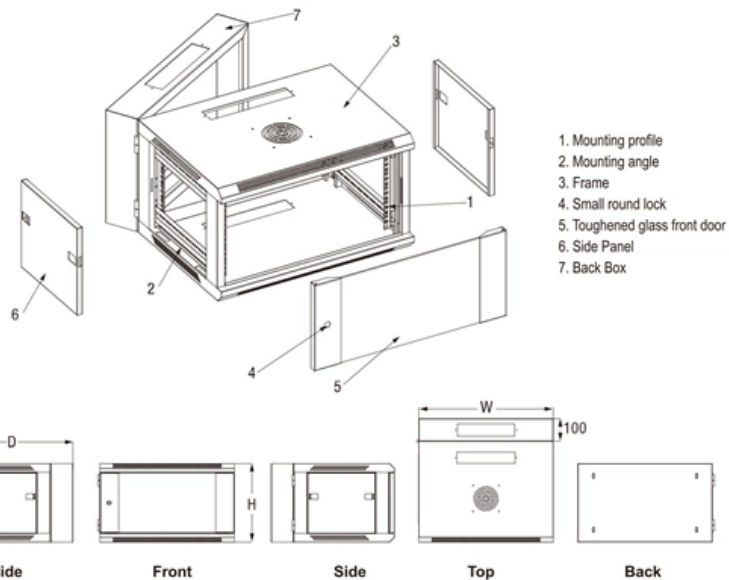


Which residential electrical distribution box manufacturer is the best





Which residential electrical distribution box manufacturer is the best?



The Ultimate Guide to Distribution Box Types

In any electrical system, the distribution box is the heart and brain, a critical component that safely manages and distributes power from the main source to

Complete Guide For Distribution Boxes Types

Distribution boxes, also known as electrical distribution boards or panels, are pivotal components in electrical systems, ensuring the safe and organized distribution of



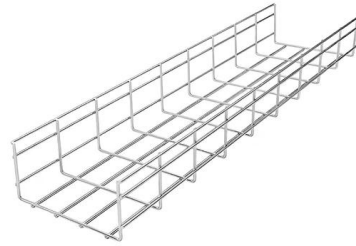
20 Best Electrical Cabinet Manufacturers in the USA

The United States is an important base for the best electrical cabinet manufacturers offering the best enclosures for residential, commercial, as well as



How to choose distribution box manufacturer in 2025

When picking a distribution box manufacturer, choose strong materials and good design. These make sure the box handles electricity safely and works well. Companies often use tough materials like



Top 6 Distribution Box Manufacturer with Innovative Features in 2025

DOHO Electric ranks among the top makers in 2025, known for fixed panel distribution boxes. The brand appears frequently alongside larger players in sales and market rankings,



How to choose distribution box manufacturer in 2025

Why good materials and design matter When picking a distribution box manufacturer, choose strong materials and good design. These make sure the box handles electricity safely and works well.



Top 10 Electrical Box Brands and Manufacturers in the

Schneider Electric offers a wide range of products and solutions, including electrical boxes and enclosures for safe and reliable power distribution, low-voltage

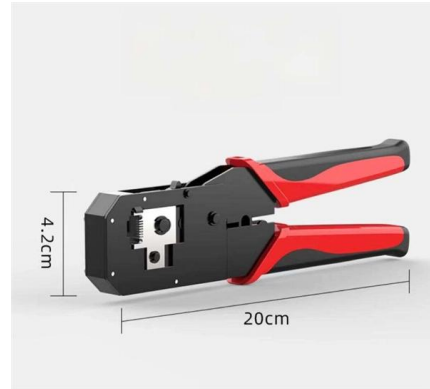


- IP65/IP55 OUTDOOR CABINET
- OUTDOOR TELECOM CABINET
- OUTDOOR ENERGY STORAGE CABINET
- 19 INCH



Top 7 Electrical Panel Brands for Homeowners in 2025

Compare the best electrical panel brands of 2024, including Square D, Siemens, Eaton, and Leviton with Castles Electrical. Get expert tips and insights



How to Choose the Right Distribution Box?

How to choose the right distribution box for a specific application is crucial for ensuring safe, efficient, and reliable power distribution. Different

Top 10 Electrical Enclosure Manufacturers Globally in 2025

Leading manufacturers are at the forefront of the global industry, providing an extensive range of enclosures tailored for various applications, from



30 Best Electrical Box Brands ~ TSCentral

Appleton Electric is a renowned residential and manufacturing goods importer and supplier. From their state-of-the-art distribution hub in Malaysia, they service consumers worldwide.

How to Choose a House Distribution Box



Choosing the house distribution box that best fits your home is important for your safety and the efficiency of your electrical system. It facilitates the flow of electricity, guards appliances, and



Residential electrical installation

Electrical equipment used in residential premises are commonly certified by third party ensuring conformity with the relevant standards. In this case, equipment shows the certification Mark

Top 10 distribution box manufacturers and suppliers you should know

The right distribution box does more than route electricity - it protects investments and lives. Whether upgrading an office building or securing a manufacturing plant, these top manufacturers combine



17 AC Distribution Box Manufacturers in 2026

This section provides an overview for ac distribution boxes as well as their applications and principles. Also, please take a look at the list of 17 ac distribution box manufacturers and their company rankings.



Our Favorite Electrical Panel Brands & Why We Love

July 15, 2021 , Cristina Dinulescu In this article, we discuss why we simply adore these three electrical panel brands and give you a bit of insight on why we love

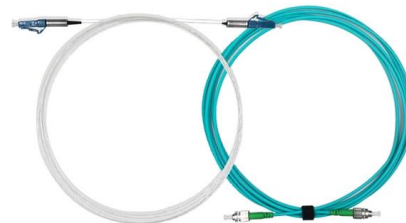


Distribution Box Electrical Best Sellers: Top Picks for 2025

Discover the top distribution box electrical best sellers for home and industrial use. Waterproof, durable, and cost-effective solutions for every need. Click to explore high-rated options now!

Electrical Panel Brands: Which is Right for You? (2025)

Need a new electrical panel? Conductive Electrical Contracting helps you choose the best brand, including Square D, for your needs in 2025.



Power Distribution Box Manufacturer and Supplier

The distribution box acts as a load center and an electrical power distributor. A distribution box, also known as a distribution board, panel board, breaker panel,



Best Electrical Panel For House (2026 Update)

By Social Moms Stuff April 3, 2026 If you're looking for the best electrical panel for your house, it's important to take a few factors into consideration before making a purchase. The electrical panel,



- 50KW/100KWH
- HIGHER POWER OUTPUT IN OFF-GRID MODE
- CONVENIENT OPERATION & MAINTENANCE
- PRE-WIRED



Top Residential Distribution Box Companies & How to Compare

The residential distribution box sector is evolving rapidly, driven by smart home integration, safety standards, and energy efficiency demands.

Best Distribution Box Manufacturers

Provides engineering, construction, and electrical solutions. Also offers distribution boxes tailored to specific industry needs. Schneider Electric SE A



Top 10 Power distribution box manufacturers in the World 2025

What should I consider when choosing a power distribution box manufacturer? When selecting a manufacturer, consider their reputation, product quality, compliance with safety standards,



The Ultimate 2026 Guide to the Top 10 Power

Discover the top 10 power distribution box manufacturers of 2026. Our ultimate guide ranks the best PDB suppliers and helps you choose the right partner for your needs.



How to Choose a House Distribution Box , CHINT global

This article guides you through selecting a distribution box that is both affordable and safe, emphasizing key features, configuration, and practical

Top 6 Distribution Box Makers with Innovative Features in 2025

See the best distribution box manufacturer picks for 2025, featuring top brands with advanced safety, smart features, and global certifications.



Best Residential Electrical Panels for Safe, Reliable

Best Residential Electrical Panels for Safe, Reliable Home Power Distribution November 25, 2025 Choosing the right residential electrical panel is



Contact Us

For datasheets, pricing, or custom high-speed optical interconnect solutions, please visit:

<https://www.syropy.com.pl>