

Which port should the telecom splitter connect to





Overview

The DSL side is connected to the modem, which converts the digital signals into data that can be transmitted over the internet. While the concept sounds simple, there is often confusion around how Ethernet splitters work, what they can realistically do, and when they should be used instead of other networking. This guide explains your options and helps you choose the best solution for your. Primary splitter output: Use a fiber patch cable to link one output to the input of the secondary splitter. A POTS splitter (also called a splitter) is installed on a telephone line that is connected to both data (high-frequency) and voice (low-frequency) devices.



Which port should the telecom splitter connect to



Ethernet Splitter - Everything You Need to Know

The splitter typically has one input port and two or more output ports. It sends identical data to all of the output ports by duplicating a single Ethernet

Fiber Optic Splitter: How It Works & Types Guide

This guide demystifies fiber optic splitters, explaining their design, operating principles, types, key specifications, and real-world applications.



When you use a rj45 splitter only the pairs that connect to pins 1,2,3,6 are used. The center 2 which are pins 4,5 are not and those are the most commonly used for phones. What this

How to Connect a Splitter to Another Splitter: A

In this guide, we'll explain how to safely connect a splitter to another splitter, covering both fiber optic and coaxial setups. We'll also share tips to



What is an Ethernet Splitter?

Connect one end of an Ethernet cable to the router or switch and the other end to the input port. Then, connect additional Ethernet cables from the

Ethernet Splitter: How to Split Ethernet?

Ethernet splitter is an easy and convenient way to split the Ethernet connection if your router or device is far from the Ethernet with a single Ethernet cable.



Equipped with a removable **Mounting Plate** inside the enclosure, enabling customized drilling and secure component mounting.

How to Connect a Splitter to Another Splitter: A

In this guide, we'll explain how to safely connect a splitter to another splitter, covering both fiber optic and coaxial setups.





Y Splitter in Networking: Expand Your Connections

Imagine you're setting up your dream gaming setup or a home office, but you hit a snag - there's only one network cable outlet, and you have multiple

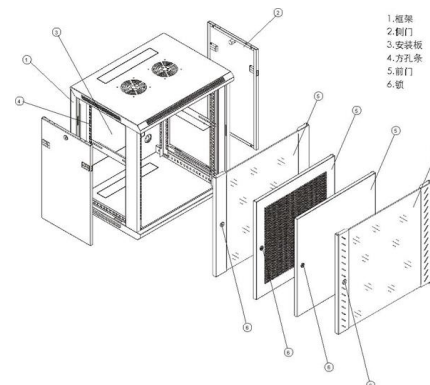


So schließt ihr einen Speedport der Telekom richtig an

Den Speedport der Telekom nehmt ihr - den farblichen Kennzeichnungen sei dank - sehr einfach in Betrieb. Identifiziert zunächst eure Anschlussart und verwendet

How to use a cable splitter for TV and internet?

How to Use a Cable Splitter for TV and Internet: A Comprehensive Guide Using a cable splitter to simultaneously distribute your internet and TV signals can seem straightforward, but



Understanding the Ethernet Splitter: A Comprehensive Guide

Connect the Splitter to the Router: Insert one end of an Ethernet cable into an available Ethernet port on your router or switch. The other extremity goes into the input port of the Ethernet

How to Connect Multiple Devices to a DSL Splitter



Learn how to use a DSL splitter to connect your modem, router, phone, and fax machine to your phone line without interfering with your DSL service.



DSL Splitter at the Router

The splitter cable will terminate at jacks rather than connecting directly to the splitter. Short modular patch cords will connect the DSL "LINE" from the jack to the splitter and the "VOICE/PHONE" side of



Ethernet Splitter 101: Everything You Need to Know

Installation and Maintenance Tips Installing an Ethernet splitter is usually straightforward. Connect the input cable to the splitter and then connect



A Comprehensive Guide to the Ethernet Splitter and Parts

An Ethernet splitter and parts enable you to connect multiple devices to a single Ethernet port, eliminating the need for additional networking equipment, which can be costly and cumbersome.



?Speedport Smart , Telekom hilft Community

Ich habe zwei Anschlüsse, einen für das Telefon und einem für das Internet. Kann ich meinen Speedport Smart über den Splitter anschließen?



How to Install & Use an Ethernet Splitter Guide -

Standard Ethernet cables contain four twisted wire pairs. A splitter separates these pairs so two devices can send data using one physical cable run.

Brauche ich einen Splitter? Welcher Router / Modem passt an meinen

Hallo liebes Telekom Team! Ich bin Neukunde bei der Telekom und möchte mir gerne meinen „Router“/DSL Modem selber kaufen. Ich bin schon im Besitz einer Firewall Appliances und möchte



Business Standard

Hier sollte eine Beschreibung angezeigt werden, diese Seite lässt dies jedoch nicht zu.



Ethernet Splitter 101: Everything You Need to Know

A typical Ethernet cable splitter works by separating the wire pairs



Splitter for Ethernet Cable: How to Use & What You Need

When you need to connect multiple wired devices like computers, printers, and IP phones, but only have one Ethernet wall port, using an Ethernet splitter or network switch can

How Do I Connect a Splitter to My Modem: An Essential Guide for

But how exactly do you connect a splitter to your modem? This article aims to provide you with an essential guide to ensure a seamless connection between your modem and splitter, allowing



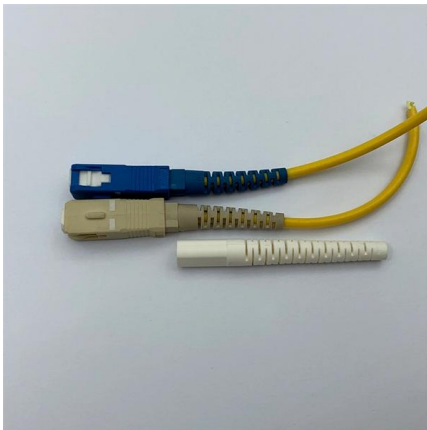
Anschließen Bei Einem Universal-Anschluss; Splitter An

Telekom Speedport W 723V Online-Anleitung: Anschließen Bei Einem Universal-Anschluss, Splitter An Die Telefondose Anschließen. Wenn Sie Nicht Sicher Sind, Welche Anschlussart Sie Gebucht



Understanding the Coax Splitter: A Diagram of

This means that as the number of output ports on the splitter increases, the signal strength available to each connected device decreases slightly. It is



Using POTS Splitters and Microfilters in a DSL Environment

This document describes splitters and microfilters and how and when to use them. POTS splitters result in the best data and voice performance when the router and the telephone are used

Contact Us

For datasheets, pricing, or custom high-speed optical interconnect solutions, please visit:
<https://www.syropy.com.pl>