

Which manufacturers produce good relay protection products





Which manufacturers produce good relay protection products



30 Best Electronic Relay Brands ~ TSCentral

Their product line includes transportation to energy, building, construction, and machine equipment. Using their goods and services, they assist you throughout the development process, from product

Top 10 Companies Shaping the Future of Protective

Discover the top 10 companies driving the protective relay market. Learn about key trends, innovations, and global market outlook through 2032.



Top Protective Relay Companies 2034 , Market Leaders & Insights

Find the right partner with our relay manufacturers list. We compare the top 10 global players on quality, support, and supply chain to simplify your

Protective Relay Key Companies & Trends Insights

Competitive Research Insights on Protective Relay market manufacturers and key industry players like Schneider Electric, Siemens, General Electric. Detailed

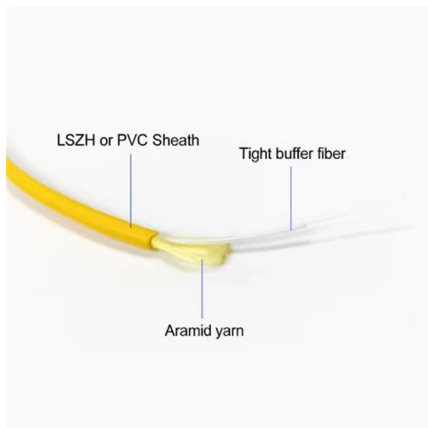
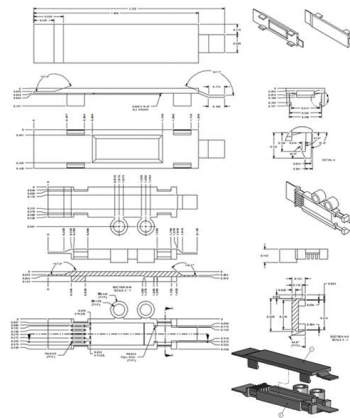


25 Power Relay Manufacturers in 2026

25 Power Relay Manufacturers in 2026 This section provides an overview for power relays as well as their applications and principles. Also, please take a look at the

44 Protective Relay Manufacturers in 2026

44 Protective Relay Manufacturers in 2026 This section provides an overview for protective relays as well as their applications and principles. Also, please take a



Top Companies in Protective Relay Industry

The research insight on Top Companies in Protective Relay Industry highlights the prominent players in the market. Get known & unknown adjacencies impacting the market for Protective Relay Market.



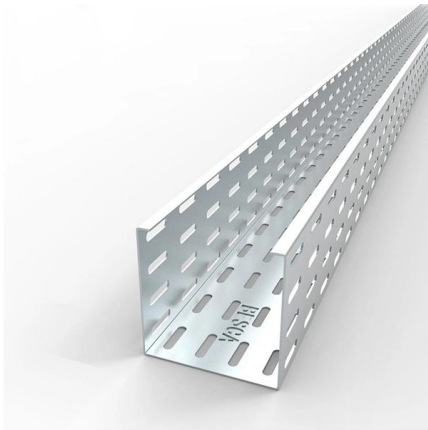
Top 10 Relay manufacturers in the World 2025

Are you curious about which relay manufacturers stand out from the crowd? Understanding the top factories can significantly impact your projects. By knowing the best options, you can ensure quality,



Power protection relay

Find your power protection relay easily amongst the 61 products from the leading brands (Littelfuse, FANOX, Jinhong,) on DirectIndustry, the industry specialist



Top 15 Relay Manufacturers of 2026

With the global relay market projected to reach USD 12.06 billion by 2030, traders and distributors need reliable manufacturers who can meet evolving



Electronic Relays Manufacturers and Suppliers in the USA

Manufacturer of digital motor protection relays for current, voltage, and power measurement. Available in 4 to 20 mA DC current supply. Features vary depending upon model, including microprocessor



Leading manufacturers of Protection Relay

This analysis covers global and regional protection relay manufacturers, their market strategies, and competitive positioning. It evaluates product launches, technological advancements, and strategic



Protection Relay Manufacturers 2026: MV Selection Guide

Protection relay manufacturers serving utility and medium-voltage switchgear must deliver proven expertise across fault detection, communication



A Detailed Review of the Top 10 Relay Protection Tester

Dive into this detailed review of the top 10 relay protection tester manufacturers worldwide. Discover their innovative technologies, product



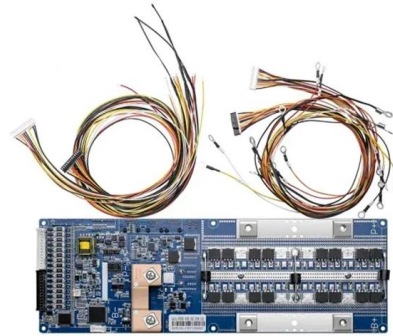
Top Companies in Protective Relay Industry

To grow their market share, these top companies in protective relay industry used techniques such as product launches, contracts, agreements, partnerships, acquisitions, investments, and expansions.



Protective Relay Market Report 2024-2030 [345 Pages]

The global market for protective relay is experiencing significant growth, driven by several key factors. Firstly, the increasing demand for reliable and uninterrupted



Protection relays -- ABB Group

ABB's smart protection technology ensures smooth and safe everyday life without blackouts. ABB released its first programmable relays based on the use of microprocessors in 1985. ABB's Relion®

Top 10 Electronic Relay Manufacturing Companies and

Relays are crucial components in modern electrical systems, used for switching and protecting circuits in various industries, from automotive to

MORE CASES PRESENTATIONS



Top 6 U.S. Relay Manufacturers Driving Innovation in 2025

Choosing the right manufacturer now requires a focus on innovation, reliability, and adaptability. With numerous suppliers on the market, it's essential



Top 25 Leading Electromechanical Relay Companies to Watch

18. Rao Electromechanical Relays Private Limited
Rao Electromechanical Relays Private Limited delivers customized relay solutions for OEMs and industrial users, focusing on quality engineering



Top Companies in Relay Industry

To know about the assumptions considered for the study download the pdf brochure HONGFA HONGFA is a global leader in the relay industry, known for its specialization in electromechanical relays.



44 Protective Relay Manufacturers in 2026

This section provides an overview for protective relays as well as their applications and principles. Also, please take a look at the list of 44 protective relay



Protective Relay Key Companies & Trends Insights

Protective Relay Industry leading manufacturers, key suppliers, competitive analysis, global leaders market trends & growth opportunities till the forecast period 2035.



36 Control Relay Manufacturers in 2026

This section provides an overview for control relays as well as their applications and principles. Also, please take a look at the list of 36 control relay manufacturers



Top 6 U.S. Relay Manufacturers Driving Innovation in 2025

The U.S. relay industry in 2025 is evolving rapidly, driven by smart electronics, automation, and renewable energy. Choosing the right manufacturer

Protection relay

Find your protection relay easily amongst the 565 products from the leading brands (Littelfuse, Sensata, FRER,) on DirectIndustry, the industry specialist for your



North America Protective Relays Companies

This report lists the top North America Protective Relays companies based on the 2023 & 2024 market share reports. Mordor Intelligence expert advisors conducted extensive research and identified these



Top 10 Power relay manufacturers in the World 2025

Power protection relay - All industrial manufacturers - DirectIndustry Product Details: Power protection relays are devices designed to protect electrical systems from abnormal variations, leakage currents,



WebiTelecomms Cabling

Contact Us

For datasheets, pricing, or custom high-speed optical interconnect solutions, please visit:
<https://www.syropy.com.pl>