

# **Which distribution boxes are equipped with surge protection**





## Which distribution boxes are equipped with surge protection

---



### What Is a Surge Protection Device (SPD)

What is SPD? The Surge Protection Device (SPD) is a protective electrical equipment that is designed to limit transient overvoltage by diverting or

### DB BOX(Electrical Distribution Box): Everything You

Another crucial function of the DB Box is surge protection. Electrical surges (often caused by lightning strikes, faulty equipment, or power outages)



### Where is the surge protective device installed in the distribution box

We will explain the assembly of the surge protector in the power distribution cabinet. The power distribution cabinet is usually equipped with air switches, leakage switches, fuses, etc. to control the

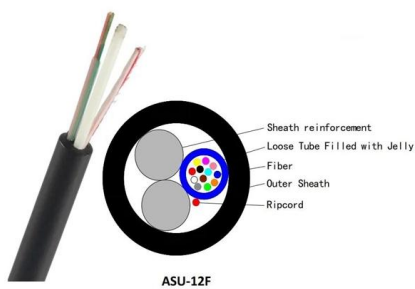
### The basics of surge protection

Type 2 surge protective devices are generally installed in sub-distributions or machine control cabinets. These SPDs must be able to discharge induced surge voltages from indirect lightning strikes or



### Surge protection box for PV

This plug-and-play solution provides surge protection for both buildings without external lightning protection, as well as with external protection. Universal



### Surge protection for main distributions , Phoenix Contact

Find out about the correct installation of surge protection in large main power distributions in compliance with the required cable lengths.



### Press corner , European Commission

Find highlights, press releases, and speeches from the European Commission in one place.



### Power Distribution, Surge Protectors



Surge Protectors provide protection for devices from a voltage spike or power surges. The types of protection are Outlet Boxes, Outlet Strip, Power Distribution Unit (PDU), Surge Protector,



### Is It Necessary To Install A Surge Protector In The

As long as there is a wired electrical box connected from the outside, it needs to be connected to a surge protection device, so the distribution box

### Power Distribution Boxes Explained Simply

Learn what a power distribution box is, how it works, key components, types, and why it's vital for safe and efficient electrical systems.



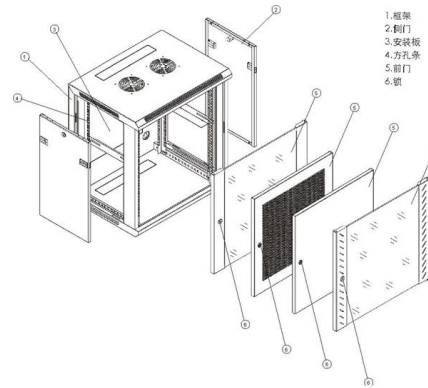
### How To Equip The Surge Protector In The Distribution

A surge protective device is a device used to prevent surges from damaging electrical appliances. Its function is to protect the magnetic ring with



## SURGE PROTECTIVE DEVICES GUIDE

**SURGE PROTECTIVE DEVICES** The main role of the surge protective device is to limit an overvoltage to an "acceptable" overvoltage between active poles (Phase/ Neutral) and Earth, or between the

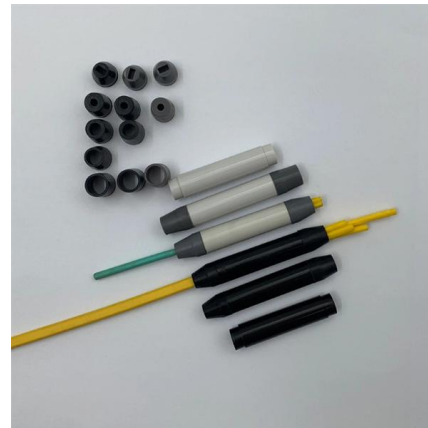


### What is a Distribution Box? - A Comprehensive Guide

These boxes can include advanced features like modular designs, surge protection, or additional safety measures to handle complex electrical

### Brochure Surge protection EN

Offers high protection against direct lightning strikes in TT, TN-C, and TN-S systems. 12.5 kA surge current withstand capacity per pole. Simple busbar mounting and modular design enable quick



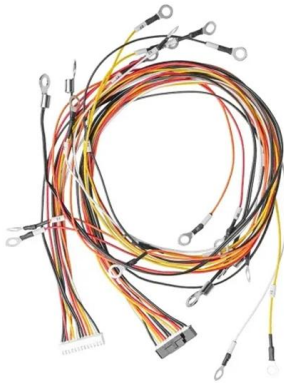
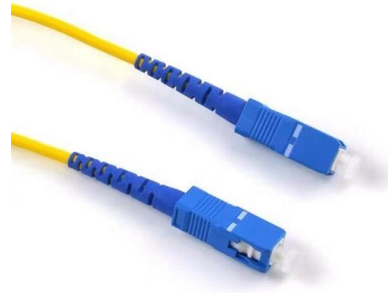
### Surge protection

Our integrated surge protective devices arrive already installed in distribution equipment. This provides the highest level of protection in very little time and eliminates field installation issues.

### How to Determine Which Type of Surge Protector to Use



Generally, a level one surge protector (M100B+C/3+N) is required for the main distribution, and a level two or three surge protector (M40B4) is required for the



### Complete Guide For Distribution Boxes Types

Distribution boxes, also known as electrical distribution boards or panels, are pivotal components in electrical systems, ensuring the safe and organized distribution of

### Power Distribution and Protection

Protector in front of surges: SPD (Surge Protection Device) A transient over voltage protection device acts as a voltage controlled switch and is installed between the active conductors



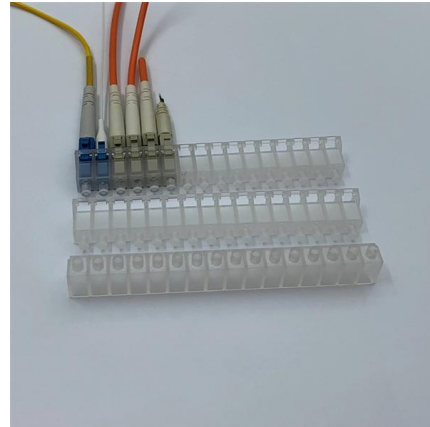
### Why The Distribution Box Must Be Equipped With A

It can be seen that it is very necessary to install a surge protective device in the distribution box. The first-level surge protector is mainly installed in



## Surge Protectors Explained: Your Complete Guide to Surge Protection

Discover how surge protectors safeguard devices from power surges and voltage spikes. Learn about surge protector types, joule rating,



## What Is an Electrical Distribution Box? A Complete Guide

Furthermore, the box typically includes components for surge protection and a well-thought-out component layout to ensure accessibility and maintenance. Through

## Distribution Board Surge Protection

In application of power distribution boards, they can be classified as follows: Type 1: An SPD positioned between the secondary of the service transformer and the line



## Understanding Distribution Boxes: A Comprehensive Guide

In general, a distribution box is mainly used to distribute electrical power to multiple circuits and provide circuit protection. An electrical panel may



### Surge protection box for PV

DESCRIPTION Complete DC surge protection wall distribution box SPD-PV-21 will provide the necessary protection before a lightning strike for your photovoltaic



## Contact Us

---

For datasheets, pricing, or custom high-speed optical interconnect solutions, please visit:  
<https://www.syropy.com.pl>