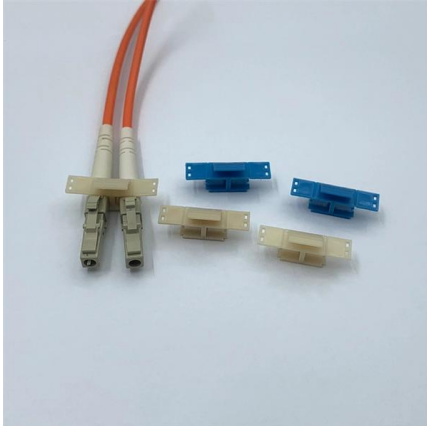


# **What to do if the cable tray cover is not tight**





## What to do if the cable tray cover is not tight

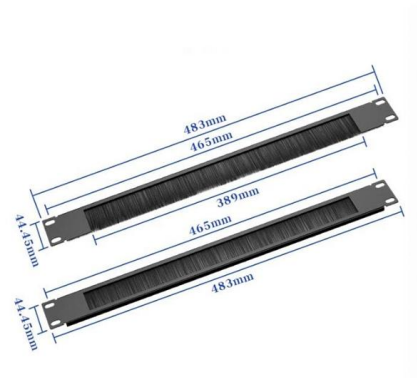


### Connecting Cable Trays: Your Guide to Secure and

Learn common methods for connecting cable trays safely and efficiently. Our guide covers splice plates, quick-connects, and key tips for secure

### A Guide to Installing and Supporting Electrical Cable Trays

A professional guide to installing electrical cable tray systems per NEC Article 392. Covers support, securing cables, and fill calculations.



### Common Cable Tray Failures and How to Resolve Them

Conclusion Cable tray failures, if not managed properly, can cause significant operational disruptions, safety hazards, and costly repairs.

### Cable Tray Failures: Types, Causes, and Prevention



However, like any other infrastructure, cable trays are prone to failures that can result in serious safety hazards, financial losses, and downtime.



### **Cable Tray Installation and Maintenance Considerations**

Learn about effective Cable Tray Installation and Maintenance. Get practical tips for planning, fitting, and looking after your cable trays.

### **There are several ways to fix the cover plate of cable tray**

The screwing and fastening method is suitable for horizontal or vertical installation of the bridge. 3. Buckle fixing method cable tray cover plate does not need to be punched, and the cover



### **Causes and Preventive Measures for Instrumentation**

A common but often overlooked safety hazard is the falling off of cable tray covers. This issue can lead to potential injury, equipment damage, or service disruptions.



## WIRE MESH TRAY TECHNICAL GUIDE

This depends on the type of data cable, the number of power cables and the type of cable tray. Otherwise, the distance of 8" provides a simple and sensible rule of thumb.



### Cable Tray Maintenance: Tips for Long-lasting Equipment

However, like any other mechanical equipment, cable trays require regular maintenance and inspection to ensure their safe and reliable operation. In this article, we will discuss the best

### Causes and Preventive Measures for Instrumentation

In industrial environments, the integrity of instrumentation cable trays is essential for ensuring the safety and stability of control systems. A common but often



### Best Fixing and Mounting Options for Cable Trays , CMW

Discover the best fixing and mounting options for cable trays and wire mesh basket trays. CMW shares tips for efficient cable management.



## Cable Tray Size and Dimensions: How to Choose the

Learn how to calculate the perfect cable tray size and dimensions for your electrical project. This guide covers load capacity, fill ratios, and industry

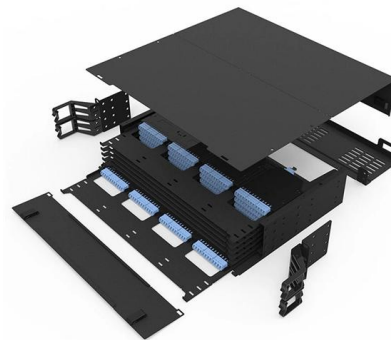


## Cable Tray Technical Guide A practical guide to product selection and

This guide for engineers and installers has been developed by ABB as a practical reference regarding cable tray characteristics, installation, and requirements. In addition to presenting our own product

## How to Fix Common Cable Management Issues using

This comprehensive guide investigates the most frequent wire management challenges faced in real-world setups and demonstrates how the



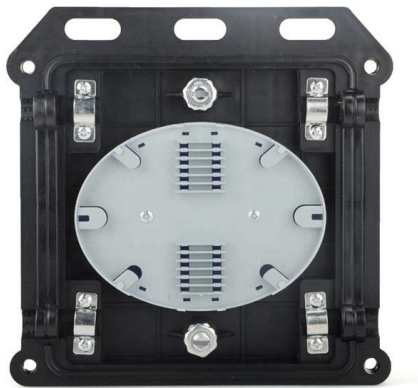
## Cable Tray Technical Guide A practical guide to product selection and

Cable tray is considered to be a system. It must provide continuous support for cables, and the electrical continuity of the cable tray system must be maintained.



## How to Avoid Damaging Cables During Cable Tray

Learn expert tips on how to avoid damaging cables during cable tray installation. Our guide covers planning, installation, and maintenance for cable



## Key Measures for Secure Cable Tray Covers Installation

Importance of Proper Cable Tray Covers Installation Cable tray covers installation is crucial for the safety and efficient operation of electrical

## Common Issues in Steel Cable Tray Installations

Steel cable trays form the backbone of organized and efficient electrical wiring in industrial, commercial and infrastructure projects. Whether installed as



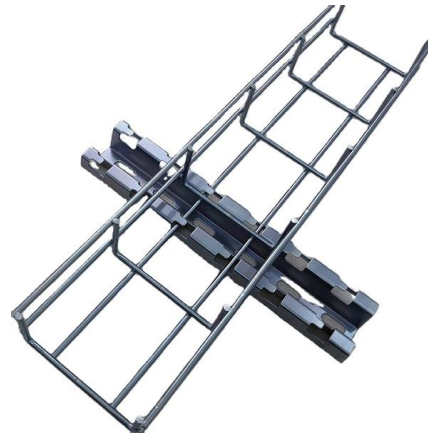
## Caution in Using Cable Tray Covers Outdoors

Caution in Using Cable Tray Covers Outdoors Improperly secured covers on outdoor cable trays can cause a serious safety hazard in high winds. In the majority of cases, covers are not used on cable



## How to Fix an Overloaded Cable Tray System

If your cable tray system is buckling under the pressure, figuratively or literally, it's time to act. An overloaded cable tray isn't just an untidy eyesore; it can lead to overheating, signal



## Mastering Cable Tray Installation , Step-by-Step Guide for a Seamless

Learn how to install cable trays correctly. Get the ultimate step-by-step guide on setting up a seamless and reliable cable management system.

## Avoiding Mistakes in Cable Tray Installation

Proper grounding and bonding are important for the electrical cable tray system to improve safety. Ignoring these steps can cause dangerous



## How to Fix Common Cable Management Issues using

Discover common cable management problems and how cable tray accessories effectively solve them to ensure safety and performance.



### Caution in Using Cable Tray Covers Outdoors

Improperly secured covers on outdoor cable trays can cause a serious safety hazard in high winds. In the majority of cases, covers are not used on cable trays for technical or safety

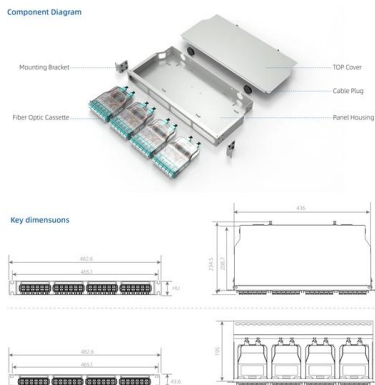
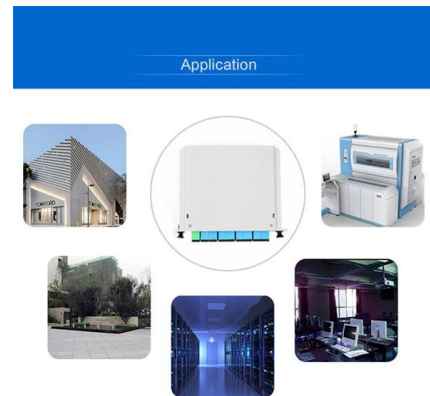


### Cable Tray Maintenance: Tips for Long-lasting Equipment

Regular inspections should be carried out to ensure that the cable tray is not overloaded. The following table summarizes the best practices for cable tray maintenance: Regular cable tray

### Common Issues in Steel Cable Tray Installations

Use appropriate support hardware designed for the specific tray type and load. Conduct alignment checks during installation and use proper fastening



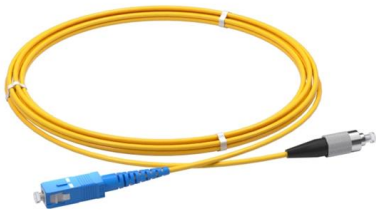
### Safety Issues for Cable Tray: Your Guide to Secure

Learn about crucial safety issues for cable trays during installation, repair, and maintenance. Protect your team with essential precautions and best



## Do You Really Need a Cable Tray? Here's How to Decide

Blog Do You Really Need a Cable Tray? Here's How to Decide Cable trays are a popular option for managing cables in various types of buildings and



## How to Solve Excessive Cable Tray Installation Spacing?

Learn how to fix excessive cable tray installation spacing. Discover tips and solutions to improve safety, performance, and ease of maintenance for

## Contact Us

---

For datasheets, pricing, or custom high-speed optical interconnect solutions, please visit:  
<https://www.syropy.com.pl>