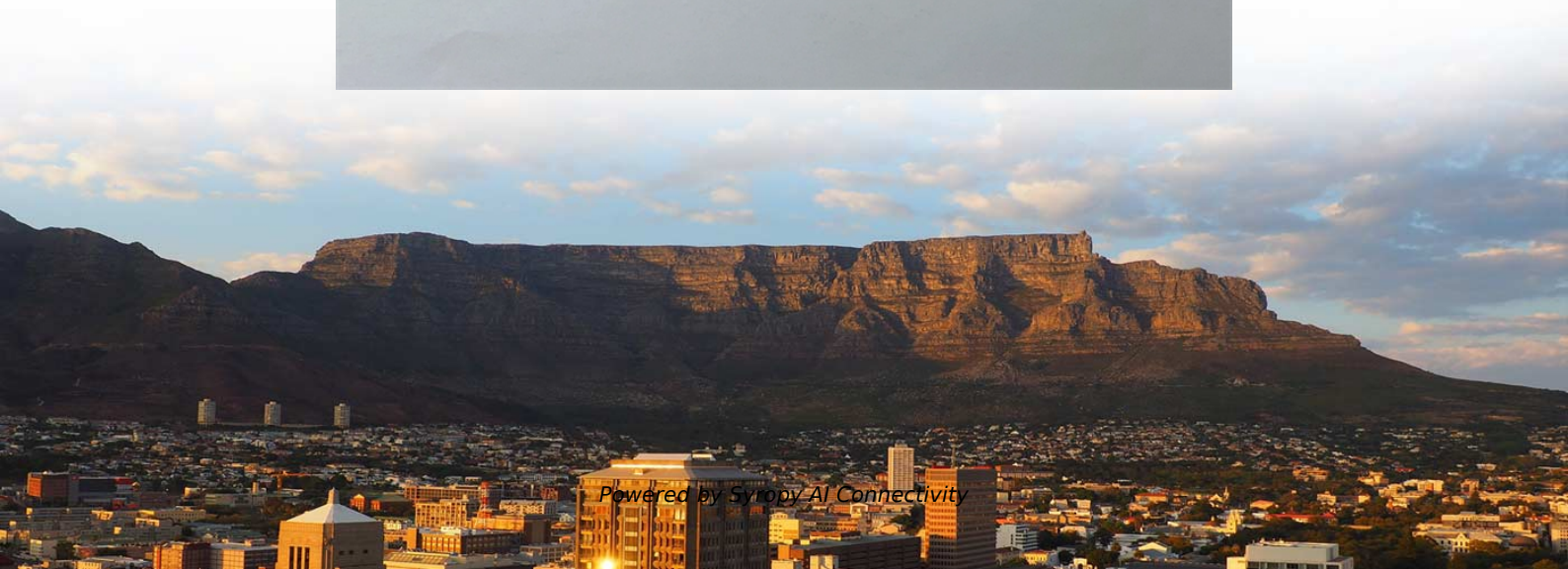
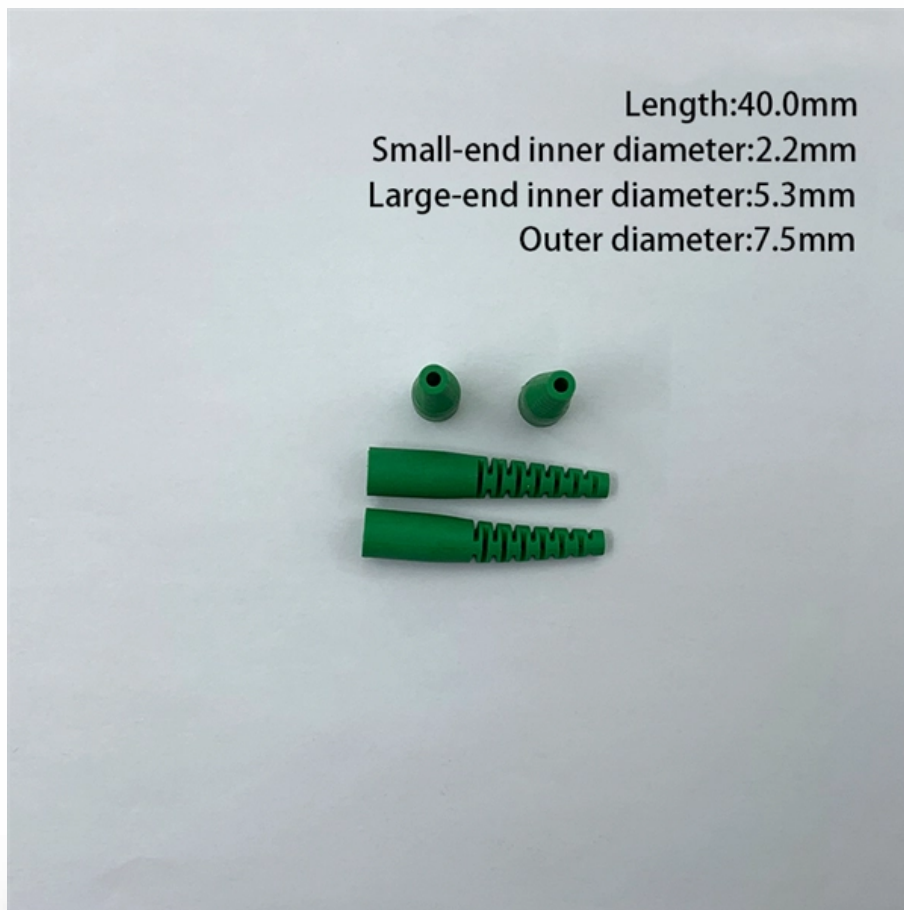


# What size should a household electrical distribution box cover be





## What size should a household electrical distribution box cover be

---



### unsupervised\_topic\_modeling/topics/en/15/50/100/topics at

Contribute to annontopicmodel/unsupervised\_topic\_modeling development by creating an account on GitHub.

### Complete Guide For Distribution Boxes Types

Distribution boxes, also known as electrical distribution boards or panels, are pivotal components in electrical systems, ensuring the safe and organized distribution of



### What Size Electrical Panel Do I Need? A Professional

Determine the right size for your electrical panel in our guide, covering load calculations, household needs, and tips for choosing the appropriate size.



### Electrical Panels: Replacement Signs, Maintenance,

The electrical panel--also called a circuit breaker box or service panel--is the central distribution point that connects the primary outside wire to



### How to Install a Cable Distribution Box Safely and

Residential line box: Compact in size, suitable for home electrical systems, used to distribute power for lighting, outlets, and household appliances.



### Electrical Box Dimensions: Find the Right Size for Any

This guide explains standard electrical box dimensions by type, compares common sizes, and helps you select the right box for residential,



### Distribution Box and Selection Guide

This guide provides information on how to select the appropriate Distribution Box for Electric project. If you have any questions about distribution





## A comprehensive understanding of distribution box

Choosing the right distribution box is very important. It keeps your electrical system safe, efficient, and reliable. Think about size, capacity, and use.

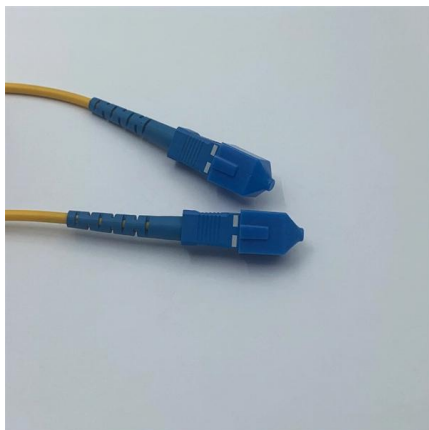


## What Is an Electrical Distribution Box? A Complete Guide

An electrical distribution box is a centralized unit responsible for distributing electrical power across multiple circuits within various environments, including residential,

## Electrical Panels 101: What Every Homeowner Should

Electrical panels, also known as breaker panels, distribution boards, or fuse boxes, are critical components of a home's electrical system. They distribute electricity



## Electrical Control Panels & Distribution Boxes: Sizes,

This guide explores control panels, electrical boxes, breaker panels, bus bars, junction boxes, and custom enclosures to help you understand their



### How to Choose the Right Distribution Box?

Find out how to choose the right distribution box for your needs! Learn about sizing, safety standards, essential features, and all factors.



### DB BOX(Electrical Distribution Box): Everything You

Learn everything you need to know about the Electrical Distribution Box (DB Box). Explore types, materials, installation tips, etc.

### Overview of household distribution box

Let's introduce what is home distribution box. Many customers don't understand what is home distribution box and what kind of distribution box can be used at home. They won't choose.



### "Guidelines for Household Distribution Box Specifications and

Wire Management: When wires exit the panel, the holes should be smooth and free of burrs, with insulating covers used on metal panels. Additionally, any metal enclosure must be



## Understanding Distribution Boxes: A Comprehensive Guide

Learn what a distribution box is, its types, and how to choose the right one for your project. Includes clear examples and expert tips.

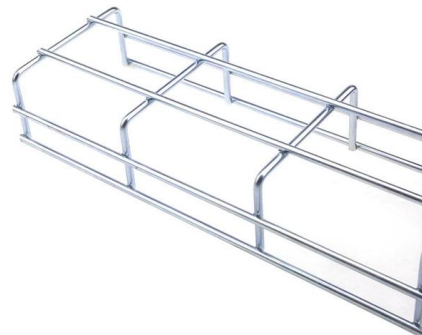


## The Complete Guide to Distribution Box: Installation, Types & More

Calculate the total electrical load and add 25% for future growth. Consider physical space requirements and accessibility needs when selecting enclosure size. What's the difference between

## The installation requirements for the distribution box

If the distribution box is to be embedded within the wall, the cutout should be approximately 20 millimeters larger than the box's dimensions. The depth should match the thickness



## Electrical Box Dimensions: Find the Right Size for Any

Learn standard electrical box dimensions for outlets, switches, and junction boxes. Compare sizes, depths, volume, and clearance for safe installations.

## How to choose a distribution box of the



## right size for a project based

In this guide, I'll walk you through a practical, step-by-step process to size your distribution box based on actual load current. We'll cover everything from understanding your circuits to planning for future



## The Complete Guide to Distribution Box: Installation, Types & More

Begin by determining the electrical load requirements and selecting an appropriately sized distribution box. Calculate the total current demand of all circuits and choose a box with adequate

## How to Choose the Right Distribution Box for Your Home or Workshop

Learn how to choose the right distribution box for your home or workshop. Discover sizing rules, component selection, and strict electrical safety standards.



## Requirements And Specifications For Installation Of

All cable inlets and cover joints should have no visible gaps to ensure good sealing. Safety protection: The metal box of the distribution box, the



## How to Choose a House Distribution Box , CHINT global

This article guides you through selecting a distribution box that is both affordable and safe, emphasizing key features, configuration, and practical

### 5-INCH COLOR TOUCHSCREEN

Intuitive operation, easily accessible with just one touch



## Contact Us

---

For datasheets, pricing, or custom high-speed optical interconnect solutions,  
please visit:  
<https://www.syropy.com.pl>