

What s the situation with the router being connected to fiber optic cable





Overview

The fiber optic cable does not plug directly into a standard home router because the signal type must be translated. The technician powers, tests, and activates the connection to confirm full speed and signal quality. This comprehensive guide combines industry standards with field-tested practices to ensure you achieve a rock-solid. Fiber optic troubleshooting is an essential skill for network administrators, technicians, and engineers responsible for maintaining and repairing fiber optic systems. These high-speed, high-capacity communication networks are increasingly replacing copper cables, offering superior performance and.



What s the situation with the router being connected to fiber optic



How to Connect Fiber Optic Cable to Router: Top 5

Learn how to connect fiber optic cable to router with our step-by-step guide. Optimize your home network for speed and reliability!

How To Connect Fiber Optic Cable To Router?

Connecting a fiber optic cable to a router involves a few key steps and specialized equipment. Here's a simple guide to help you through the process: 1.



Fiber Optic Troubleshooting: Expert Guide for Common

Troubleshoot fiber optic issues like a pro with our expert guide. Resolve common problems and ensure seamless connectivity.



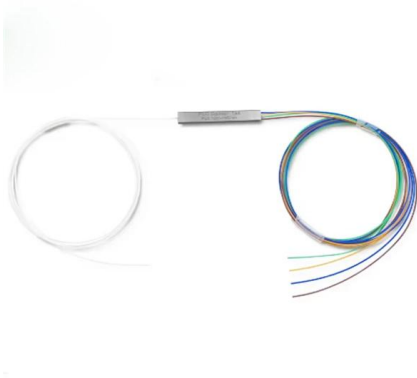
Complete Guide to Fiber Optic Home Networking

3. Fiber Modem and Router A fiber modem, technically a transceiver, decodes fiber signal while the router broadcasts your home Wi-Fi network. Why



How To Configure Router For Fiber Internet: Step-By

Configuring your router for fiber internet ensures you get the most out of your high-speed connection. By following these detailed steps, you will enjoy



What is a Fiber Optic Network? A Comprehensive Guide

What is a fiber optic network? Get a good understanding of fiber optic network components & internet solutions in a comprehensive benefits guide at Zayo.



How to Connect Fiber Optic Cable to Router: A Step-by

Fiber optic internet delivers blazing-fast speeds and reliable connectivity, making it a top choice for modern homes and businesses. However,





Unable to Connect Router to Fiber Optic Cable Modem

Despite multiple attempts, the Archer AX6000 v1.0 is unable to connect to the modem. The blue light on top of the router spins around for a few minutes as it tries to negotiate a connection

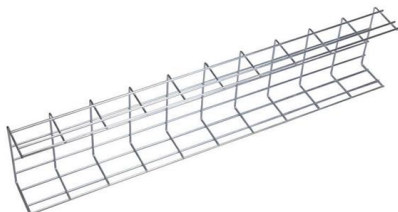
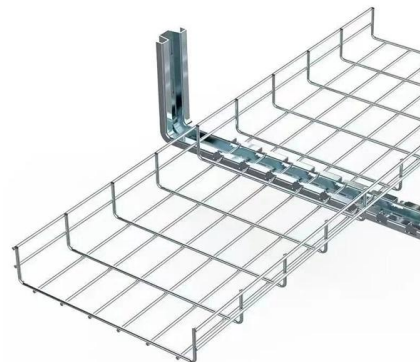


How to connect a fiber optic cable to the router

In general, the way to connect a fiber optic cable to a router is similar regardless of the brand. Fiber optic input ports typically have a standard design that allows for easy, universal

Fiber vs. cable: What is the difference? , ZDNET

We break down the differences between fiber and cable, while highlighting their unique respective advantages.



Online Bulk Cable Company , CableWholesale

As a premier online bulk cable company, CableWholesale carries a large inventory of computer cables, USB, HDMI, fiber optic, VGA cables, and more. Shop now!



How is Fiber Internet Installed? Everything You Need to

Explore how fiber optic internet is installed in your home, with step-by-step details on cables, ONTs, routers, and what to expect during the appointment.



Discover Europe's digital cultural heritage , Europeana

Hier sollte eine Beschreibung angezeigt werden, diese Seite lässt dies jedoch nicht zu.

Google

Checking your browser before accessing undefined Click here if you are not automatically redirected after 5 seconds. Checking your browser - reCAPTCHA

Waterproof and dustproof, reliable and safe

The outer classic sink design allows the sealing ring of the cabinet and door to be seamlessly compressed without leaving a trace of gaps



How to Connect Fiber Optic Cable to Router? Easy Fiber Optic

Equipment Prep: Gather your fiber optic cable (check the connector type: SC, LC, etc.), router, power cords, and optional tools like cable cutters (for specific situations).



How Does Fiber-Optic Internet Work?

A fiber connection lets you hop online thanks to fiber-optic cables, which use light signals to send data to and from your computer. Because of the

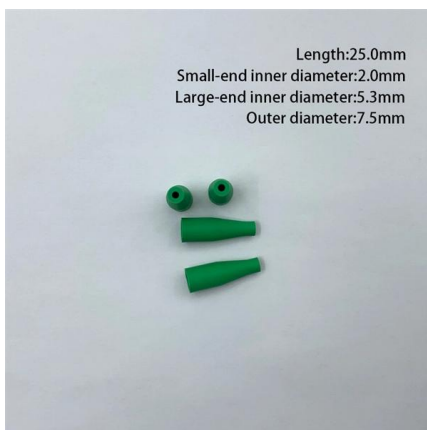


How does fiber optics work?

The Romans must have been particularly pleased with themselves the day they invented lead pipes around 2000 years ago. At last, they had an

How to Connect a Fiber Optic Cable to a Router

Connect fiber internet correctly. Learn the essential hardware bridge and sequential steps needed to link the optical line to your router.



How to Connect Fiber Optic Cable to Router: Top 5

By understanding these components and following these steps, you can successfully connect your fiber optic cable to both Ethernet and wireless



How to Connect Fiber Optic Cable to Router: A Step-by-Step Guide

Connecting a fiber optic cable to a router is a straightforward process that can greatly enhance your internet experience. By following these steps and taking care to handle the fiber cable properly, you'll

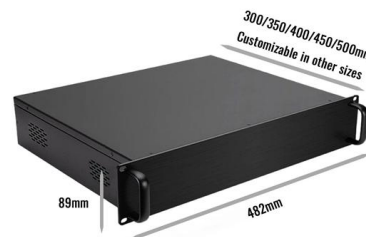


How to connect a fiber optic cable to the router

The router may require a few minutes to set up the new connection. 7. Verify the connection: To make sure everything worked correctly, check the internet connection on your

How to Connect Fiber Optic Cable to Router: Complete

By following this detailed guide, you've not only learned how to connect fiber optic cable to router properly but also how to optimize and maintain



[zxcvbn-rs/src/frequency_lists.rs](#) at master

Port of Dropbox's zxcvbn password strength library for Rust - shsoichiro/zxcvbn-rs



How to Connect a Fiber Optic Cable to a Router

Setting up a fiber internet connection requires understanding key hardware components and following a specific connection sequence to establish your home network. This guide details the



Fiber Internet Installation: Step-by-Step Guide (2026)

Fiber internet uses fiber optic cables instead of coaxial cables or metal wires to transmit data. Unlike traditional cable internet, which relies on

Can I Connect a Fibre Optic Cable to Wireless Router?

Fibre optic cable connection to your wireless router made easy! Discover how to boost your internet speed and connectivity today.



MPO-MPO Low Smoke Halogen Free Sheath
Multimode 10 Gigabit 12 pole OM4
Insertion loss <0.35dB Return loss >50dB



Complete Guide to Fiber Optic Home Networking

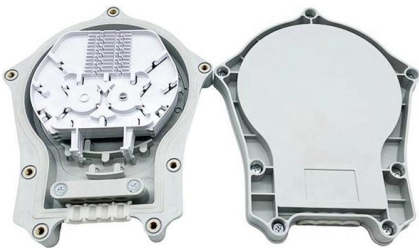
Build a home fiber network for 1-2 Gbps speeds with this complete guide to installation, troubleshooting, and performance.

How to Connect Fiber Optic Cable to



Router: Step-by

Master the process of connecting a fiber optic cable to your router. Dive into preparation tips, setup instructions, and configuration settings for optimal fiber



Modem vs. Router: Here's the Difference (And Why It

What Is the Difference Between a Modem and a Router? Your router creates a network between the computers in your home, while your modem

Contact Us

For datasheets, pricing, or custom high-speed optical interconnect solutions, please visit:
<https://www.syropy.com.pl>