

What kind of faceplate should I buy for fiber optic cables





What kind of faceplate should I buy for fiber optic cables



Fiber-optic Plates - faceplates, tapers, applications, fiber

What is a Fiber-optic Plate? Fiber-optic plates, sometimes also called fiber faceplates, are transparent plates which consist of many optical fibers. The front

Passive Optical LAN Faceplates

When looking to install a passive optical network with reliable technology, look no further than OCC's newly developed POL Solution. POL systems afford



Fiber Optic Faceplate

Fiber optic faceplate is designed to bring fiber to the desk and widely used in multi-floor and high building. Unisol offers different types of fiber optic wall plates

What is Fiber Faceplate

Fiber faceplates, fan-shaped faceplates, and rosette boxes play a crucial role in establishing efficient and reliable fiber optic networks. By understanding the different types, layouts, and selection



Premium-Line Fiber Optic Faceplate

Premium-Line Fiber optic faceplate is in standard 86*86 design, it's available to secure to any surface, drywall, baseboard, and even modular furniture.



Videos Hub Portal - Blog Sharing Platform & Metacafe

Videoshub is a creative platform since 2008 with blogs, videos and a Metacafe archive featuring viral clips, movies, classics and internet favorites.



What Is a Fiber Faceplate?

A fiber faceplate is a panel specifically designed for fiber optic connections, usually installed on walls, racks, or patch panels. It is typically made





Fiber Optic Faceplate , FiberTek

Fiber Optic Faceplate can be loaded with fiber optic adapter and mounted on the wall surface to provide clean and sleek optical network connection.



Fiber Optic Faceplate

The 1 Port Fiber Optic Faceplate is a versatile and easy-to-use device that can be used for a variety of applications. It is a compact and secure enclosure for connecting fiber cables without ruining



Fiber Optic Cable Buying Guide , Eaton

Fiber Optic Cable Buying Guide Choosing single-mode or multimode fiber for high-performance data networking and telecommunications Fast data transmission,



such/ignore.txt at main · yeerma/such · GitHub

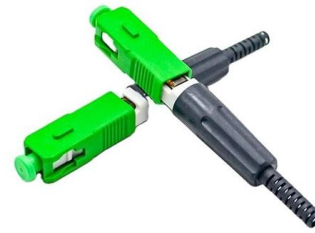
aasdadasdasa. Contribute to yeerma/such development by creating an account on GitHub.





Ultimate Guide to Fiber-Optic Patch Cables: Types, Selection, and Best

Learn about fiber optic patch cables, their types, construction, applications, and how to choose the right one for your network needs.

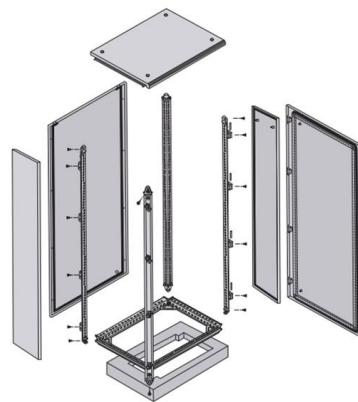


Fiber-optic Plates - faceplates, tapers, applications, fiber

A fiber-optic plate, or fiber faceplate, is a transparent plate composed of millions of tiny, ordered optical fibers. Its primary purpose is to transfer an image from its

Fiber optic faceplate and surface box

A fiber optic faceplate, also known as a fiber optic adapter plate or fiber optic patch panel, is a component used in fiber optic systems to organize and manage fiber optic connections.



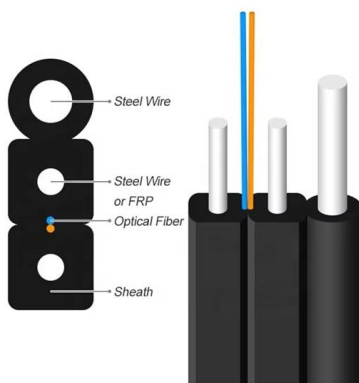
Fiber Optic Tapers and Faceplates

Fiber Optic Faceplates transmit images from input surface to output surface using coherent fibers. Common uses include CRT/LCD displays, sensor coupling, X-ray

Quid est Fiber Faceplate



Fiber faceplates are essential for creating fiber optic networks in homes and are often installed in walls. They provide easier and safer connections between feeder cables and fiber patch cables linked to



Basic Understanding of Fiber Optic Wall Plate Outlets

In many case, they are installed in the wall. They provide easier and safer connection between feeder cable and fiber patch cable that is linked to the target optical device. Customers

What is Fiber Faceplate

Fiber faceplates are essential for creating fiber optic networks in homes and are often installed in walls. They provide easier and safer connections



Inspection and Cleaning Procedures for Fiber-Optic

Introduction This document describes inspection and cleaning processes for fiber optic connections. It is important that every fiber connector be



Fiber Optic Cable Types Explained: Choosing the Right

In high-speed network environments--such as data centers, enterprise LANs, and telecom backbones--fiber optic cables are critical in



Fiber Faceplates - Selection Guide for Residential FTTH

Learn how to choose the best fiber faceplate for residential FTTH installations. Compare port types, mounting options, and cable management features for clean.

Fiber Optic Tapers Faceplates , Fiber Optic Faceplates , MEETOPTICS

Browse fiber optic plates including faceplates and tapers for image magnification or reduction. Low NA, High resolution options available at MEETOPTICS.



The Ultimate Guide to Fiber Optic Faceplate Tech

Fiber Optic Faceplate Features at a Glance To help you choose the right product, we've created a table that outlines the key features of different



Fiber Optic Faceplate

This ICC Fiber Optic Faceplate is the perfect solution for home and office networks. It is designed to support the cable distribution in all settings while neatly tucking



Best Fiber Optic Wall Plate, Fiber Faceplate , OMC

OMC supplies high-quality FTTH faceplates. Our fiber faceplate products are easy to install, ensuring a stable connection and high-speed data transmission.



What is Fiber Faceplate

Fiber faceplates are essential for creating fiber optic networks in homes and are often installed in walls. They provide easier and safer connections between feeder cables and fiber patch cables linked to



Contact Us

For datasheets, pricing, or custom high-speed optical interconnect solutions, please visit:
<https://www.syropy.com.pl>