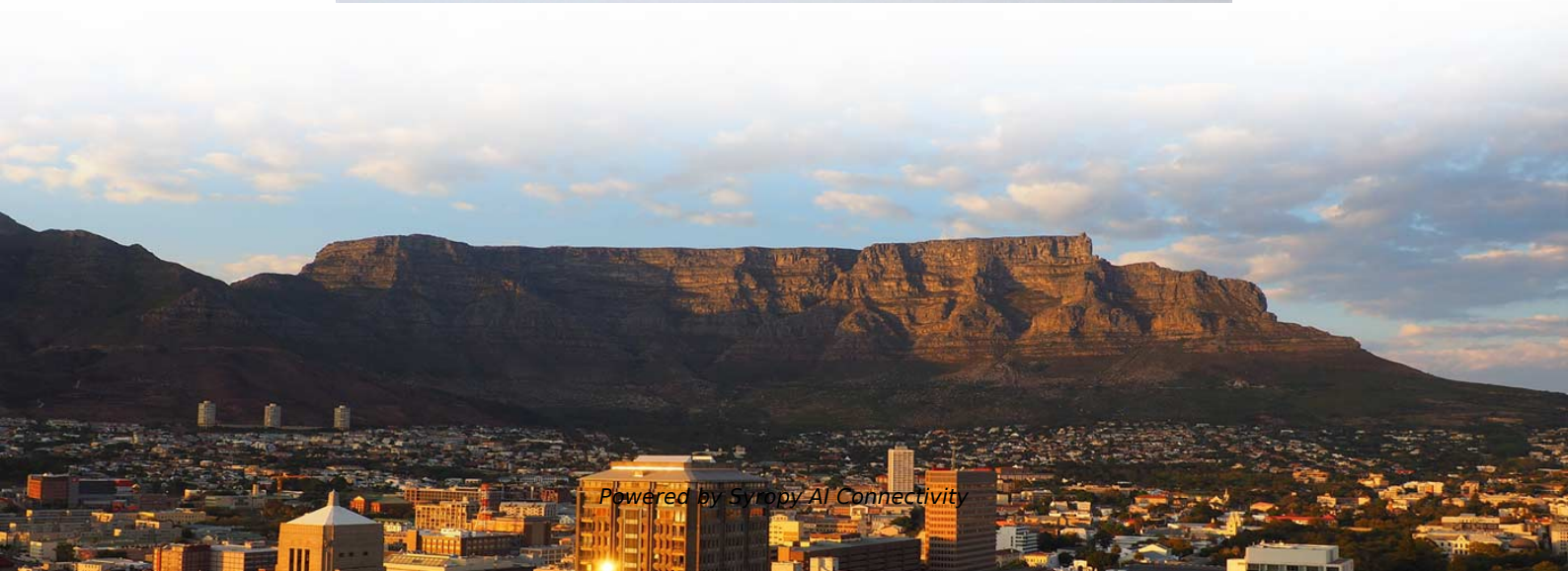


# **What is the spacing between cable tray supports**





## What is the spacing between cable tray supports

---

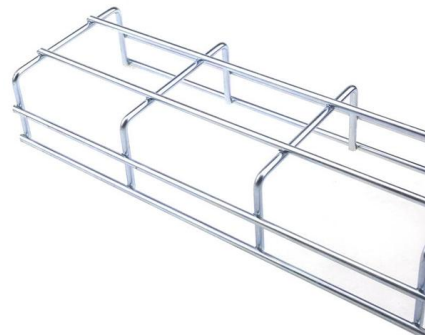


### **Our Range of Cable Trays and Accessories , Nordic Wire Tray**

Cable management with the longest spacing between support brackets Fast installation is a criteria that we believe is absolutely decisive for a product to be classified as "premium". For the X-Tray cable

### **NEC Standards for Cable Trays: Grounding, Fill Capacity**

Additionally, they effectively support tray-rated power and control cables, providing both strength and flexibility. These trays are ideal for use in commercial offices, industrial facilities, data



### **Guide to cable support systems**

I support systems for cable support structures are used to bridge large loads and support spacings and to cre-ate complex section routes. The systems allow large sup-port spacings of wide span systems

### **Master Cable Tray Installation: A Professional Step-by**

Learn how to install cable trays for large-scale projects with our professional, step-by-step guide covering industry standards, safety protocols,



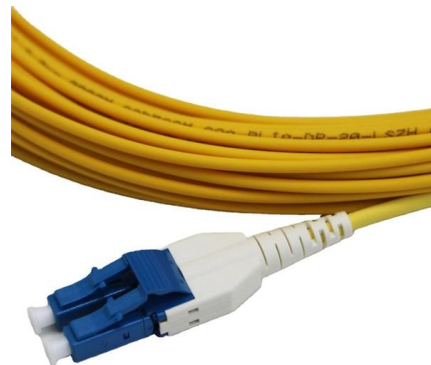
### **Best Practice Guide to Cable Ladder and Cable Tray Systems**

The radius for cable ladder and cable tray fittings is usually determined by the bending radius and stiffness of the cables installed on the cable ladder or cable tray.



### **B-Line series Cable Tray Design Considerations**

B-Line series straight cable tray sections allow for the structural supports to be spaced up to 6m (20 ft) for steel cable ladder and up to 12m (40 ft) with aluminum cable ladder.



### **Cable Tray Ladder Trunking Wire Basket Installation**

Resources For Electrical & Electronic Engineers  
Cable Tray Ladder Trunking Wire Basket  
Installation Guidelines  
What Are Cable Trays? An assembly of





## Cable Tray Installation Rules (NEC 392) - Electrical Trader

Generally, standard trays require supports every 6 to 10 feet, while heavy-duty, long-span trays can handle distances of up to 20 feet between supports. To determine the proper spacing,



## NEC Article 392 Guide: Ensuring Compliance for Cable

The primary rulebook used in the safe use of cable trays is NEC Article 392. This is a description of how to select, install, and support these metal

## Best Fixing and Mounting Options for Cable Trays , CMW

Regarding cable management, the fixing and mounting you choose for your cable trays can make or break your setup. Whether you're managing voice, data, or electrical cables, ensuring



## Core Principles for Electrical and Instrumentation Cable

Spacing Standards: Electrical (power) and instrumentation (signal/control) cable trays should maintain a minimum vertical and horizontal distance. Industry



## Avoiding Mistakes in Instrumentation Cable Tray

Use the right sort of tray, keep the support spacing between 1.5 and 2 meters, separate the power, control, and instrumentation cables, and make sure

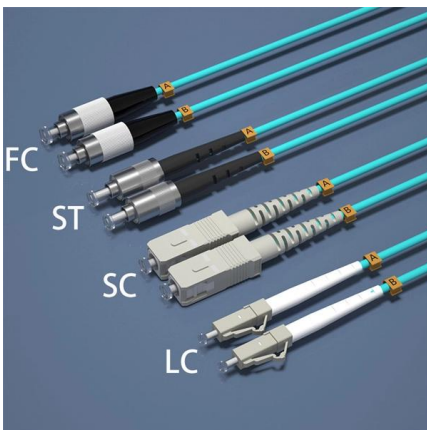


## Types of Cable Trays: Ladder, Perforated, Basket, Solid

Cable trays support insulated electrical cables in industrial and commercial settings. There are several types of cable trays, including ladder,

## A Guide to Installing and Supporting Electrical Cable Trays

A professional guide to installing electrical cable tray systems per NEC Article 392. Covers support, securing cables, and fill calculations.



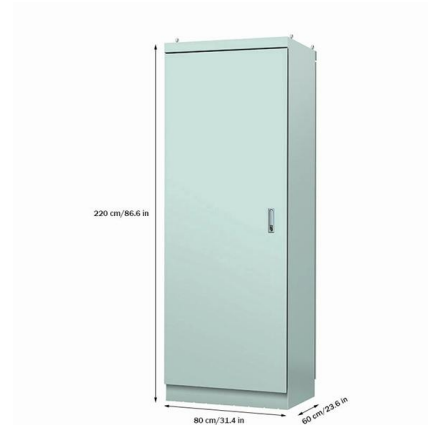
## Cable cleats

Your cable diameter is equal to the spacing between conductor centers shown below. Find your cable diameter at the top of the table and look down at the column below it. Find the value equal to or



## Precautions for Cable Tray Installation

When multi-layer installation of cable trays for laying cables of 10 kV and above, the spacing between layers is generally not less than 300 mm. The distance from the



## Cable Tray Spacing Standards for Installation and Safety

Discover the essential cable tray spacing requirements for safe and efficient installation. Learn key standards, horizontal and vertical spacing, and more.

## Cable Support System Requirements

Unipath System The Unipath cable support system offers a hybrid of the center rail support system and a support structure similar to a bridle ring. Made of a sturdy



Length:33.5mm  
Small-end inner diameter:4.0mm  
Large-end inner diameter:6.0mm



## Cable Support Distances

From this figure the length between support positions can be calculated for the defined deflection (sag) percentage. The length between support positions will change depending on the cable design, size,



## What Is a Cable Cleat and Why Is It Important?

Cleat spacing is inversely proportional to the cleat's required strength; closer spacing means each cleat handles less force. Improper spacing defeats the cleat's safety purpose, as the



## Cable Tray Technical Guide A practical guide to product selection and

Cable tray length is selected based on the load to be supported, the distance between the supports (also referred to as the span), and handling and installation constraints.

## Cable Tray Spacing Standards for Installation and Safety

The spacing between trays, whether horizontal or vertical, depends on various factors like cable type, environment, and tray material. Proper



## GUIDE CABLE TRAYS TECHNICAL

NEMA VE 1-2017 Specifies requirements for metal cable trays and associated fittings designed for use in accordance with the rules of Canadian Electrical Code, Part I and the National Electrical Code®



## Cable Tray Support Spacing: Key Guidelines Explained

Explore the essential cable tray support spacing requirements for safe and efficient installations. Learn NEC guidelines for perforated, ladder, and wire mesh trays.



### Guide to cable support systems

A key factor for the load capacity of the cable trays is (in addition to the support spacing and slant height) the material thickness, which varies according to type.

## Contact Us

For datasheets, pricing, or custom high-speed optical interconnect solutions, please visit:  
<https://www.syropy.com.pl>