

What is the selling price of fiber optic cables in the Bahamas





Overview

The wide price range reflects differences in fiber strand count, outer jacket construction, and application type. What Is the Cost of Fiber Optic Cables?

Fiber-optic cable pricing depends on whether you're purchasing materials alone or including complete installation. Market Forecast By Platform (Civil, Military, Space), By Application (Avionics, Navigation, Weapon Systems, Communication Systems), By Type (Single-mode, Multi-mode) And Competitive Landscape How does 6W market outlook report help businesses in making decisions?

6W monitors the market across 60+. 6W monitors the market across 60+ countries Globally, publishing an annual market outlook report that analyses trends, key drivers, Size, Volume, Revenue, opportunities, and market segments. In some cases, suppliers only guarantee quotations for the same day, and in extreme situations even half-day quotations are appearing in the market.



What is the selling price of fiber optic cables in the Bahamas



Fiber Optic Networks - TELiCON Group

We handled all the fiber construction, installation, splicing, and activation for Flow Barbados with the successful deployment of over 10,000 Km of fiber optic cable, which delivered quad play services to

Fiber Optic Cable Price: Understanding the Cost of

The fiber optic cable price starts with the cost of raw materials used in fiber optic cables. In fiber optic technology, the fiber optic cable core --made from



Bahamas Optical Fiber Cables Market (2025-2031) , Competitive

6Wresearch actively monitors the Bahamas Optical Fiber Cables Market and publishes its comprehensive annual report, highlighting emerging trends, growth drivers, revenue analysis, and

Bahamas Fiber Optic Cable Market (2025-2031) , Forecast & Trends

Bahamas Fiber Optic Cable Market Size Growth Rate The Bahamas Fiber Optic Cable Market is projected to witness mixed growth rate patterns during 2025 to 2029. Starting at 1.77% in 2025, the



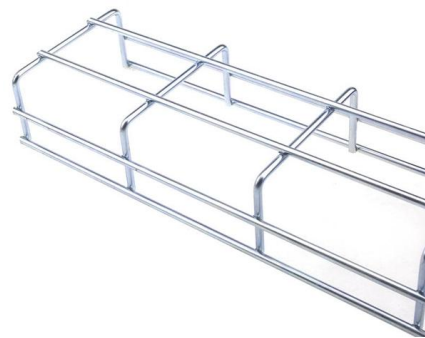
KabelDirekt TOSLINK - Optical Audio Cable - 6ft

Amazon : KabelDirekt TOSLINK - Optical Audio Cable - 6ft - Fiber Optic Cord, S/PDIF Digital Audio Optical Cable for Soundbar, Stereo Systems, Home



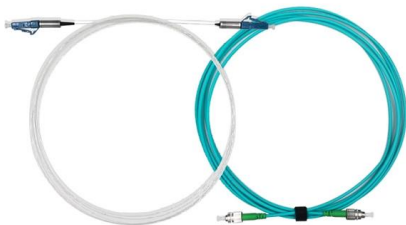
Bahamas Fiber Optic Cables Market (2024-2030) , Trends, Outlook

Historical Data and Forecast of Bahamas Fiber Optic Cables Market Revenues & Volume By Multi-mode for the Period 2020-2030 Bahamas Fiber Optic Cables Import Export Trade Statistics



Clear Fiber Technology Solutions , consulting , Bahamas

Clear Fiber Technology Solutions is a leading and reputable Telecommunications Contracting and Consulting Firm serving the Bahamas and Caribbean area. We understand the importance of





How Much Does Fiber Optic Cable Cost? 2025 Factory

Searching for how much does fiber optic cable costs? Stop guessing. We break down 2025 prices for OS2, OM3, and Armored cables directly from the Wolontek



Fiber Optic Cable Cost Guide 2026 - LatestCost - Real-Time Price

Main cost drivers include cable grade (indoor vs outdoor, armoured), distance, and labor for trenching, splicing, and termination. This guide presents ranges in USD and practical price

Fiber Optic Cable Price in 2026: Real Market Data for March

This article summarizes the latest fiber optic price data as of March 9, 2026, along with the recent timeline of price changes and the factors behind the surge.



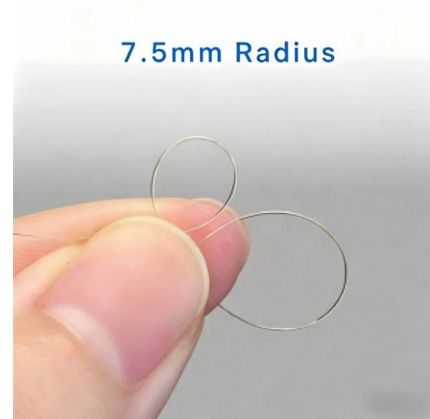
How Much is Fiber Optic Cable? Best Costs Revealed

Discover how much is fiber optic cable, explore pricing factors, installation costs, and cost-saving tips in our comprehensive guide.



Fiber Optic Cable Pricing Guide: Factors That Affect

Fiber optic cables are essential components in today's broadband, FTTx, and data center networks. Whether you're planning a national fiber rollout



Wiley Online Library , Scientific research articles, journals, books

Hier sollte eine Beschreibung angezeigt werden, diese Seite lässt dies jedoch nicht zu.

Bahamas Fiber Optics Cable Market (2025-2031) , Pricing Analysis

Market Forecast By Type (Single-Mode Fiber Cable, Multi-Mode Fiber Cable), By Application (Telecom, Networking, IT & Data Centers, Industrial), By End-Use (Residential, Commercial, Industrial) And



CMU School of Computer Science

å 10 ä ,EURå fä ? 10 ä ,EURç(TM)¾ 100
ä ,EURç(TM)¾å¸s 100 ä ,EURå f 1000 ä ,EURå
få¸s 1000 ä ,EURâ--<ä ,EUR 101
ä ,EURç(TM)¾é>¶ä



Fiber Optic Cable Market Size

The Fiber Optic Cable Market worth USD 14.22 billion in 2026 is growing at a CAGR of 9.84% to reach USD 22.74 billion by 2031. Corning Inc.,



Cost of Fiber Optic Cable: Pricing Guide (2026)

Discover the cost of fiber optic cable in this pricing guide. Learn material prices, installation factors, and what impacts total project costs overall.

Bahamas Fiber Optic Connectors Market (2025-2031) , Trends,

Bahamas Fiber Optic Connectors Market Size Growth Rate The Bahamas Fiber Optic Connectors Market is projected to witness mixed growth rate patterns during 2025 to 2029. The growth rate



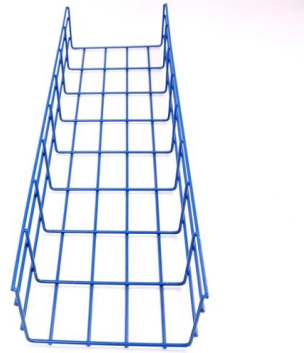
Nasdaq: Stock Market, Data Updates, Reports & News

Get the latest stock market news, stock information & quotes, data analysis reports, as well as a general overview of the market landscape from Nasdaq.



How Much Do Fiber Optic Cables Really Cost?

Explore the factors influencing fiber optic cable pricing, including cable types, installation methods, and market trends. Make informed decisions with



How Much is the Cost of Fiber Optic Cable?

In this article, Fibconet will explore the factors influencing the cost, the average price range, installation costs, and tips for saving money when

How Much Does Fiber Optic Cable Cost?

Honecable provides a range of wholesale fiber optic cable prices, which can vary from \$0.3 to \$4 per meter (\$0.09 to \$1.52 per foot). Genuine



Network Cable, Power Cord, USB, HDMI, Fiber Optic

Ensure uninterrupted operations with our robust cabling, power, and network solutions, including high-speed fiber optic cables. Our extensive product range

[pybitcoin/pybitcoin/passphrases/english_wo](#)



rds.py at master · stacks

A Bitcoin python library for private + public keys, addresses, transactions, & RPC - stacks-archive/pybitcoin

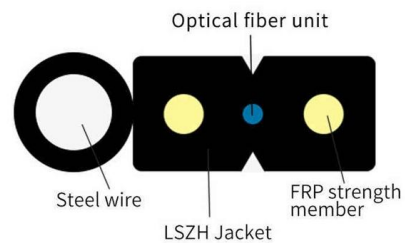


WORLD WIDE WEB JOURNAL Home

will open to start the export process. The process may take but once it finishes a file will be downloadable from your browser. You may continue to browse the DL while the export process is in

Bahamas Fiber Optic Cable Market (2025-2031) , Forecast & Trends

The Bahamas Fiber Optic Cable Market is projected to witness mixed growth rate patterns during 2025 to 2029. Starting at 1.77% in 2025, the market peaks at 2.33% in 2027, and settles at 0.19% by 2029.



Contact Us

For datasheets, pricing, or custom high-speed optical interconnect solutions, please visit:
<https://www.syropy.com.pl>