

# **What is the maximum number of ports on an optical switch**





## What is the maximum number of ports on an optical switch

---



### Switch Ports

Hi, 1.what is maximum Physical switchports in a single switch ? This depends on the number physical ports the switch supports. Some switches support 24 some 48 and some 480 or



### What is the max number of ports on a switch?

The minimum number of ports on most brands of switches is four. While there is no industry rule that limits the number of ports on a single switch, practical application has shown that a

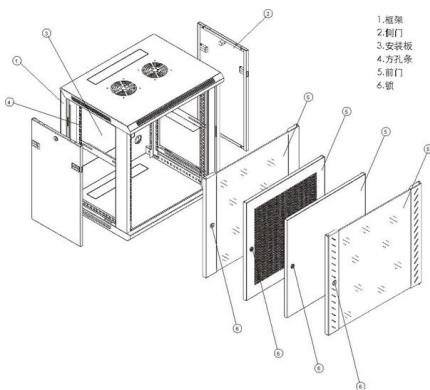
### unsupervised\_topic\_modeling/topics/en/15/100/50/topics at master

Contribute to annontopicmodel/unsupervised\_topic\_modeling development by creating an account on GitHub.



### All-Optical Ethernet Switch Explained: Features and

Discover what an all-optical Ethernet switch is, how it works, and the key benefits it brings to modern networks, from higher bandwidth to lower latency.



### Dumb question

A switch will have a number of ports which can be as low as 4-8 or as high as 48 or even higher if you stack switches together. The function of a switch is to provide

### D Link 10 Port Gigabit Smart Managed PoE+ Switch, 8x

Shop D Link 10 Port Gigabit Smart Managed PoE+ Switch, 8x PoE+ Ports (65W) + 2x Optical SFP Ports (DGS 1210 10P) Black products at Best Buy. Find low



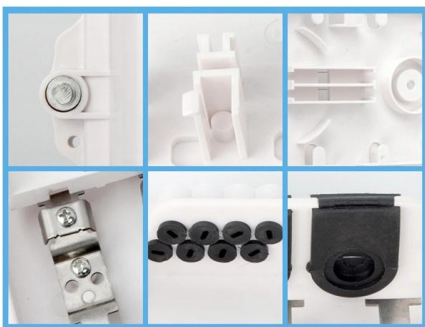
### coinkit/coinkit/words.py at master · mflaxman/coinkit · GitHub

Cryptocurrency wallet interfaces for Bitcoin, Litecoin, Namecoin, Peercoin, and Primecoin. - mflaxman/coinkit

### How Many ONUs Can an OLT PON Port Support?



Discover the maximum number of ONUs supported per OLT PON port in EPON and GPON networks, with split ratio planning tips for real-world



### Cisco Catalyst PON Series FAQ

There are two OLT models, 8 port (CGP-OLT-8T) and 16 port (CGP-OLT-16T). Both include redundant power options and redundant 1G (SFP or copper) or 10G (SFP+) uplinks and are managed by the

### What is the maximum number of ports in a cisco switch?

Conclusion In summary, the maximum number of ports in a Cisco switch can vary widely depending on the specific model and series. From compact switches designed for small businesses to large,



### What is an Optical Switch?

An optical switch is a multi-port network bridge, which connects multiple optic fibers to each other and controls data packets routing between



### What is Differences Between Switch Optical Ports and Ethernet Ports

Ethernet speeds up to 1000M can be supported by Cat5 or Cat6 cables, while 10G networks require cables of at least Cat6A grade or higher. Key differences between switch optical

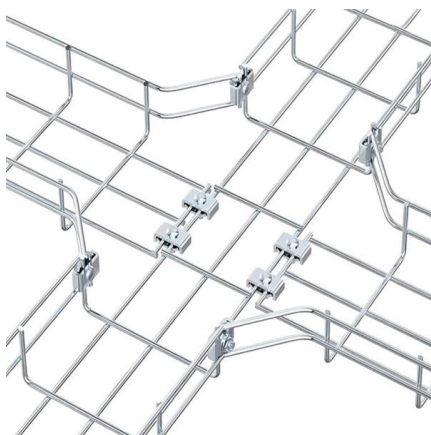


### Logitech

Model Number: 910-006012 Product Name: G305 LIGHTSPEED Wireless Optical 6 Programmable Button Gaming Mouse with 12,000

### What is Differences Between Switch Optical Ports and Ethernet Ports

Switches come in three types: those with purely Ethernet ports, those with purely optical ports, and those with a combination of both. Port types are limited to two: optical and Ethernet.

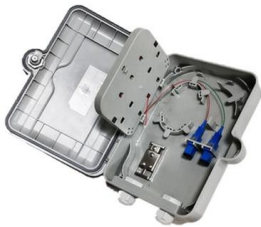


### directory-list-2.4.txt/directory-list-2.4.txt at main

Customer stories Events & webinars Ebooks & reports Business insights GitHub Skills



Soft Cushioned Keys: Enjoy quiet, comfortable keystrokes with gaming-grade membrane switches for smooth and responsive action. Customizable Chroma



### How Many Ports Are On A Network Switch

Learn about the number of ports typically found on network switches and how to choose the right one for your networking needs.

### passman/js/vendor/zxcvbn/zxcvbn.js.map at master

? Open source password manager with Nextcloud integration - nextcloud/passman



### Optical Switching Basics: Types and Technologies

Explore the fundamentals of optical switching, including space, wavelength, time, and hybrid switching techniques. Learn about core components and applications.



## Get Further Understanding of Ethernet Switch Port Types

As the above figure shows, a network switch may support diversified ports. The common port number of FS network switch is 8, 24 and 48. While the



### Brocade G720 Switch Product Brief

The Brocade G720 base configuration comes with 24 ports enabled and can scale to 64 ports by installing SFP and SFP-DD POD licenses in any order and any combination.

### How Many Ports Are On A Network Switch

The number of ports on a network switch varies widely and is a crucial consideration when choosing a switch for a particular networking



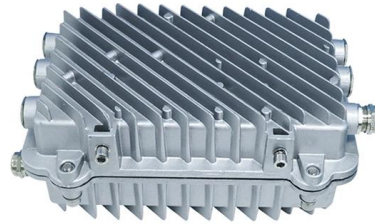
### What is the maximum number of ports in a cisco switch?

In summary, the maximum number of ports in a Cisco switch can vary widely depending on the specific model and series. From compact switches designed for small businesses to large, modular switches



## How Many ONUs Can an OLT PON Port Support?

In fiber optic networks, especially in FTTx deployments, the number of Optical Network Units (ONUs) that a single PON port on an Optical Line



## Logitech

Model Number: 910-002901 Product Name: M317  
Wireless Optical Mouse Color: Blue System  
Requirements: Required: available USB

## What Is An Optical Switch?

An optical switch is an optical device with one or more optional transmission ports, which is used to physically switch or logically operate optical



## Optical Switches: Applications and Requirements

For this application, switches with switching times in the millisecond range are suitable, but a large number of ports (1000+) are preferable. In the event of an optical fiber cable failure, optical switches



## Optical Switches: Applications and Requirements

Optical switches are essential components in the optical industry, finding uses in various applications depending on their switching speed and the number of ports they offer. Let's explore some key



**`zxcvbn-rs/src/frequency_lists.rs` at master**

Port of Dropbox's zxcvbn password strength library for Rust - shsssoichiro/zxcvbn-rs



## Contact Us

---

For datasheets, pricing, or custom high-speed optical interconnect solutions, please visit:  
<https://www.syropy.com.pl>