

What is the housing of the focusing lens for a fiber optic sensor





What is the housing of the focusing lens for a fiber optic sensor



Fiber Optic Collimators , MEETOPTICS Academy

Fiber optic collimators are available in a variety of shapes and sizes, including aspheric, ball, and gradient index lenses. The lens design is determined by the

Fiber Collimator, Fiber-Optic Collimation and Focusing

Fiber-optic collimation and focusing assemblies, together known as fiber collimators, are used for getting enlarged collimated beams out of the optical fibers or for



Fiber Optic Focusing and Collimating Objectives for IR spectral range

1. Introduction Zinc Selenide Infrared Focusing and Collimating Objectives are designed by art photonics to provide maximum coupling efficiency with fiber optic cables. Each objective contains one ZnSe



Types and Applications of Lensed Optical Fiber

Explore Photonstream's comprehensive guide to types and applications of lensed optical fiber--from spherical, conical to segmented designs--ideal for medical



Fiber Laser Lenses

The output optical assembly of a fiber optic beam delivery system consists usually of a collimating lens, a focusing lens, and a protective window.



Fiber Optic Sensor Focusing Lens, Long Distance Glass Optical

Sturdy And Wear Resistant: This light lens is sturdy and wear resistant, not easy to be damaged, with super high temperature resistance and resistance. Multifunctional: This light lens is widely used, and



Fiber Laser Lens Essential Factors For Choosing Perfect Lens

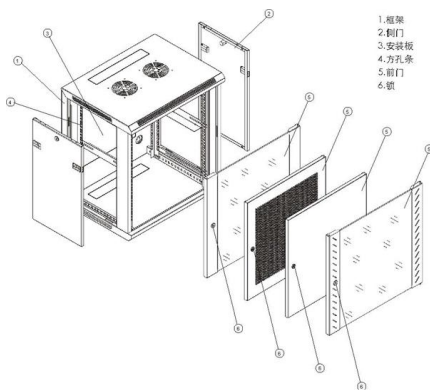
Discover key factors to choose the ideal fiber laser lens for optimal cutting precision, improved efficiency, and enhanced laser machine performance.





How to Choose Focusing Lens for Fiber Laser Machines

Laser focusing lens is very critical to optical fiber lasers. So we hereby take particular to introduce focusing lens until you know its relevant messages well.



A Brief Introduction to Fiber Lens

Different f- theta lenses have different focal lengths, and the marking effects and ranges are also different. Monport fiber laser marking machine uses a

Money

Our experts share the latest news and advice for making better decisions for your financial future.



Focusing Lens Assemblies , Flange Mounted Light

Fiber Bundle Focusing Lens Assemblies Convert Collimated Light Sources to Fiber Optic Sources
Fiber Bundle Focusing Assemblies include a focusing lens,



Inside a Fiber Laser Head: What Each Component Does (and Why It



Right below the focusing optics is the protective window (often called a cover glass), and it's the first line of defense inside the laser head. It's the first thing to catch spatter, smoke, vapor, or



Fiber-Lite Focusing Lenses

Fiber-Lite Focusing Lenses are available in two configurations - mounted in our C- and T-Mount components, or in a slim mount for direct integration with many of our light guides. The C- and T

Fiber Collimators - lens, collimated beam, focal length,

A fiber collimator is an optical device used to transform the diverging light from an optical fiber into a free-space collimated beam. It consists of a lens that holds the



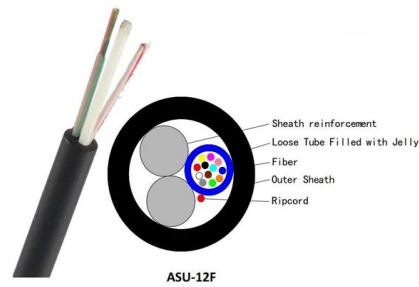
Fiber Optic Collimators , MEETOPTICS Academy

They are made up of a lens or a series of lenses that are incorporated into a housing that is designed to fit the onto end of a fiber optic cable. When the beam exits the



How to Choose Focusing Lens of Fiber Laser Machines

Recently, fiber laser technologies have become increasingly popular because of their high precision, efficiency and versatility. A focusing lens is an

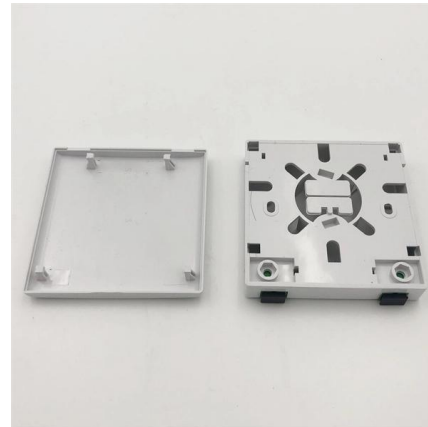


Fiber Lens Lensed Fiber , MEISU

In order to adapt to the shape of LD output beam, wedge-shaped fiber lens can be used by facing the two large wedges to the large divergence Angle of LD, so as

How to select the collimator, focusing lens and optical fiber of the

In the cutting process of the fiber laser cutting machine, the selection of collimator and focusing lens and the configuration of optical fiber are crucial.



The Ultimate Guide to Fiber Laser Lenses and Accessories

Understanding Fiber Laser Lenses Fiber laser lenses are critical for focusing the laser beam accurately onto the material being engraved. A properly selected laser fiber lens ensures clean



Fiber-Lite Focusing Lenses



Fiber-Lite Focusing Lenses are an essential component in reducing divergence of fiber optic light guides. Fiber optic light guides project a large, diffuse beam of light - not a collimated or focused spot. Lens



How to Choose the Ideal Focusing Lens for Laser Cutting?

Selecting the right focusing lens can significantly impact the quality, efficiency, and even cost-effectiveness of your laser-cutting projects. This article

Focusing Lens Assemblies , Flange Mounted Light

Fiber Bundle Focusing Assemblies include a focusing lens, manual shutter, and fiber bundle holder contained into a single enclosure. These assemblies have a 1.5



Fiber Focusing Lens

Used with fiber optic head to focus conical light into small light spots and parallel light spots Complete product range, 8 types of focusing mirrors are available, can be used with M3, M4, M6 fiber optic



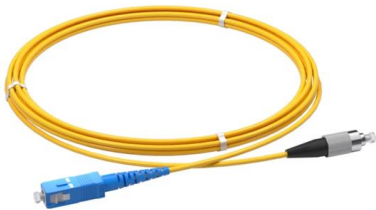
What does the Focusing Lens for Laser Cutting?

In this article, we will focus on one of the crucial components of a laser cutting machine - the focusing lens. From the function focusing lens for laser



How to Choose Focusing Lens for Fiber Laser Machines

The right choice of focusing lens can greatly affect the performance of your fiber laser system, affecting cutting speed, accuracy, and overall results. In



Mastering the Function and Selection of Laser Cutting

Introduction: In the world of laser cutting machines, the heart of precision and efficiency lies within components such as Fiber Focus Lenses and



More products



Mastering the Precision of High-Power Fiber Lasers: An

In this post, we'll dissect the anatomy of a high-power fiber laser system, explaining the function of its parts in the simplest terms. ???Collimating



Fiber Optic Focusing and Collimating Objectives for IR spectral range

Fiber Optic Focusing and Collimating Objectives for IR spectral range User Guide Content Introduction



Contact Us

For datasheets, pricing, or custom high-speed optical interconnect solutions, please visit:
<https://www.syropy.com.pl>