

What is the ODM in the optical distribution box





Overview

The Optical Distribution Module is a compact system used for the distribution and organization of fiber optic connections. OEM/ODM fiber distribution box production refers to the process where manufacturers create and/or modify fiber distribution boxes according to the specific requirements of a customer. What is a Fiber Optic Termination Box?

The Connection Hub at the End of the Fiber Cable A Fiber Optic Termination Box is a small enclosure located at the terminal end of the fiber where it enters your customer premises. It ensures fiber management is structured, minimizes signal loss, and provides accessibility for maintenance and future expansion.



What is the ODM in the optical distribution box



EXEB3 IP66 Distribution Box - Waterproof & Durable

EXEB3 waterproof IP66 distribution box ensures safe, weatherproof protection for electrical systems in harsh indoor and outdoor environments.

CMU School of Computer Science

çç-- bowls è¿~ bowls ç¥"æ^¿ box ç>'å box ç>'å
boxes ç®± boxes æ<³å?» boxing å>½æoe¯
boxing ç"·å© boy å©å boy ç"·å < boyfriends ç"
boyfriends è?å° boyhood ç"·å© boys ç"·ç"Y boys
å½çæEUR brac



Optical Distribution Module

The Optical Distribution Module is a compact system used for the distribution and organization of fiber optic connections. It organizes network cables in an orderly manner and provides easy access.

Durable FTTH Terminal Box , Fiber Termination

Explore reliable FTTH terminal boxes for secure fiber termination and distribution. Wall-mounted design, robust build, for home and industrial optical networks.



unsupervised_topic_modeling/topics/en/15/50/100/topics at

Contribute to annontopicmodel/unsupervised_topic_modeling development by creating an account on GitHub.



ODF Optical Distribution Frame Explained

ODF is primarily is a fiber optic management unit which is used to organize the fiber optic cable connections, used to connect and schedule optical fibers and optical cables.



8 port Fiber Distribution Box

8 port Optical Fiber Distribution Box Indoor / Outdoor Wall Mounted comes with 2 fiber cable ports + 8 ports for drop ftth fiber optic cables. It can install 8pcs





Fiber Optic Cable, Clamps, Boxes, for FTTH

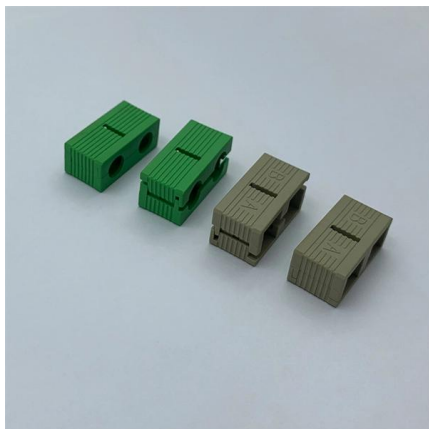
JERA LINE-China Factory produce high-quality fiber optic cables, fiber cable clamps, and fiber optic boxes for outdoor & Indoor FTTH. ISO 9001 certified.



119444 die 110023 und 108646 der 61406 in
39759 von 37276 zu 36337 das 31769 den
30981 fÅ¼r 29484 ist 26923 mit 24596 im
24129 auf 24121 des 23440 nicht 23371 eine
22483 auch 21975 sich

The Pros and Cons of OEM/ODM Fiber Distribution Boxes

OEM/ODM fiber distribution box production refers to the process where manufacturers create and/or modify fiber distribution boxes according to the



ODF Explained: Types, Architecture, Management

An Optical Distribution Frame is not just a passive component, it is the centralized optical management platform that determines the scalability,



Ultimate Guide to Fiber Optic Distribution Box: Types

Fiber optic technology has revolutionized the telecommunications industry, enabling faster and more reliable data transmission. One essential



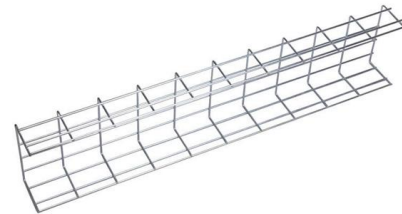
Fiber Optic Wall Plate Guide for FTTH & Telecom Networks

Fiber Wall Plate -> Indoor FTTH termination point connecting ONT Fiber Wall Socket -> Subscriber access interface Fiber Termination Box -> Distribution and splicing node for multiple fibers In short,



High quality FTTH junction box, 48 core IP55 fiber optic

The FDB-48 Series 48-port Fiber Distribution Box is suitable for FTTH projects and can be used in corridors, basements, rooms, and on building exteriors. It has



Pre-Terminated Patch Panel

- Multi-application support
- Flexible configuratvion
- Modular design



Multi-functional Sliding Patch Box, Modular



Modular Sliding Patch Box



Sliding Patch Box, Modular

Optical Distribution Box (ODB) in FTTH Network

Optical Distribution Box (ODB) in FTTH Network: ODB used in FTTH network to provide an intermediate connection or interfacing point between telecom industry main fiber optic entrance

Fiber Optic Patch Cords Guide , Types,



Connectors

Fiber Optic Patch Cords Explained - Practical Guide from ZION Communication As networks move to higher speeds and higher density, choosing



Type and characteristics of optical fiber wiring box

Through the adapter in the wiring box, the optical signal is drawn out with the optical fiber jumper to realize the wiring function. Let's take an in-depth look at the product types and

The Pros and Cons of OEM/ODM Fiber Distribution Boxes

OEM/ODM fiber distribution box production refers to the process where manufacturers create and/or modify fiber distribution boxes according to the specific requirements of a customer.



Fiber Optic Distribution Boxes (FDB) & ODF Supplier

Fiber distribution box is suitable for the wiring connection of optical cable and optical communication equipment, through the adapter in the wiring box, the optical

What Is an Optical Distribution Frame



(ODF)?

An optical distribution frame (ODF) is a central hub in fiber optic networks, crucial for managing and organizing fiber optic cables and connections. ODFs are designed



16 Core Outdoor Fiber Optic Distribution Box IP65 FDB FTTH Terminal Box

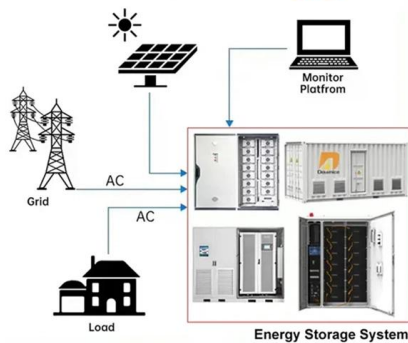
This 16-core Fiber Distribution Box (FDB) is a professional outdoor optical termination enclosure designed for FTTH access networks. Made of high-quality PC+ABS plastic with UV-resistant and

coinkit/coinkit/words.py at master · mflaxman/coinkit · GitHub

Cryptocurrency wallet interfaces for Bitcoin, Litecoin, Namecoin, Peercoin, and Primecoin. - mflaxman/coinkit



DISTRIBUTED PV GENERATION + ESS



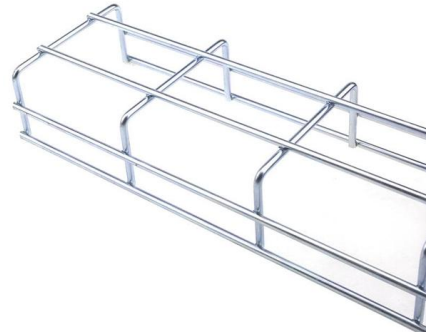
Comprehensive Guide to Optical Distribution Frames

Conclusion Optical Distribution Frames (ODFs) are comprehensive solutions that can reduce costs and enhance reliability and flexibility of fiber optic



Distribution Box Manufacturer, Best Power Distribution

Distribution Box Manufacturer DOHO is a major manufacturer of distribution boxes and products in China. We have been providing quality OEM/ODM service to



Optical distribution frame, terminal box, fiber distribution box, ODF

ODF (Optical Distribution frame) optical distribution frame is an optical fiber distribution device specially designed for optical fiber communication equipment room. The equipment is flexible in configuration,



Guide to Optical Distribution Frames (ODFs)

Optical Distribution Frames are far more than passive enclosures--they are critical infrastructure for managing fiber optic connectivity.



Fiber Optic "Big Three": Termination Box, Distribution

While a fiber optic termination box serves a single user or only a limited number of users (less than five), a Fiber Distribution Box is designed to provide



Optical Distribution Frame (ODF): The



Complete Guide for Fiber

In modern data centers and enterprise networks, Optical Distribution Frames (ODF) serve as the backbone for organizing, terminating, and managing fiber optic connections.



Contact Us

For datasheets, pricing, or custom high-speed optical interconnect solutions, please visit:

<https://www.syropy.com.pl>