

What is a fiber optic adapter kit





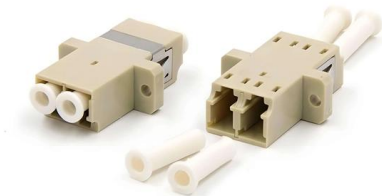
Overview

A fiber optic adapter (or fiber coupler) is a passive component used to join and align two optical connectors. It plays a key role in maintaining core-to-core alignment, allowing optical signals to pass through with minimal insertion loss and stable performance.



What is a fiber optic adapter kit

What is Fiber Optic Adapter and How to Choose it



Fiber optic adapters precisely connect two connectors and minimize losses while transmitting the maximum amount of light. They commonly connect

Amazon : Fiber Optic Cable Repair Kit

50+ bought in past month Add to cart Overall Pick Fiber Optic Termination Tool Kit FTTH Cable Cold Welding Tool Set with X5 Grey Optical Fiber Cleaver with FC-LC Adapter D7 OPM 50+ bought in



Amazon : Fiber Optic Adapter

4Pcs Visual Fault Locator Fiber Adapter, Fiber Optic Connector, Single Mode 9/125um FC Male to LC Female Hybrid Optical Fiber Converter Adapter Compatible with Optical Power Meter Visual Fault



Fiber Panels, Modules & Cassettes

Explore CommScope's efficient and scalable fiber splice panels designed for seamless connectivity. Accommodating LC, SC, and MTP/MPO connectors,



A Comprehensive Guide to Fiber Optic Adapters -

The fiber optic adapter, also known as the fiber optic coupler, is a passive component that enables a detachable connection between two fiber optic

Network Cards, Adapters, and NICs Explained: Types

Learn what network cards, adapters, and NICs are. Understand wired vs wireless, PCIe vs USB, 1G-100G speeds, RJ-45 vs SFP+, installation and



What is a Fiber Optic Adapter: The Most Complete Guide

A fiber optic adapter is a passive mechanical device that precisely aligns and joins two fiber optic connectors (male-to-male), allowing optical signals



Fiber Optic Connectors

Corning's fiber optic connector technology includes proven field-installable fiber connectors which make fiber terminations fast, easy, and reliable.



What is Fiber Optic Adapter?

Fiber optic adapters (also known as Fiber couplers, Fiber Adapter) are designed to connect two optical cables together. They have a single fiber connector (simplex),

SimpliFiber® Pro Optical Power Meter and Fiber Test Kits

SimpliFiber Pro Optical Power Meter and Fiber Test Kits include all the tools necessary to verify and troubleshoot optical fiber cabling systems, measure loss



What is a Fiber Optic Adapter?

A fiber optic adapter (or coupler) is a connector designed to connect two ends of a fiber optic cable with high precision. It uses a simple design where the ends of two separate fiber optic



Buying Guide Fiber Adapters , AMP CONNECT®

Fiber optic adapters play a crucial role in accurately terminating optical fiber cables or connectors. They find extensive use in various systems such as fiber communication systems, LANs, and FTTH (Fiber



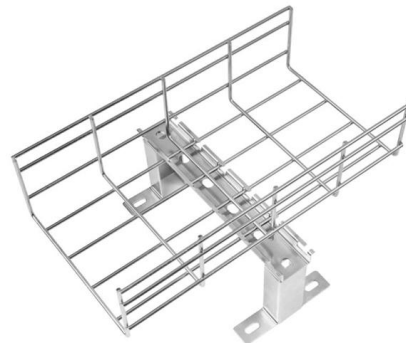
Fiber Optic Connector, FC/UPC, SC, ST, LC, FC/UPC

Amazon : Fiber Optic Connector, FC/UPC, SC, ST, LC, FC/UPC-LC/UPC, SC/UPC-/APC Interchangeable Optical Fiber Connector, 6 Styles for Adapters



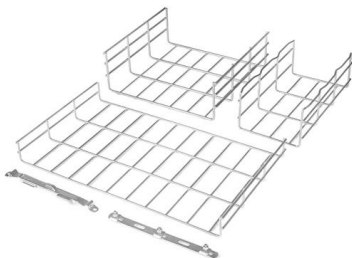
MultiFiber(TM) Pro Optical Power Meter and Fiber Test Kits

The Fluke MultiFiber(TM) Pro Optical Power Meter and Fiber Test Kit is the 1st MPO fiber tester with both single mode and multimode certification. Learn more.



Fiber-optic Adapters - inline, bulkhead adapter,

A fiber-optic adapter, also called a coupler, is a passive mechanical device used to mate and align two fiber connectors. This allows light to pass from one optical



All Kinds of Fiber Optic Patch Cords - SC,

Learn about SC, LC, FC, and ST fiber optic patch cords, their uses in FTTH, telecom, and data centers, and how to choose the right type.



Fiber Optic Adapter Kit

About this item CONTAINS - 5 LC to FC, 5 ST to SC, 5 ST to FC, 5 SC to FC Fiber Optic Adapters all in a durable Plastic snap lock case PROVEN PERFORMANCE

Cables, Adapters, Fiber, Network Add-ons & Tools , Computer Cable

Cables, Adapters, Fiber, Network Add-ons & Tools
This 20m Multimode Duplex OM4 Fiber Optic Patch Cable (50/125) - LC to LC has ceramic ferrules and a 50/125 micron core, this cable is suitable for



Fiber Optic Adapter Guide

A fiber optic adapter, also known as a fiber coupler, is a passive device used to connect and align two optical fiber connectors. It enables optical



Amazon : Fiber Termination Kit

Find professional-grade fiber optic termination kits equipped with visual fault locators, strippers, and precision tools for network setup.

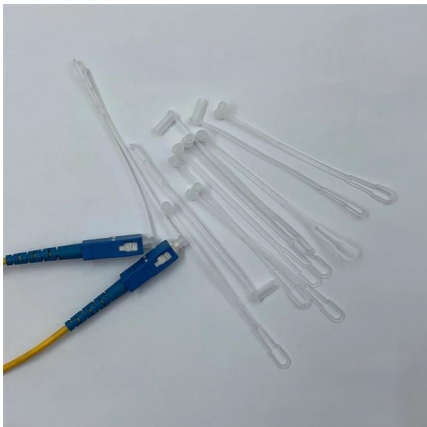


Fiber Optic Adapter/Coupler Tutorial

Fiber optic adapters, or couplers, are essential components in fiber optic networks, providing a reliable and efficient means of connecting different

Amazon : Fiber Optic Repair Kit

Add to cart FTTH optical fiber tool kit with 36000 cutter FC-6S and optical fiber drop cable optical fiber stripper CFS-3 stainless steel Adjustable openin three-port hole optical fiber cold connection (5 in 1)



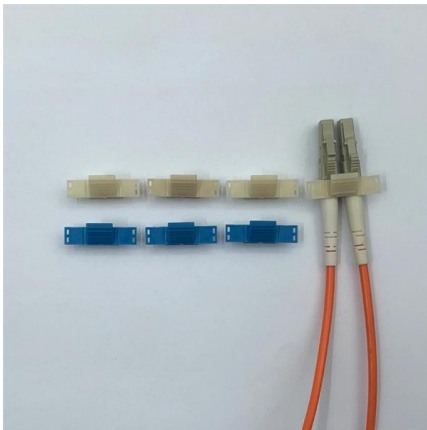
8PCS Fiber Optic OTDR Adapter Kit SC FC ST LC Connector for

When you click on links to various merchants on this site and make a purchase, this can result in this site earning a commission. Affiliate programs and affiliations include, but are not limited to, the eBay



Fiber Optic Adapter Guide: Types, Tips & Solutions

A fiber optic adapter (or fiber coupler) is a passive component used to join and align two optical connectors. It plays a key role in maintaining core-to



Swiss High-Precision Fiber Optic Products , DIAMOND SA

Discover DIAMOND SA's high-performance fiber optic products, from advanced connectors to custom assemblies. Built with our proprietary ferrule technology,

Contact Us

For datasheets, pricing, or custom high-speed optical interconnect solutions, please visit:
<https://www.syropy.com.pl>