

What is a control cable terminal box





Overview

A terminal box is an electrical enclosure equipped with organized terminal blocks designed for frequent access, testing, and modification of connections. An container used to store electrical connections more especially, for wire and cable junction a terminal box These boxes provide a safe and orderly approach to cut off or join many electrical lines. A distribution box, also known as a distribution board or panel, is the central unit that distributes incoming electrical power to various circuits. They provide a safe and secure connection point for multiple wires, and can be used to connect both high and low voltage wiring. So, if you are going to install a control box in your industry or wherever you require it, this guide is for you.



What is a control cable terminal box



What are Terminal and Control Boxes? Key Features, Benefits, and

Discover the essential role of terminal and control boxes in electrical systems. Learn about their features, differences, and why they're critical for safe and efficient operations.

Cable Terminals

A detailed explanation of Cable Terminals, their types, functions, applications and how they help in the passage of current in a system.



Terminal Control Boxes: Streamlining Connectivity and Power

Terminal Control Boxes are enclosures specifically designed for housing terminal blocks, connectors, and electrical devices, enabling seamless wiring and connectivity within electrical systems.

Construction and working principle of terminal box

The working principle of the terminal box is relatively simple. When a wire is connected to a terminal, a conductive path is formed through the metal part of the



Terminal Box vs. Junction Box: The Complete Engineering Guide (2026)

Quick Answer: Terminal Box vs. Junction Box. A terminal box is an electrical enclosure equipped with organized terminal blocks designed for frequent access, testing, and modification of



What are terminal and control boxes

What are terminal and control boxes and their purpose? The main purpose is that terminal/control boxes house and protect electrical connection points for multiple wires. They come in various sizes and are



What Is an Electrical Control Box and Its Uses?

In conclusion, an electrical control box might not be the most glamorous component in the world of electricity, but its importance cannot be understated. From industrial automation to HVAC





What are Terminal Boxes?

What are Terminal Boxes? Terminal boxes have become a popular option for controlling and protecting electrical circuits in industrial, commercial, and residential applications. With their ability to contain



What are Terminal Boxes?

Terminal boxes are devices used to join electrical wiring together. They provide a safe and secure connection point for multiple wires, and can be used to connect both high and low voltage wiring.

What is a terminal box

A junction box, also known as a wire box or terminal box, is a closed container used to fix, protect and connect wires and cables. It is usually made of



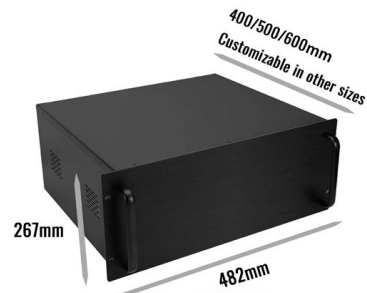
Terminal Blocks: The Building Blocks of Industrial

Terminal blocks provide an organized, clean, and professional-looking control panel. Additionally, using different housing colors and/or marking



What's there to know about terminal blocks for control

Terminal blocks were originally referred to as screw terminals because a screw was used to secure wires to a conducting plate, making an electrical connection. In



UNDERSTANDING TERMINAL BLOCKS USED IN DISTRIBUTED CONTROL

Terminal blocks are used to increase safety and circuit integrity by isolating, fusing, grounding, and otherwise protecting components in an electrical circuit. Standard function for terminal blocks used in



Terminal Box vs. Junction Box: The Complete

A terminal box (often called a terminal enclosure or connection box) is a purpose-built enclosure designed to house electrical junction boxes with



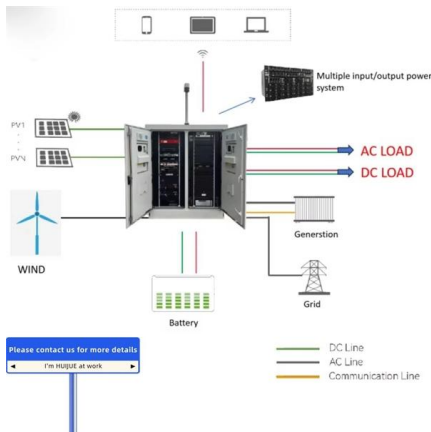
Cable Terminals

What are Cable Terminals? A Cable terminal, also known as a Cable Lug is commonly defined as a fixture, which is installed on the end of a cable (or



Distribution Box vs Control Box vs Junction Box: Key Differences and

It does not control or distribute power in the same way as distribution or control boxes. Instead, its main role is to facilitate safe cable connections and branching.

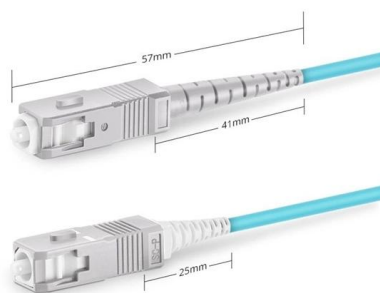


What is a Control Box

Figure no 1 Control box 1) What is a control box? A control box is one of the fundamental parts of many industrial and commercial operations. The focus

The Ultimate Guide to Terminal Junction Box Wiring:

Learn how to properly wire terminal junction boxes for electrical connections. Understand the importance of proper wiring techniques, safety precautions, and



Simplex SC UPC

what is a terminal box

Definition of junction box A junction box, also known as a wire box or terminal box, is a closed container used to fix, protect and connect wires and



Terminal boxes

Terminal boxes - simplicity with effectiveness
When it comes down to it, terminal boxes are really just the simplest version of electrical cabinets. In some exceptional cases, however, they are also used



Mesh door/glass door optional



Sp-601 glass door

Sp-602 mesh door

What are terminal and control boxes

Introduction What are terminal and control boxes and their purpose? The main purpose is that terminal/control boxes house and protect electrical connection points for multiple wires. They come in

Terminal Box Vs Junction Box

You'll often find terminal boxes in control panels, automation systems, and industrial machinery, where structured wiring is a must. They're

Pre-Terminated Patch Panel

- Standard 19" width
- Max 144 fibers in 1U
- Ultra-High Density Ready



Dual-row, easy install & maintain



Lightweight ABS NEMA enclosure



Premium three metal with matte coating



Terminal Control Boxes: Streamlining Connectivity and Power

Conclusion Terminal Control Boxes are integral components of modern electrical systems, offering an organized, secure, and accessible solution for power distribution and connectivity across various



What is a Control Box

Terminal Blocks: Terminal blocks are appropriately attached to electrical wires within the control box. It serves the purpose of making neat



Terminal boxes , thuba Ltd.

Terminal boxes can be subsequently refitted or upgraded with certified cable glands according to national regulations and the manufacturers recommendations. The

Contact Us

For datasheets, pricing, or custom high-speed optical interconnect solutions, please visit:
<https://www.syropy.com.pl>