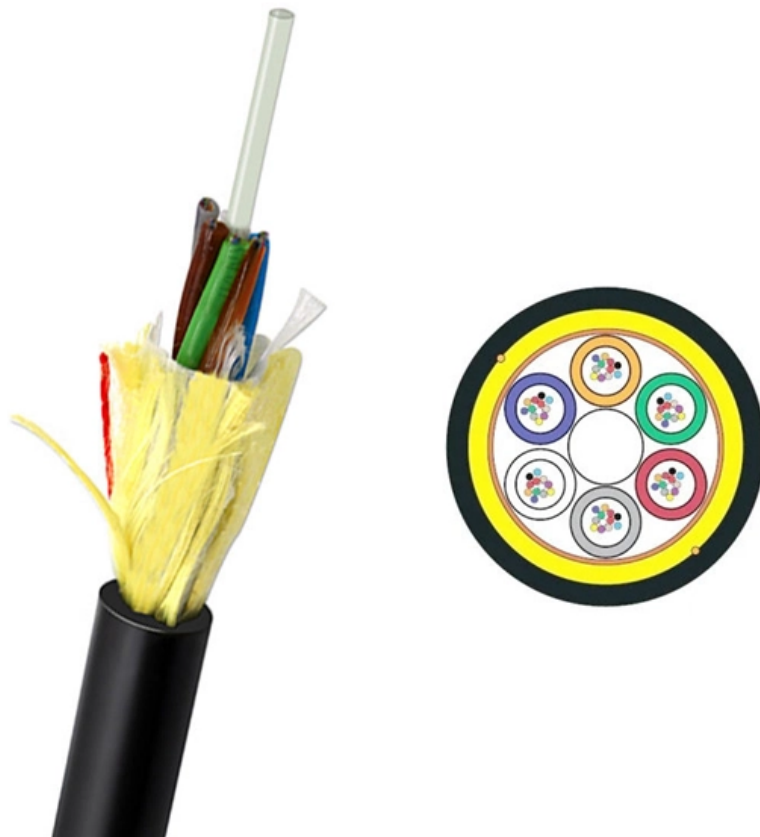


What is 3513 optical cable





Overview

6020-01-608-3513, fiber optic cable assembly This NSN includes a range of related parts designed for specific operational needs. Review each item below to find in-depth specifications, functional details, and guidance for correct application and replacement. Range (°C)There are a wide range of fiber optic cable types, styles, and with different connectors on each end. A fiber-optic cable, also known as an optical-fiber cable, is an assembly similar to an electrical cable but containing one or more optical fibers that are used to carry light.



What is 3513 optical cable

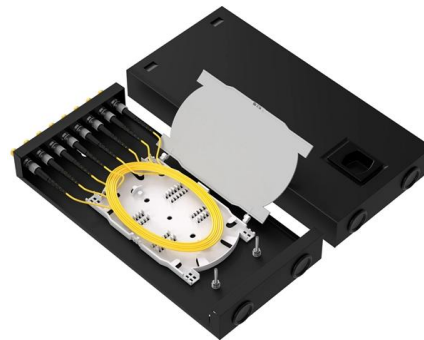
SILICABLE Style 3513, silicone with reinforcing braid

Are you interested in this product? Contact us!
Download SILICABLE® Style 3513 FT1206
Technical data sheet Allowable current
Certificates and statements



DC3513MU-3FT L-COM, DC POWER CABLE, USB TO

Buy DC3513MU-3FT - L-COM - DC POWER CABLE, USB TO 35MM-135MM MALE, PVC. Newark Electronics offers fast quotes, same day dispatch, fast delivery,



2D View

Siechem UL 3513 ATC Silicone Rubber Insulated and Fibre Glass Braided 200 o C 600 Vac Cable Application Product Construction



Cables and Cable Assemblies, Fiber Optic Patch Cable, LC to

Find a wide selection of Cables and Cable Assemblies at Winncom Technologies corp. We offer a wide range of Primus Cable products like Fiber Optic Patch Cable, LC to LC, 10 Gig Multimode 50/125



Fiber Optic Cables Selection Guide: Types, Features,

Fiber optic cables are composed of one or more transparent fibers enclosed in protective coverings and strength members. Fiber optic cables allow signals,



Artel 3513A-C7S FiberLink 2 Channel 3G/HD/SD-SDI

The FiberLink 3513A series supports 2 channels of independent 3G/HD/SD-SDI or DVB-ASI, with or without embedded audio and data, and transmits it over one



Fast shipment in stock Default white and black, contact customer service for notes

4U standard model



Thunderbolt(TM) Optical Cables

Corning's Thunderbolt(TM) 3 and Thunderbolt(TM) 2 optical cables enable high-speed data transfer over longer distances for media, broadcasting, and entertainment applications industries.



UL 3513 Cable

UL 3513 single-core silicone rubber insulated cable, with external fiberglass braid, flexible, for the North American market.

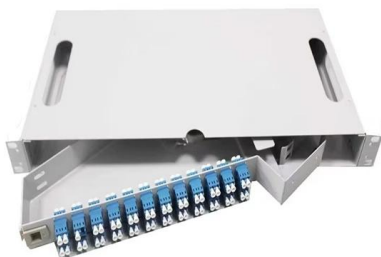


Fiber Optic Basics , Optical Fiber 101 , Corning

Use our fiber 101 tutorials and videos and get the fiber optic basics to learn why optical fiber has fundamentally changed and improved communication.

Fiber Optic Cable Types: A Complete Guide

The plethora of fiber optic cable types can seem overwhelming, but choosing the right cable for the job is important.



Optical Cable Assemblies

Radiall is a global leader in the design, development and manufacturing of high quality optical assemblies and complex optical systems. Learn more about fiber



6015-22-282-3513 Fiber Optic Cable
6015222823513 222823513

One or more individually jacketed FIBER, OPTIC contained in a common covering or two or more FIBER, OPTIC molded together but separated from each other. It may also contain one or more

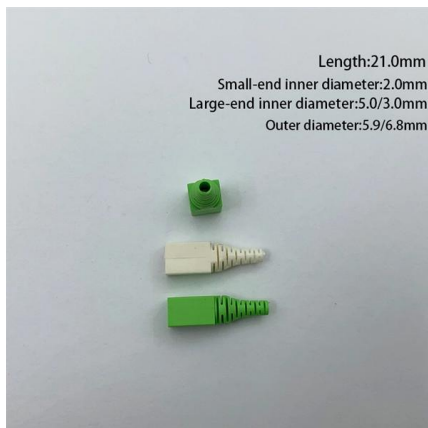


Search results for: 3513 Fiber Optic Cable Assemblies - Mouser

All Products Wire & Cable Fiber Optic Fiber Optic Cable Assemblies Share Show other information about "3513"

Guide to Choosing the Right Optical Fiber Cable , Corning

Fiber Optic Cables Corning's invention of the first low-loss optical fiber ignited the critical spark that began a communications revolution that forever changed the



Search results for: 3513 Wire & Cable - Mouser

Change category view Images Cable Assemblies Coaxial Cables FFC / FPC Jumper Cables Fiber Optic (5) Flat Cables (2) Hook-up Wire (3) Multi-Conductor Cables (3) Wire & Cable Management (35)



Fiber-optic cable

A fiber-optic cable, also known as an optical-fiber cable, is an assembly similar to an electrical cable but containing one or more optical fibers that are used to carry light.

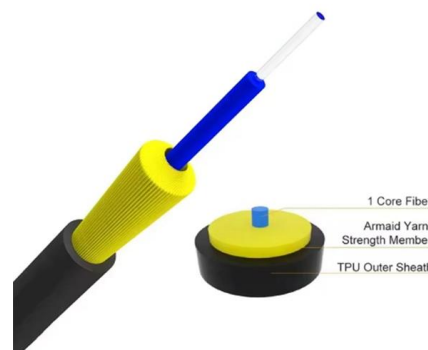


Optical Fiber Explained and Demystified

The difference lies in the attenuation profile of the cable, where OS2 cables have considerably lower attenuation than OS1 cables. The applications supported by

Fibre Optic Cable , Optical Fibre , Eland Cables

View Eland Cables' range of singlemode and multimode fibre optic cables - loose tube and tight buffered. Technical support, fast quote, international logistics and



What Is the Optical Audio Port, and When Should I Use It?

The one standout in home audio/video market is the optical audio cable. Unlike other cabling standards, the optical audio system uses fiber optic



ARTEL FIBERLINK 3513A QUICK START MANUAL Pdf Download

View and Download Artel FiberLink 3513A quick start manual online. FiberLink 3500 Series. 2 or 4 Channel 3G/HD/SD-SDI transmission over one or two single mode or multimode fibers. FiberLink



NSN 6020-01-608-3513 Fiber Optic Cable Assembly

A definite continuous length of cable, fiber optic having both ends cleaved, optically ground and polished and/or terminated in fittings which provide for connection to other items.



Data Sheet 3513

Electrical data (at Tamb 20 °C) Contact resistance Rated current Rated voltage Material group Creepage distance Clearance Insulation resistance discrete conductor, notched flat cable 2.5 mm



Data Sheet 3513

FBL LIY/ZGL x AWG 24 Approved Cables for 3513 S01 Approved Cables for 3513 S02 Approved Cables for 3513 S03 Copyright by Lumberg Holding © 2026





Fiber Optic Cable Buying Guide , Eaton

Fiber Optic Cable Buying Guide Choosing single-mode or multimode fiber for high-performance data networking and telecommunications Fast data transmission,



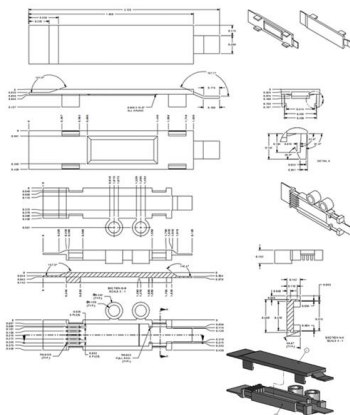
Cables and Cable Assemblies, Fiber Optic Patch Cable, LC to LC, 10

Fiber Optic Patch Cable, LC to LC, 10 Gig Multimode 50/125 OM3, Duplex, 4 Meter. NCNR SOI, MOQ may apply Manufacturer PN #: FB4-3513-LC/LC-4M



6020-01-608-3513 , National Stock Number

View full specifications, availability, manufacturer info, and sourcing data for NSN 6020-01-608-3513. Access verified details to support accurate and compliant procurement



USB 3.Optical(TM) Cables

USB 3.Optical(TM) Cables by Corning connects computers and devices at incredible speed and over longer distances. They're thin, light and remarkably tough -- Optical Cables by Corning can be bent,



Contact Us

For datasheets, pricing, or custom high-speed optical interconnect solutions, please visit:

<https://www.syropy.com.pl>