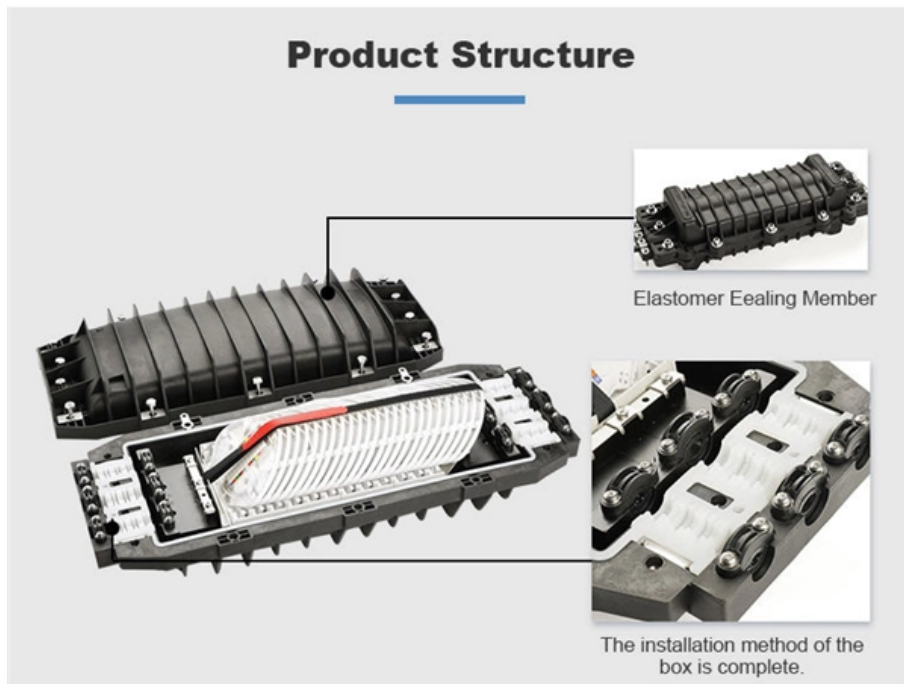


# What does a pigtail cable look like





## Overview

---

It's a short wire with a connector installed on one end, such as a spade or ring terminal, while the other is left bare or blank. These connectors can be a big help when you need to connect two wires, repair damage, or extend a. People often overlook these small components, essential for ensuring a secure and reliable connection in various applications. They connect two or more devices and find their use in telecommunications and data communications, where they serve as a reliable means of transmitting signals.



## What does a pigtail cable look like

---



### How to Pigtail Electrical Wires

Redo if needed for a solid connection. Hot Pigtail: Follow the same steps as the neutral pigtail. 3 Ensuring Solid Connections Twist the wire nut until the wires start twisting together.

### What is a Fiber Optic Pigtail, and What Is It Used For?

If you've heard terms like pigtail plug connector, pigtail tool, or pigtailing wires, this is what they're talking about. It is all about making clean, strong fiber connections easy. Continue reading the



### What Is an Electrical Pigtail?

How Does an Electric Pigtail Work? An Electrical Pigtail is usually not a standalone project and is often used to make other electrical replacements or repairs. For example, you can

### What Is a Pigtail Connector: Types, Uses & Guide

At its simplest, a pigtail connector is a connectorized stub cable: one end comes pre-terminated with a specific connector (RF, fiber, or electrical), and



### What Is a Pigtail Connector? Types, Benefits, and

Learn what a pigtail connector is, how it works, and the best types for electrical and fiber optic systems. Clear definitions, benefits, uses, and installation



### How to Make Pigtail Electrical Wire Connections

How to Make a Pigtail Wire The National Electric Code requires a pigtail wire to be at least six inches long. Electricians often cut



### How To Choose the Correct Pigtail

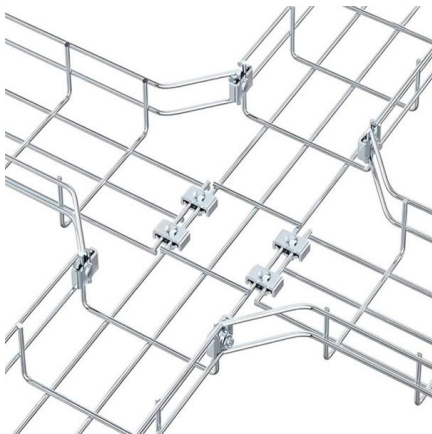
Getting your temporary power system up and running starts with the right pigtail. As you're setting up your electrical infrastructure, pigtails provide a



### What Is a Pigtail Connector



Some pigtails might terminate in genderless connectors which use mechanisms like twist-on marrette-style caps that join two wire ends regardless of gender. When



### How to Make Electrical Pigtails : 7 Steps (with Pictures)

How to Make Electrical Pigtails: This is a basic tutorial on what electrical pigtails are and how to make them. Disclaimer: Always use multiple sources and do your

### What Is a Pigtail Connector? Types and Applications , CZT

Learn what a pigtail connector is, explore electrical and fiber optic pigtail types, pigtailing outlets, pigtail splicing techniques, and how to choose the right one for your project.



### What Is a Pigtail Connector? Types, Benefits, and

The term pigtail refers to the physical appearance of the wire, which often resembles the curly tail of a pig before it is installed. Technically, it is a



## What is a Pigtail Connector and Why It Matters for

A pigtail connector is a short wire with a plug and open ends, crucial for secure and reliable electrical connections in vehicle cable systems.



## The Ultimate Guide to Pigtail Cable Assemblies and

A: On one end of a pigtail cable assembly is a short cable with a connector, and on the other end are bare wires. They are often used for



## What is a Pigtail Connector? A Complete Guide

It's a short wire with a connector installed on one end, such as a spade or ring terminal, while the other is left bare or blank. These connectors can be a



## pigtails electrical connection

Understand the importance of pigtails electrical connection in electronics. Follow our step-by-step guide to ensure efficient and safe connections.





## Everything You Need To Know About Electrical Pigtails

Cable organization: Pigtails help to organize and manage the cables in an electrical system. By connecting multiple wires to a single pigtail, it reduces



## Fiber Optic Pigtail Meaning: What is it and How to

1. What does fiber optic pigtail mean? A fiber optic pigtail works like a bridge between two different connection methods. One end features a factory

## Why Use A Pigtail When Wiring An Outlet?

In other tutorials, I've talked about how to create a pigtail when wiring up an electrical outlet. What I haven't really addressed previously is the "why"



## What Does a Pigtail Connector Look Like? , A Visual Guide

Discover what a pigtail connector looks like in different applications, from household wiring to automotive and fiber optics. This guide details their varied appearance.



## Electrical Pigtail: 6 Steps Wiring Guide for Safe

Learn how to create an electrical pigtail for safe and secure wiring connections. Follow our step-by-step guide and essential tools list.



## Understanding Electrical Wiring: What Is Pigtail?

Understand 'what is pigtail in electrical wiring' in our detailed guide. Get a better grasp on electrical wiring concepts.

## What Is a Pigtail Connector: Types, Uses, and Selection

These connectors typically consist of black plastic but are available in various colors. However, homeowners, car owners, mechanics, and businesses employ them to



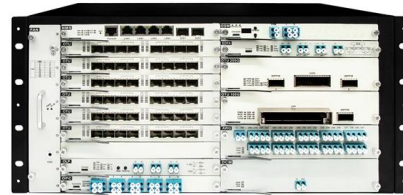
## The Complete Guide to Pigtail Fibers: Simplifying

Whether you're streaming data across continents or setting up a home theater, pigtail fibers play a critical role in ensuring seamless connectivity.



### What is a pigtail wiring harness

Standard lengths range from 6-24 inches, with color-coded wires for easy identification during installation. A pigtail wiring harness is a short, flexible cable used to connect electrical components

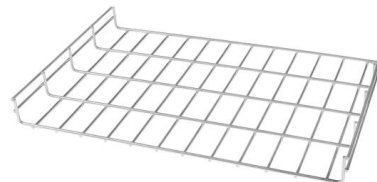


### What Is a Pigtail in Electrical Wiring? A Complete Guide

Learn what a pigtail is in electrical wiring, why it's essential for safety, and how to make secure pigtail connections step by step.

### What is a Fiber Optic Pigtail, and What Is It Used For?

High-quality pigtail cables, combined with proper fusion splicing techniques, provide the highest performance for fiber optic cable terminations.



### wiring pigtails

Through this guide, we've shown how pigtail methods create durable bridges between multiple conductors and terminals. These short connectors protect your circuit by isolating faults, ensuring



## What Is a Pigtail Connector? Types and Applications , CZT

The term "pigtail" comes from the short, tail-like appearance of the cable. Unlike a patch cable, which has connectors on both ends, a pigtail gives you one factory-terminated connector and



## Fiber Optic Pigtails: Uses & Differences from Patch Cords

Understand fiber optic pigtails -- definition, types, and how they differ from patch cords. Learn why pigtails ensure reliable, low-loss fiber terminations.

## What Is Electrical Pigtail Connection

A pigtail connection is an electrical wire connection that involves connecting two or more wires together through a single terminal. A pigtail



## Contact Us

---

For datasheets, pricing, or custom high-speed optical interconnect solutions, please visit:  
<https://www.syropy.com.pl>