

What do PWR1 and PWR2 mean in industrial switches





Overview

PWR1 and PWR2 are power terminals and grounding screws, used for equipment grounding. Figure 4-29 shows the power supply mode of dual AC PoE power modules (PWR1 and PWR2). The outputs are combined on the motherboard, which then provides 12 V voltage for the switch and -53 V voltage for. **WARNING:** Identifies information about practices or circumstances that can cause an explosion in a hazardous environment, which may lead to personal injury or death, property damage, or economic loss. Grounding and wire routing help limit the effects of noise due to electromagnetic interference (EMI). The IKS-G6524A/G6824A series of switches supports dual redundant power supplies: Power Supply 1. What is the Armorgard PowerStor and what is its primary purpose?

The Armorgard PowerStor (PWR1 & PWR2) is a secure, walk-in lithium-ion battery charging and storage container designed specifically for construction sites, depots and industrial facilities.



What do PWR1 and PWR2 mean in industrial switches



Installation Guide Omada Industrial Easy Managed Switch

Installation Guide Omada Industrial Easy Managed Switch The images in this guide are for demonstration only and may differ from your actual product.

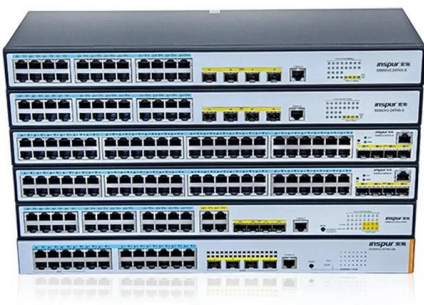
Do You Really Need Both CPU Power 1 and 2 for Optimal Performance?

Discover whether you need both CPU Power 1 and 2 for optimal performance in your computer setup. This guide explains the differences and benefits of using dual CPU power sources. Learn how to



Support

H3C IE4300-12P-AC & IE4300-12P-PWR Industrial Switches Hardware Information and Specifications-6W102



Back to the Basics: Understanding Industrial Buttons

Industrial Switches and Pushbuttons In our modern daily lives, we all interact with buttons and switches. The switches on keyboards, the light switch in



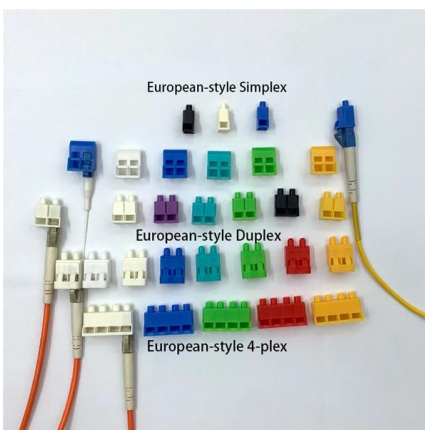
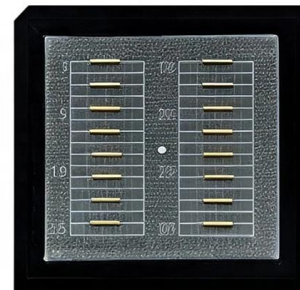
Technical Specifications

Supported Power Adapters Table A-5 and Table A-6 list the supported power adapters for Cisco 819 ISRs. The PWR1 AC and DC adapters uses molex connector while PWR2 uses barrel



JetNet3010G

When the primary power source fails (the default setting is PWR1), the system will automatically switch to the secondary power source (PWR2), preventing any power interruption.



Cisco IE 4010 Switch Hardware Installation Guide

For a description of the PSU OK LEDs, see Power-Supply Module LEDs. Power-Supply Module Installation This section contains the following



IES3220 Series Switch Quick Start Guide V1.2 , FS

Vielen Dank, dass Sie sich für die Industrielle Switches der IES3220 Serie entschieden haben. Diese Anleitung soll Sie mit dem Aufbau der Switches vertraut machen und beschreibt, wie sie zu



Armorgard PowerStor o Secure Li-Ion Battery Charging

Available in two practical sizes (PWR1: 1 m deep and PWR2: 2 m deep), both models function equally well as a high-capacity charging cabinet and a secure battery storage box, protecting both people

What Are Industrial Ethernet Switches and How Do They Enhance

Industrial Ethernet switches are ruggedized network devices designed to provide reliable, secure, and high-performance Ethernet connectivity in harsh industrial environments. They enable



Rolls-Royce PWR

PWR2 The PWR2 was developed for the Vanguard -class Trident missile submarines and is a development of the PWR1. The first PWR2 reactor was completed in 1985 with testing beginning in



Basics of Power Switches (Rev. A)

Load Switches establish the power switch foundation by providing safe and reliable distribution of power. Applications typically using load switches include power distribution, power sequencing, inrush



POE Industrial Switch

PWR1 and PWR2 are power terminals and grounding screws, used for equipment grounding. When transmitting data, the network port indicator flashes, and the power indicator is

Reddit

Hier sollte eine Beschreibung angezeigt werden, diese Seite lässt dies jedoch nicht zu.



Industrial Ethernet Switches

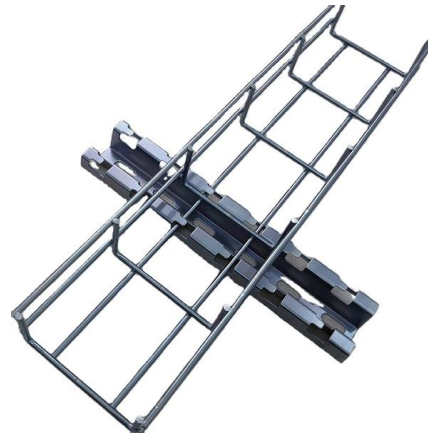
Adaptable and universal Switches are the basic coupling elements in Ethernet networks. They connect the Ethernet participants together. In an Ethernet network the communication basically originates





Pressurised water reactor (PWR) , Portal on Nuclear Safety

A pressurised water reactor plant has two separate circulation systems for the turbine and the reactor: the primary and secondary coolant circuits. The primary



Stratix 2000 Ethernet Unmanaged Switches User Manual

Stratix® 2000 switches provide protection against broadcast storms. When the broadcast storm protection feature is enabled, the switch drops incoming broadcast traffic if the traffic exceeds a



S2700-52P-PWR-EI

When a switch has two power modules installed, the two power modules work in redundancy mode to provide power for the chassis and in load balancing mode to provide power for PDs. Figure 4-29



Pressurized Water Reactors

Western Pressurized Water Reactor PWR There are two major flow systems, the primary system and the secondary system, utilized to transport and convert the heat generated in the fuel into electrical





IES618 Series Industrial Ethernet Switch

DC Series Switch: block (4 bits) for PWR1 and PWR2 input. The redundant power can be used single and used two self-governed power to supply to the system, PWR1 and PWR2 input at the same time,



ETN, GEV, NEE, PWR, VRT Stocks Stand To Gain After US

On April 20, the White House invoked the Defense Production Act to classify the power grid and energy systems as vital to national security.

Installation Guide

When the switch has two power supply modules installed, both PWR1 and PWR2 will work simultaneously in the load sharing mode by default. They can also work simultaneously in the



MSI Global

When CPU Power LED stays lit, it indicates the 8-pin CPU power connectors (CPU_PWR1 and CPU_PWR2) are only connected to the 4-pin power connector. Please check the connection,



Cisco Catalyst IE9300 Rugged Series Data Sheet

Product overview Cisco Catalyst IE9300 Rugged Series switches with 28 ports of Gigabit and 10 Gigabit Ethernet interfaces deliver high-speed Ethernet connectivity in a compact form factor and are



Cisco Industrial DIN-Rail Power Supplies Data Sheet

The Cisco® portfolio of industrial din-rail power supplies offers a wide range of options to power your industrial Ethernet switches, industrial routers, and industrial computing products.

Regulation

The regulation outlines EU rules on packaging and packaging waste, including design and waste management.



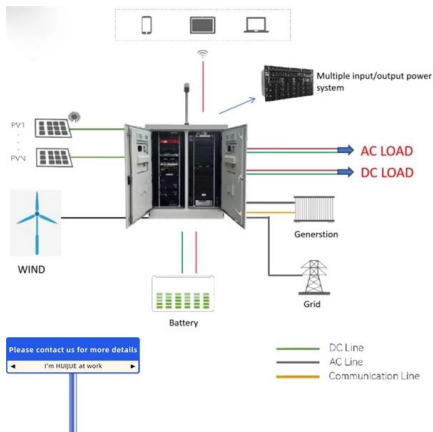
IKS-G6524A/G6824A Series Quick Installation Guide

The IKS-G6524A/G6824A series of switches supports dual redundant power supplies: Power Supply 1 (PWR1) and Power Supply 2 (PWR2). The connections for PWR1 and PWR2 are located on the rear



PWR1, PWR2 on, it shows the power is on and normal

C. Power Connection Industrial Ethernet switch supports 46-57V DC input, and it is with reverse polarity protection.



PWR Description

Other means to control reactivity in PWRs (2) Burnable absorbers ("poisons") loaded in fuel. Gd (Gd²⁰³) has higher σ_a than ²³⁵U, thus it "burns" faster than fuel, which tends to increase k_{eff} over time .

Contact Us

For datasheets, pricing, or custom high-speed optical interconnect solutions, please visit:
<https://www.syropy.com.pl>