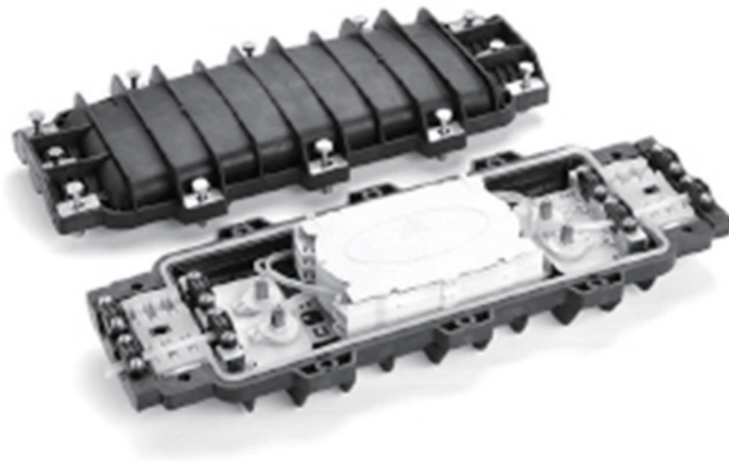


# **What are the standards for optical fiber signal measurement**





## Overview

---

Both the IEC 60793 and IEC 60794 series of standards are developed by IEC Technical Committee 86, which prepares standards for fibre optic systems, modules, devices, and components primarily intended for use with communications equipment. Abstract: We describe current measurement capabilities as well as research focused on two areas: improving temporal and frequency response characterization of detectors and instrumentation using electro-optic sampling, and improving wavelength metrology using frequency combs. Fiber optic networks are built on well-defined standards that ensure quality, performance, and interoperability. This article explains eight of the most important global fiber and cable standards — ITU-T, IEC, TIA, ISO/IEC, and Telcordia — covering their scope, applications, and why they matter in. Note: This list was assembled from a number of sources with various dates - we doubt it is complete because they change all the time. FOA standards align with IEC and TIA, giving you clear steps to earn trusted certification.



## What are the standards for optical fiber signal measurement

---



### Measure Optical Power FOA-3a

© 2025, The Fiber Optic Association, Inc.  
Measure Optical Power FOA-3a.docx, 1/12/25, 1

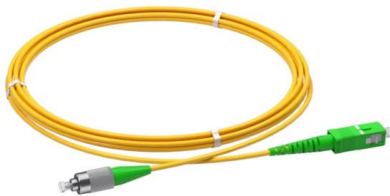
### Recommendation ITU-T G Suppl. 47 (03/2025)

Supplement 47 to ITU-T G-series Recommendations provides information on the general transmission characteristics of single-mode optical fibres and cables specified in the ITU-T G.65x-series of



### The FOA Reference For Fiber Optics

Fiber optic power meters measure the average optical power out of an optical fiber. Power meters typically consist of a solid state detector (silicon for short



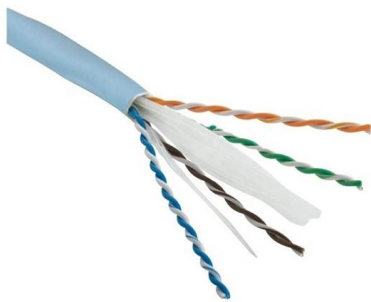
### A Guide to Understanding Fiber Optic Standards and Their Role in

Final Words By understanding fiber optic standards and their implications, stakeholders can better navigate the challenges and opportunities of building future-proof, high-performance



### Fiber Optic & Cable Standards Guide , FiberMania

Fiber optic networks are built on well-defined standards that ensure quality, performance, and interoperability. This article explains eight of the most



### Understanding and defining fiber optic measurements

An optical time domain reflectometer. OTDRs are available as traditional bench-type instruments, hand-held OTDR and fiber break locators and remote fiber testing



### ITPro Today, Network Computing, IoT World Today combine

ITPro Today, Network Computing and IoT World Today have combined with TechTarget . The page you are looking for may no longer exist.





## Fiber Optic Testing: A Comprehensive Guide

Explore fiber optic communication testing including mechanical, geometrical, optical, and transmission tests. Learn about key measurements and components.



## The Fiber Optic Association

Other groups may have fiber optic standards also: ANSI is the governing bodies for standards in the US, NIST provides primary standards, IEEE has standards for

## Fiber Optic Standards & Testing Guide for Cables

Explore international standards and testing for fiber optic cables, MPO/MTP, and connectors. Understand performance, reliability, and compliance.



## Fiber Testing Standards 2025 Guide for IEC and TIA

Follow the latest IEC, TIA, and FOA fiber testing standards in 2025 to ensure your network stays reliable and meets legal and insurance requirements.

## The FOA Reference For Fiber Optics



Metrology - The Science Of Measurements One issue affects everyone who is designing, installing or using fiber optics - measurements. We depend on them to



### **Fiber Optic & Cable Standards Guide , FiberMania**

IEC 60793 defines the physical and optical performance standards for both single-mode and multimode optical fibers. It includes measurement

### **Overview of optical fibres standardization**

Readers of this document are encouraged to seek information on specific matters regarding Optical cables and components from the manufacturer or provider and to consider the Technical Standards



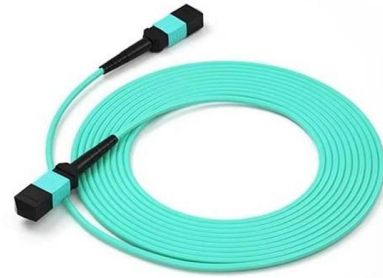
### **Fiber Optic Standards and Protocols**

TIA Fiber Optic Test Procedures cover a range of measurements, including testing the loss of installed single-mode fiber cable, optical power loss



## NIST Optoelectronic Measurements for Fiber Optic Applications

2. Optical fiber measurements NIST currently has optical fiber measurement efforts in polarization moded spersion, fiber diameter, and mode-field diameter, and traceability for these measurements is enabled



### OPTICAL FIBER POWER MEASUREMENTS

Abstract We describe NIST measurement services for the calibration of optical fiber power meters. To augment the absolute power measurements NIST provides nonlinearity, spectral responsivity, and

### Measurements in fiber optic systems

Measurements in fiber optic systems: general description of methods. Among the measurement methods defined by PN-ISO/IEC 14763-3 and PN-EN 61280-4-2 standards, we can distinguish those



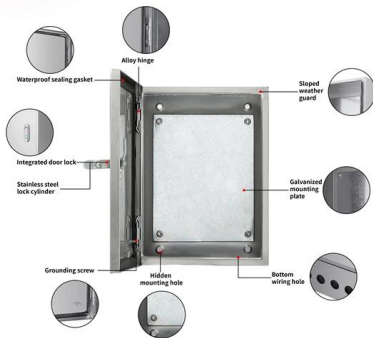
### Basics of Optical Fiber Measurements , Springer Nature Link

For measurement of these parameters, the common optical components, instruments, as well as fiber handling are briefed. Then, the measurement techniques are presented along with the geometry



## Fiber Optic System Testing Tutorial

AEN 135, Revision 4 This Applications Engineering Note (AEN 135) explains and recommends standard measurement methods for characterizing optical fiber system performance.



## Basics of Optical Fiber Measurements

For measurement of these parameters, the common optical components, instruments, as well as fiber handling are briefed. Then, the measurement techniques are presented along with the geometry

## Optical Fiber , Optical Fiber Products , Corning

Optical fiber broadband brings together a culture of innovation, quality, and manufacturing excellence to create life-changing products.



## New commented version of standard for optical fibres

The IEC has published a commented version of IEC 60793-1-44, focusing on optical fibres measurement methods, as well as test procedures for



## The FOA Reference For Fiber Optics

The FOA charter is "To promote professionalism in fiber optics through education, certification and standards," and has been involved in these standards



## NIST Optoelectronic Measurements for Fiber Optic Applications

NIST researchers have contributed to the improvement of measurements for optical fiber applications since 1976, when the organization was known as the National Bureau of Standards.

## What is Fiber Optic Measurement? Importance, Working

Fiber optic measurement is the process of evaluating the optical and physical properties of fiber optic systems to ensure their performance aligns with desired

LoRa handheld portable base station



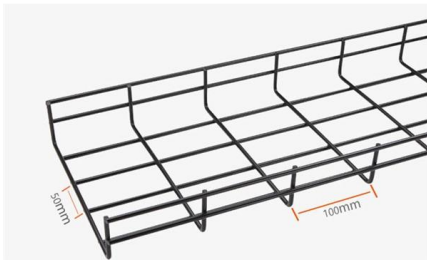
## Optical and FTTH Measurement FUNDamentals!

An OSA performs measurements of wavelengths (channels), optical signal power distribution, WDM and noise power characteristics of light waves. In addition, an



## Fiber Optic Measurement Procedures , Kingfisher International

Application note: Overview of practical fiber optic loss measurement concepts, procedures and practice for all types of fiber systems.



## Fiber-Optic Measurement Techniques

Fiber Optic Measurement Techniques is an indispensable collection of key optical measurement techniques essential for developing and characterizing today's photonic devices and fiber optic systems.

## The Fiber Optic Association

There are a number of ways of finding out more about cabling standards. You can buy a complete copy of the EIA/TIA or ISO/IEC standards which can be very



## Contact Us

---

For datasheets, pricing, or custom high-speed optical interconnect solutions, please visit:  
<https://www.syropy.com.pl>