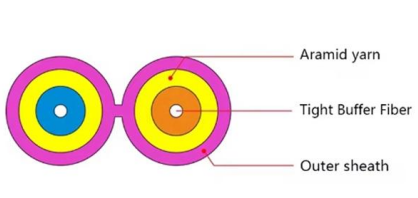


What are some manufacturers of trough-type cable trays





What are some manufacturers of trough-type cable trays

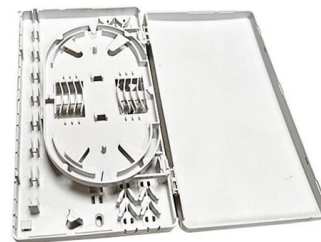


Top 7 Types of Cable Trays and Their Applications

Discover the top 7 types of cable trays including Ladder, Perforated, and Wire Mesh. Learn their applications and benefits for efficient cable

Browse Electrical, Cable Trays, Troughs, Raceways Category

Comprehensive manufacturers list for Electrical, Cable Trays, Troughs, Raceways Products/Services



Product Catalogue Cable Management Solutions

With over 20 years of experience T& B Cable Tray provides a complete solution in cable management systems including design, manufacturing and technical support by offering a complete solution for

What are the main types of cable tray?

Introduce the main types of cable tray including ladder cable tray, perforated cable tray, solid bottom cable tray and wire mesh cable tray.



Pentax Ferro Incorporate

Cable trays are an assembly of formed metal sections, connected by splice plates to provide an economical and rigid structure for supporting a wide range of electric



Trough Cable Trays & Accessories Manufacturer in

Leading Trough Cable Trays Manufacturer , OTEES India OTEES India, the top-notch manufacturer of trough cable trays, offers premium quality and well



Cable Trays: A Comprehensive Guide to Cable Management Solutions

Some manufacturers and types provide adjustable elbows, useful for field-fitting a tray around obstacles or around irregular shapes. Various clamping, supporting and splicing accessories are used with the



FRP Cable Trays - Mahavir Industrial Corporation

Manufactures as per NEMA / BIS / Consultants specification. Sintex FRP Cable Trays are available in the following types: Ladder type FRP Cable trays : Two



Types Of Cable Trays And Why You Should Use Them

Hutaib Electrical is the leading Manufacturer of cable trays in Pune. we supply various types of cable trays at affordable prices. The expertise of our

Premium Trough Type Cable Tray Systems

Discover high-quality trough type cable tray systems offering exceptional load capacity, superior cable protection, and flexible installation options for industrial, commercial, and data center applications.



Cable Tray Today: An overview , Cable Tray Institute

This style of cable tray is available non-ventilated or ventilated, as shown in (figure D). Center supported cable trays Today, another type of cable tray is available for cable support and management. These



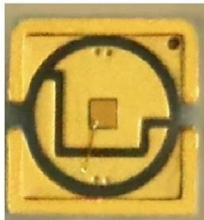
Types of Cable Trays and Their Applications

Cable trays are an essential component in modern infrastructure, having numerous use cases in various industries. In this blog, we will discuss the



Trough Trays , Cable Tray and Reels , Wire and Cable Management

Cablofil steel trough trays provide the strength and security required when then need to limit cable access is of primary importance.



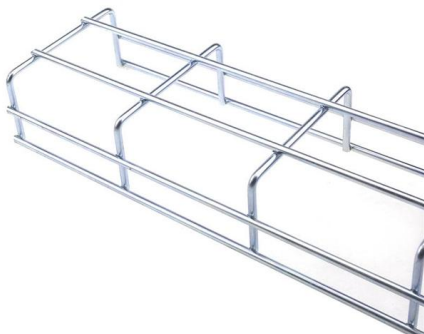
The Cost of Cable Trays vs. Other Cable Management

Discover the true value of cable trays compared to other cable management solutions. Learn about cost considerations, material options, installation,



Top Cable Tray Manufacturers Worldwide: A

This guide offers an in-depth look at some of the top cable tray manufacturers worldwide, broken down by region: Europe, South America, North





Cable Troughs (Cable Trough, Cable Racks, Cable Trays, Cable

Our cable tray products are widely used for the convenient, reliable, efficient and safe management of electrical cables used for power distribution, control and communication.

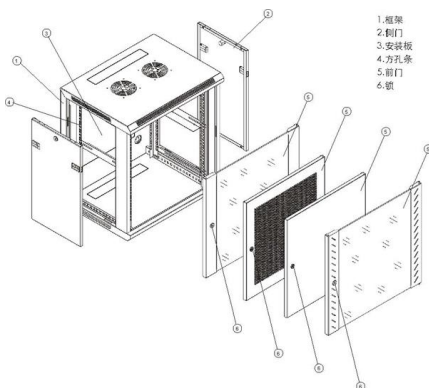


What are the 5 basic cable tray types?

Cable trays are an essential component in electrical installations, providing a safe, efficient, and organized way to support and route cables. Understanding the different types of cable trays is crucial

Top 10 Cable Tray Manufacturers

Selecting the right manufacturer for cable trays is crucial. This article features the top ten cable tray manufacturers that offer quality products and



Cable Trays: How to Choose the Right Type for Your

Conclusion Cable trays are an essential component of any cable management system, providing support, protection, and organization for cables.

Top 10 Cable Trays Manufacturers And Suppliers , B2B



This list of top 10 online B2B marketplaces and manufacturers will lead you to find your perfect cable trays based on your business requirements.



Cable tray, Wireway

Find your cable tray easily amongst the 87 products from the leading brands (Ebo Systems, By CARPEL, Black Box,) on DirectIndustry, the industry specialist for

Trough Cable Trays Supply and Manufacturing

A trough cable tray is a type of cable management system designed to protect and support electrical, communication, or data cables in commercial, industrial, or



Cable Troughs Manufacturers and Suppliers in the USA and Canada

Manufacturer of standard and custom fiber optic cable distribution systems, including troughs. Broadband and multi system operator, electric utilities, telecommunication, municipalities,





Contact Us

For datasheets, pricing, or custom high-speed optical interconnect solutions, please visit:

<https://www.syropy.com.pl>