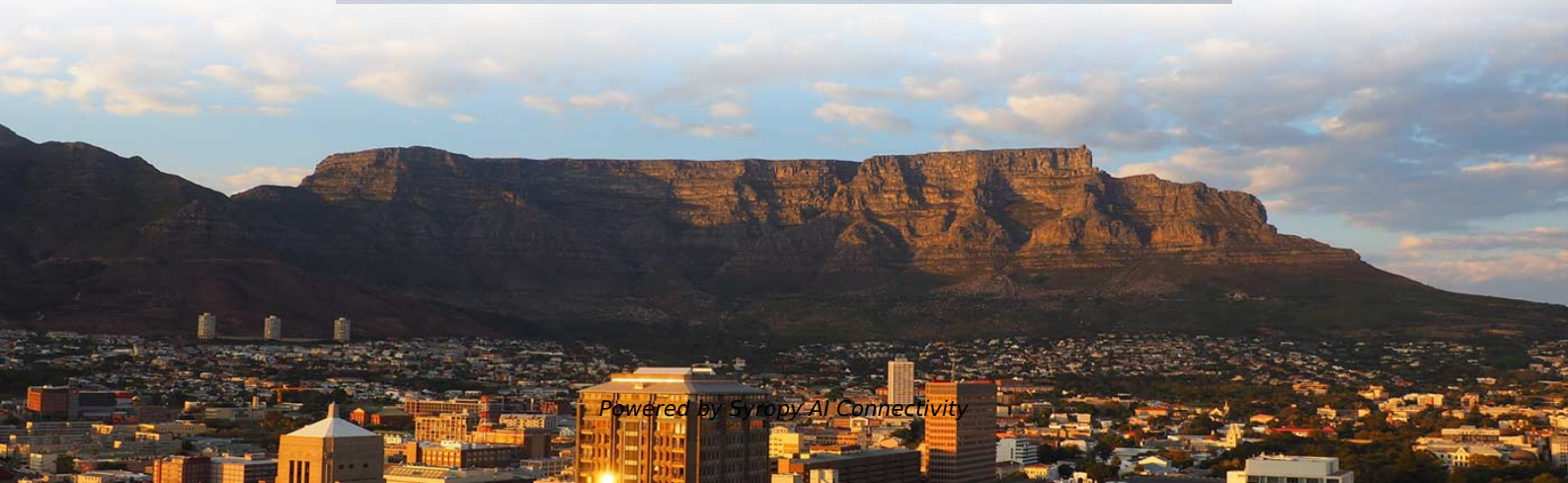


What are some brands and manufacturers of optical fiber fusion splicers





What are some brands and manufacturers of optical fiber fusion splicing machines?



Top 6 Best Fusion Splicer Splicing Machine in 2023

Fusion splicers are an essential tool for fiber optic network installation and maintenance professionals. They are used to splice two fiber optic cables.

Fiber optic fusion splicer

Find your fiber optic fusion splicer easily amongst the 10 products from the leading brands (DIAMOND, NanJing-SKYCOM Communications, Hopu Optical,) on DirectIndustry, the industry specialist for



What are the different types of fiber optical fusion splicers?

After the splicing is completed, if the core concentricity of the optical fiber is not at the dead point, the core of the optical fiber may shift slightly. When cost is an

Top Fiber Fusion Splicer Suppliers & Manufacturers in

That's why fusion splicer is essential to fiber optic installation service providers or fiber internet service providers themselves. Here list as many as



Top Fiber Optic Electric ARC Fusion Splicers

If you're a field technician requiring portable, easy-to-operate splicers, brands like Fitel and Fujikura are ideal. Their devices prioritize user-friendliness



Fiber Optic Splicing: Examining the Factors that Affect

Learn the the intrinsic and extrinsic factors that can impact fiber optic splice performance and how you can create the best fiber optic network.



Splicing Machine , Fiber Fusion Splicer , Fiber Optics

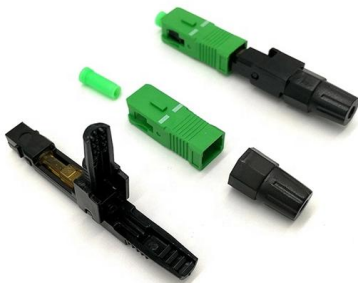
Fiber Fusion Splicers GAO's fiber fusion splicers are used in the field of fiber optics to join or splice two optical fibers together. Our product is an essential tool for creating a continuous and low-loss





10 Best fusion splicers

Fusion Splicer AI-5A Fiber Optical Fusion Splicer, Core Alignment Fiber Splicer Machine with 5200mAh Large Battery Capacity for SM& MM The AI-5A fusion splicer excels in extreme environments,



Optical Fiber Fusion Splicer Market Size, Industry Share 2035

The global Optical Fiber Fusion Splicer Market, valued at \$0.74 billion in 2026, is forecasted to grow to \$1.02 billion by 2035, at a CAGR of 3.59%.

Top 100 Fusion Splicer Manufacturers in 2026 , ensun

A fusion splicer is a specialized device used to join two optical fibers together through an advanced process known as fusion splicing. This technique involves aligning the fibers precisely and applying



OPTICAL FIBER FUSION SPLICER AI-9 Signal Fire

The AI-9 optical fiber fusion splicer uses the high-speed image process technology and special exact orientation technology, so that the whole process of fiber's



Fusion Splicer Companies

This report lists the top Fusion Splicer companies based on the 2023 & 2024 market share reports. Mordor Intelligence expert advisors conducted extensive research and identified these brands to be



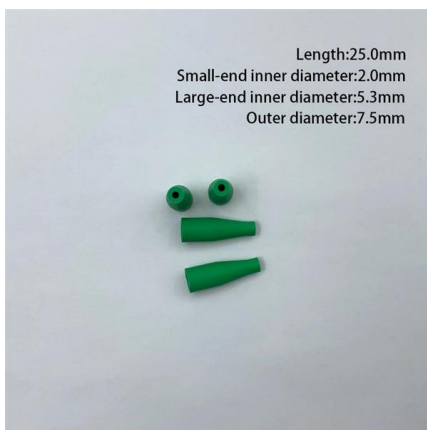
Hot selling fusion splicer brands ranking

More and more fusion splicer brands come to the market, you may want to know which one is good? Lets check the latest fusion splicer brands ranking for reference.



Fusion Splicers Demystified: Choosing the Right Model for Your Fiber

In the world of fiber optic installation and repair, the fusion splicer is a core tool. Whether you're deploying new networks, performing maintenance, or scaling up existing infrastructure, the



Our 10 Best Fibre Fusion Splicer in the US

Signal fire Optical Fiber Fusion Splicer, SM& MM Automatic Intelligent FTTH Fiber Optical Welding Splicing Machine w/ Digital LCD Screen, Optical Fiber Cleaver Kit, Ai-6C+ Splicing 8S Heating 18S



How to Choose a Fiber Fusion Splicer That Best Fits

A fusion splicer is used for combining or splicing two optical fibers end-to-end via fusion. The objective here is to fuse the fibers together in such a

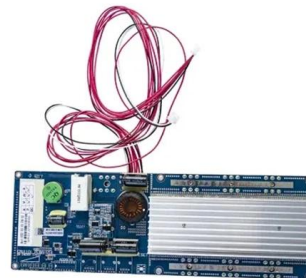


Top 100 Fusion Splicer Manufacturers in 2026 , ensun

JILONG offers a range of fiber optic fusion splicers, highlighting their commitment to providing high-quality communication solutions. Their strong brand reputation and extensive product lineup make

Best Fusion Splicer

The Fusion Splicer is used for splicing two optical fibers end-to-end by fusion. In the market, the famous brands for fusion splices are Fujikura,



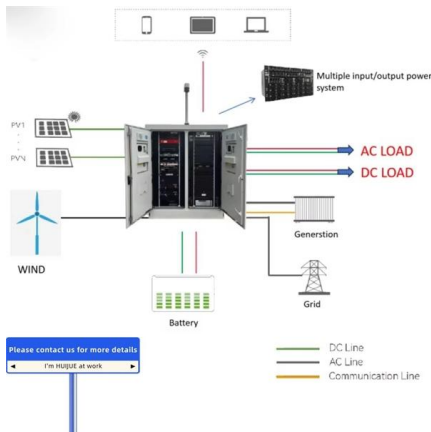
Best Fusion Splicer Comparison

Overview: A fiber fusion splicer is a device used to join two optical fibers end-to-end using an electric arc. The device aligns the core and cladding of the fibers so that they can be fused together.



Best Splicing Machines of 2024 , Top 5 Fiber Fusion Splicers for

Best Splicing Machines of 2024 , Top 5 Fiber Fusion Splicers for Professionals In the world of fiber optics, the quality and efficiency of splicing machines are crucial. Whether you're a



5 Best Fusion Splicers Review & Buying Guide 2025

Are you a professional fiber optic technician, network engineer, or telecom installer looking for the best fusion splicer to ensure high-quality, low-loss connections? Finding the right tool is

The FOA Reference For Fiber Optics

Probably no fiber optic component has been given greater attention than connectors. Manufacturers have come up with over 80 styles of connectors and about a



Best Optical Fiber Fusion Splicer Comparison

Optical fiber fusion splicers are critical tools for installing and maintaining optical fiber networks. When selecting a fusion splicer, it is important to consider the type of splicer, the features,



How to Choose the Best Optical Fiber Fusion Splicer?

The fusion splicer is used for splicing two optical fibers end-to-end by fusion. It is an indispensable tool for fiber OSP and indoor cable network



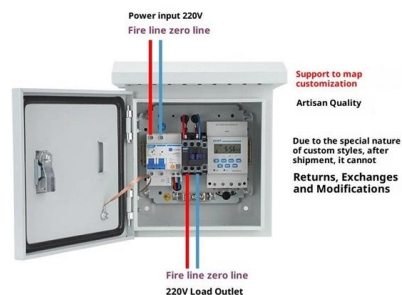
Fiber optic fusion splicer

Find your fiber optic fusion splicer easily amongst the 10 products from the leading brands (DIAMOND, NanJing-SKYCOM Communications, Hopu Optical,) on

Fusion Splicers Manufacturers and Suppliers in the USA and Canada

Find Fusion Splicers Manufacturers and Suppliers in the USA and Canada on Thomasnet

Product Wiring Diagram



Fusion Splicers and Accessories - Fujikura Europe

We are renowned for innovative, high-quality fusion splicing equipment. Our splicers are used everywhere, from labs in the world's leading



Hot selling fusion splicer brands ranking

Shinoh is a special one among this, its 6 motor core alignment fusion splicer very similar to Fujikura 70S, and SHINHO also supply specialty fiber fusion splicers, such as large diameter fiber fusion splicer,



Fiber Fusion Splicers

The process of fusion splicing normally involves using localized heat to melt or fuse the ends of two optical fibers together. The splicing process begins by preparing each fiber end for fusion.

Top 5 Fusion Splicers for 2025: Precision Tools for Fiber

Top-rated models include the Fujikura 90S+, INNO View 8+, and Sumitomo Type-72C+, each suited to different use cases and environments.



Contact Us

For datasheets, pricing, or custom high-speed optical interconnect solutions, please visit:
<https://www.syropy.com.pl>