

Welding method for the bottom of cable tray





Welding method for the bottom of cable tray



Connecting Cable Trays: Your Guide to Secure and

Learn common methods for connecting cable trays safely and efficiently. Our guide covers splice plates, quick-connects, and key tips for secure

Cable Tray Erection Method Statement , PDF , Welding

This method statement refers to various work procedures contained within Honeywell Automation India Ltd. and Design / Drawing / Contractual specifications /



Cable Tray Technical Guide A practical guide to product selection and

The choice of method should be discussed with a local inspector. The best decision may be to extend only the cables, creating a discontinuity in the cable tray.

Cable Tray Technical Guide A practical guide to product selection and

SOLID-BOTTOM CABLE TRAY Providing additional cable protection, solid-bottom cable tray is sometimes preferred to support and protect numerous small instrumentation and control cables.



A Guide to Installing and Supporting Electrical Cable Trays

A professional guide to installing electrical cable tray systems per NEC Article 392. Covers support, securing cables, and fill calculations.



METHOD STATEMENT FOR CABLE TRAY INSTALLATION

7.1.22 The elevation of the bottom of the lowest cable tray shall be minimum of 2.67M above the substation floor. 7.1.23 Minimum clearance in horizontal angle between tray and building wall shall



GUIDE CABLE TRAYS TECHNICAL

NEMA VE 1-2017 Specifies requirements for metal cable trays and associated fittings designed for use in accordance with the rules of Canadian Electrical Code, Part I and the National Electrical Code®



INSTALLATION GUIDE



Ladder tray should be mounted far enough off the floor or roof to allow the cables to exit through the bottom of the tray. If strut is used as a cross support, mount the strut directly to the roof or floor.



Cable Tray Installations Can Be Tricky: Definitions make

Many electrical professionals believe that cable trays are raceways. Based on the definition, this couldn't be further from the truth.

Cable tray support and its welding method , Semantic Scholar

According to an embodiment of the present invention, a method to weld a cable tray support, which is capable of improving convenience of welding by forming a bonding surface on the lower part,



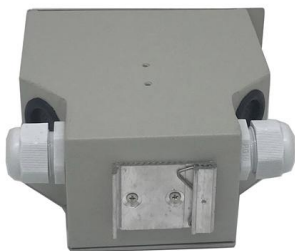
Cable tray manual

Per the 2002 NEC® solid bottom cable trays are now permitted to support single conductor cables only in industrial establishments where conditions of maintenance and supervision ensure that only



Cable Tray Support Weld Design Analysis , PDF

The document discusses the weld design for connections of different sized cable trays. It provides maximum and minimum force calculations for beams of various



Best Practice Guide to Cable Ladder and Cable Tray Systems

This publication is intended as a practical guide for the proper and safe* installation of cable ladder systems, cable tray systems, channel support systems and associated supports.

Cable Tray Installation Procedure , PDF , Metal

Method Statement for Cable Tray Installation - Free download as Word Doc (.doc), PDF File (.pdf), Text File (.txt) or read online for free. This document outlines the



Cable Tray SHIB NAL

Cable trays are not raceways, but they are treated as a structural component of a facility's electrical system. Cable trays are a part of a planned cable management system to support, route, protect and



Best Practice Guide to Cable Ladder and Cable Tray Systems

This guide covers cable ladder systems, cable tray systems, channel support systems and associated supports intended for the support and accommodation of cables and possibly other electrical



Microsoft Word

Metallic cable trays shall be permitted to be used as equipment grounding conductors where continuous maintenance and supervision ensure that qualified persons service the installed cable tray system

How to Install Cable Tray: A Comprehensive Guide to Different Cable

Welcome to our step-by-step guide on installing cable trays! In this video, we'll explore the different types of cable trays available and provide detailed instructions for their installation.



Method Statement for Installation of Cable Tray or Trunking

On completion of cable tray/ ladder installation including fittings, inspect exposed finish. Remove burrs & construction debris and repair damages finishes



Cable Tray and Trunking Installation Guide

This document provides a method statement for installing cable tray or trunking systems. It outlines the key steps, which include evaluating materials, properly



B-Line series Cable Tray Design Considerations

As an industry leader in cable tray, Eaton offers one of the widest ranges of cable management solutions available in the market today with its B-Line series portfolio. With unmatched quality and service, we

Cable Tray Erection Method Statement , PDF , Welding

7.2 Procedure for Cable tray installation. 7.2.1 Ensure cable tray size, type, spacing between tiers and routing as per drawing during installation. 7.2.2 Cable tray



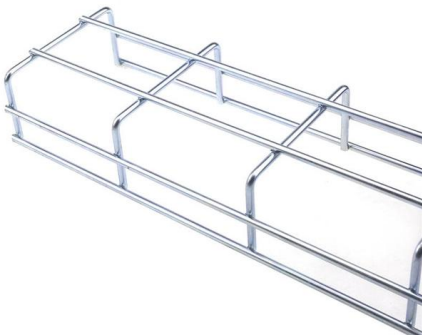
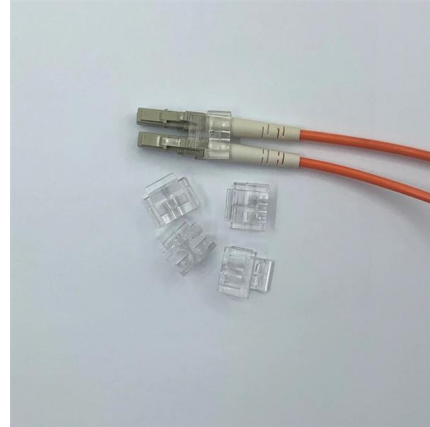
Cable tray manual

Instead of large conduits, cable channel may be used very effectively to support cable drops from the cable tray run to the equipment or device being serviced and is ideal for cable tray runs involving a

Guide to cable support systems



A cable support system consists of cable support lengths and system components, such as cable support fittings, support elements, mounting elements and system accessories. The cable support



Types of Cable Trays - Purpose, Advantages,

Cable tray is alternatives to wire ways and electrical conduits, which completely enclose cables. Study types of cable trays, purpose, advantages.

Industrial Welding Work for Electrical Cable Tray

SEWP SERVICES Pvt. Ltd. showcases precision welding work during the installation of industrial cable trays for heavy electrical wiring connected to generators and fire pumps.



Mastering Cable Tray Welding: Tips for Seamless Installations

Cable tray welding is a critical process for assembling secure and durable cable tray systems. Whether for industrial or commercial applications, the steps and techniques involved ensure safety, stability,



Cable tray

A solid-bottom tray provides the maximum protection to cables, but requires cutting the tray or using fittings to enter or exit cables. A deep, solid enclosure for cables



Contact Us

For datasheets, pricing, or custom high-speed optical interconnect solutions, please visit:

<https://www.syropy.com.pl>