

Vehicle-mounted fiber optic integrated power cabinet NEMA4X





Vehicle-mounted fiber optic integrated power cabinet NEMA4X



FTTX Fiber Optic Cabinet Package, Type 4X

Pad-mounted FTTX welded aluminum enclosures provide longlasting protection and manage fiber optic cable for broadband delivery in outdoor applications. Provided with or without back-up battery

NEMA 4X FIBER OPTIC ENCLOSURES

NEMA 4X FIBER OPTIC ENCLOSURES Overview:
For indoor or outdoor applications where protection of components from dirt, dust, oil, or water are mandatory, OCC offers the new NEMA 4X Fiber Optic



FieldSmart FiberFlex 3000

The FiberFlex 3000 is an all-in-one design, capable of integrating fiber, power (AC & DC) and active equipment. This cabinet features flexible vertical options to meet a wide variety deployment

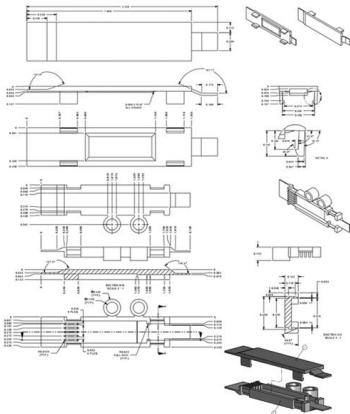
Fiber Optic Enclosures , Leviton Network Solutions

OPT-X SDX Enclosures are designed for easy installation and maintenance. Whether it's the OPT-X 2000i for data centers or 1000i and 500i for medium and



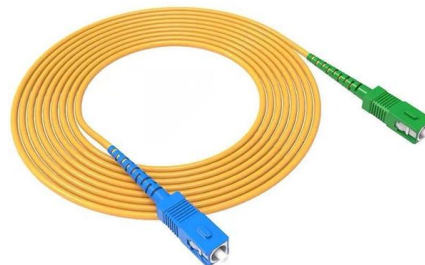
27U NEMA 4 NEMA 4X Weatherproof Outdoor Server Cabinet Enclosure

6U 600mm Wide x 600mm Deep IP55 Pole Mount Outdoor Cabinet LC UPC to LC UPC Simplex OM1 Multimode Fiber Optic Patch Cable Metered rack PDU, Single Phase, ZeroU, 32A, 230V 6800btu



ITS FIELD CABINETS FROM LARGE TO SMALL SOUTHERN HAS

ures for vehicle counters, to large quad-door hub cabinets for fiber optics. Our enclosures are in use nationwide from Wa ington State to New York to Florida to New Mexico and everywhere in between.



FTTX Fiber Optic Cabinet Package Type 4X Single, 30x30x20, Lt

Pad-mounted FTTX welded aluminum enclosures provide longlasting protection and manage fiber optic cable for broadband delivery in outdoor applications. Provided with or without back-up batter



Fiber Optic Cabinets

Pad-mounted FTTX welded aluminum enclosures provide long-lasting protection and manage fiber optic cable for broadband delivery in outdoor applications. Provided with or without back-up battery



Outdoor Telecom Enclosures & NEMA Cabinets , AmProd

Whether you need a compact fiber distribution unit or a large UPS enclosure, each outdoor telecom box can be configured to support integrated power, fiber optic,

FTTX Fiber Optic Cabinet Package Type 4X Single,

Pad-mounted FTTX welded aluminum enclosures provide longlasting protection and manage fiber optic cable for broadband delivery in outdoor applications. Provided

50KW modular power converter



- Flexible Configuration**
 - Modular Design, Scalability Required
 - Small Size, Wall Mounted
 - Installed in Parallel for Expansion
- Powerful Function**
 - Support PV/DC
 - Grid Support, Equipped with SVG Technology
 - On-Grid and Off-Grid Operation
- Reliable Protection**
 - Custom IP65 Design
 - Sufficient Protection Functions Equipped



NEMA 4X Enclosures

Available in four sizes, the OCC NEMA 4X Enclosures are indoor/outdoor rated cabinets for patching and/or splicing 12 to 96 fiber ports. Constructed of molded

FTTX Fiber Optic Cabinet, 4X, 60x30x23"



Pad-mounted FTTX welded aluminum enclosures provide longlasting protection and manage fiber optic cable for broadband delivery in outdoor applications. Provided with or without back-up batter



NEMA Wall Mount Fiber Patch Panels and Enclosures

NEMA Wall Mount Fiber Patch Panels provide a concrete basis for any fiber optic application; lucrative aspects include simplified management methods and

Wall Mount Fiber Patch Panels

Wall Mount Fiber Patch Panels You cannot beat the safety, security, and convenience of a Fiber Optic Wall Mount Patch Panel. Keeping your fiber connections organized in a secure and centralized



FTTX Fiber Optic Cabinet Package Type 4X Single Battery

Pad-mounted FTTX welded aluminum enclosures provide longlasting protection and manage fiber optic cable for broadband delivery in outdoor applications. Provided with or without back-up batter



FTTX Fiber Optic Cabinet Package, 4X

Pad-mounted FTTX welded aluminum enclosures provide longlasting protection and manage fiber optic cable for broadband delivery in outdoor applications. Provided with or without back-up batter

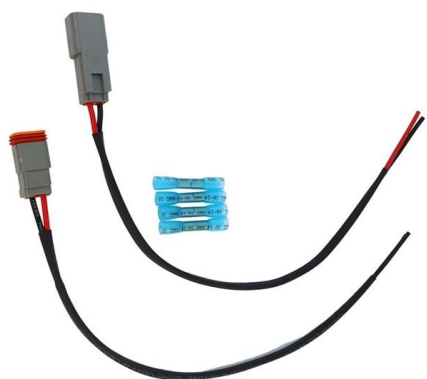


NEMA 4X Fiber Optic Enclosures

Library & Support Home / Library / Public Doc / Product Overviews / NEMA 4X Fiber Optic Enclosures

NEMA 4X Enclosures for the Telecommunications Industry

Applications Ideal for telecommunications infrastructure, including wireless networks, base stations, fiber optic systems, and outdoor cabinets requiring robust



Inventronics , NEMA 4 / 4x Cabinets & Enclosures

NEMA 4/4x enclosures are available in a variety of model types and sizes for wall-mount, pole-mount and free-standing enclosures with one door. NEMA 4x



FTTX Fiber Optic Cabinet Package Type 4X Dual AC, 84x30x44, Lt

Pad-mounted FTTX welded aluminum enclosures provide longlasting protection and manage fiber optic cable for broadband delivery in outdoor applications. Provided with or without back-up batter



NEMA 4X Enclosure , NEMACO(TM)

NEMACO NEMA 4X enclosures are built from 304 or 316 stainless steel with ASTM A967 passivation for superior corrosion resistance. American made with thermal calculation support available.

NEMA 4X FIBER OPTIC ENCLOSURES

Available in four sizes, the OCC NEMA 4X Enclosures are indoor/outdoor rated cabinets for patching and/ or splicing 12 to 96 fiber ports. Constructed of molded fiberglass-reinforced polyester material,



NEMA Rating and OCC's NEMA 4X Enclosures

OCC is proud to offer NEMA 4X Enclosures designed to protect fiber optic networking components against environments where corrosive materials, caustic cleaners, and hazardous materials are



Contact Us

For datasheets, pricing, or custom high-speed optical interconnect solutions, please visit:

<https://www.syropy.com.pl>