

Uruguayan-branded AI server QSFP28





Uruguayan-branded AI server QSFP28



Compatibility Check: Can You Plug QSFP+ into QSFP28

The ever-evolving world of optical networking presents a myriad of connectivity options. One frequent question among professionals is whether

What Is QSFP28? A Clear Explanation of 100G Transceivers

Learn what QSFP28 is, how 100G transceivers work, key standards, module types, and common deployment scenarios in modern data center networks.



What is QSFP28? Guide to 100G Ethernet , NetAlly

Learn how QSFP28 transceivers enable 100G Ethernet. A guide for network engineers on compatibility, fiber types, and upgrade paths.

AI Server

AI servers provide powerful compute for training and inference, enabling scalable, efficient AI development and rapid deployment of reliable business solutions.



Transceivers Explained: SFP vs SFP+ vs SFP28 vs QSFP+ vs QSFP28

Are you confused by the difference between SFP, SFP+, SFP28, QSFP+, and QSFP28 transceivers? You're not alone. As networks scale to meet the demands of cloud computing, AI, and

QSFP28 Transceiver: Complete 100G Connectivity Guide (2026)

QSFP28 transceiver guide covering module types, pricing, compatibility, and deployment. Learn how to choose, deploy, and troubleshoot 100G QSFP28 optics.



100ZR QSFP28 Coherent Transceiver , Ciena

Explore five practical use cases for enabling data center and AI-driven deployments with coherent routing.



Uruguayan Air Force firms up options for five more A-29 Super Tucanos

The Uruguayan Air Force (FAU) and the Uruguayan Ministry of Defense (MDN) has announced it will buy five additional A-29 Super Tucano aircraft - converting options from its original



OEM 100G QSFP28 & 200G QSFP56, QSFP-DD, CFP2

Direct OEM/ODM manufacturer of 100G/200G transceivers for AI clusters & hyperscale cloud. 100% tested 100G QSFP28, 200G QSFP56, QSFP-DD & CFP2 solutions.



100GBASE-LR4 QSFP28 1310nm 10km Transceiver Datasheet , FS

This transceiver is compliant with SFF-8661, SFF-8636, IEEE 802.3 100GBASE-LR4 and QSFP28 MSA standards. Digital diagnostics functions allow access to real-time operating parameters.



Lanner EAI-I351 - An NVIDIA Jetson Thor Edge AI

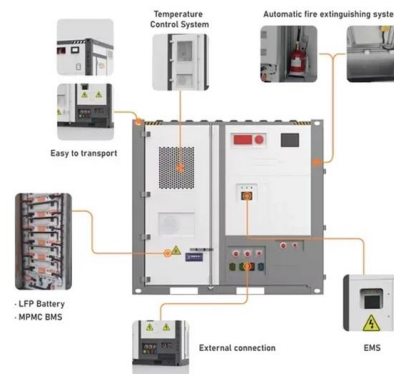
Lanner EAI-I351 is a rugged edge AI computer built around the NVIDIA Jetson Thor platform, featuring a 100GbE QSFP28 port for high





Uruguayan start-up SUA to lease A220 fleet from Air Baltic

Latvia's Air Baltic is to provide the initial fleet for a Uruguayan start-up carrier branded SUA Lineas Aereas, which aims to commence operations later

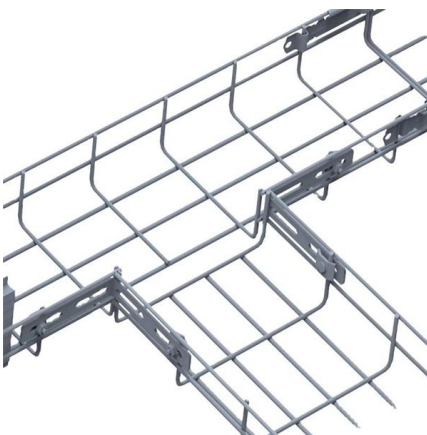


Taiwan Leads Global AI Server Shift, Surpassing

When did AI servers overtake iPhones for revenue in Taiwan? In Q2 2025, Foxconn and peers reported AI server revenue exceeding consumer electronics revenue

QSFP28 vs QSFP56, tell you what are the differences

Comparison of QSFP28 vs QSFP56 Differences Quick View The following table concludes the main differences of QSFP28 and QSFP56.



100G-QSFP28-AI and Data Center Networking

They have a case temperature range of 0°C~70°C and comply with IEEE 802.3bm and QSFP28 MSA standards. The products are primarily used in 100G Ethernet,



HPE Aruba Networking CX 8100 24x10G SFP

SKU # R9W86A. HPE Aruba Networking CX 8100 24x10G SFP+ 4x40/100G QSFP28 FB Airflow 3Fan 2AC PSU Switch Bundle delivers high-speed switching.



What Is SFP+ vs QSFP28: Server Transceiver Guide?

QSFP28 provides 10x bandwidth for big data and AI in Lenovo or Huawei servers, outpacing SFP+'s 10G for basic needs. It future-proofs to 400G scalability in Dell PowerEdge Gen17, aligning with

Powering AI Data Centers & Global Satellite Networks. 10G to

Powering AI Data Centers & Global Satellite Networks. 10G to 800G QSFP28, QSFP-DD optical transceivers. Fully compatible with Cisco, Arista, Dell, HPE. Cost-effective, stable quality, bulk



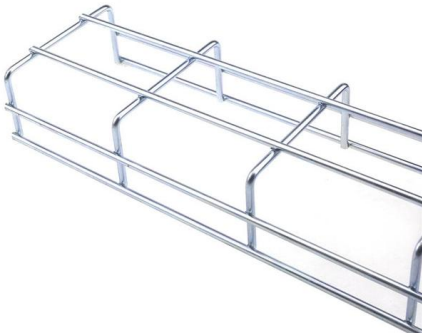
Exploring the Benefits, Usage, and Applications of

Applications of QSFP28 Transceivers Data Centres: QSFP28 transceivers are at the forefront of data centre connectivity. With their high-speed



FS Community

Hier sollte eine Beschreibung angezeigt werden, diese Seite lässt dies jedoch nicht zu.



100G QSFP28 Cable and Transceiver Modules Data Sheet , FS

Product overview The FS® 100GBASE Quad Small Form-Factor Pluggable (QSFP28) portfolio offers customers a wide variety of high-density and low-power 100 Gigabit Ethernet connectivity options for



What is QSFP28? Guide to 100G Ethernet , NetAlly

This guide explains what QSFP28 is, how it works within the 100G Ethernet standard, and what network engineers should consider when planning upgrades, validating links, or



Everything You Need to Know About QSFP28 Port: The

Delve into the future of high-speed transceivers with fibermall about :Everything You Need to Know About QSFP28 Port. Explore now!



SFP-DD vs QSFP28: 100G Interface Comparison

This article compares their technical differences and explains how 100G SFP-DD to QSFP28 AOCs enable seamless interconnection between new-generation servers and existing



Overview of QSFP28 LR4 Optical Transceiver

Discover FS's QSFP28 100G LR4 optical transceiver, offering low power consumption, perfect compatibility, and reliable long-distance performance

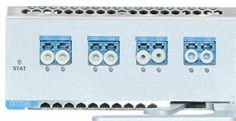
AI USG6725F Enterprise Firewalls with 4*QSFP28 High Performance

Superb Performance New software and hardware platforms, greatly improving service performance. Intelligent Defense Real-time threat processing at the network edge, with an unknown threat



CSP-7550

The CSP-7550 is a high-performance server-switch appliance with 8-16 core Intel Xeon processors, 32 QSFP28 network ports, and 8 DDR4 DIMM slots per CPU.





Contact Us

For datasheets, pricing, or custom high-speed optical interconnect solutions, please visit:

<https://www.syropy.com.pl>