

Uruguay Ladder-type Cable Tray Processing





Uruguay Ladder-type Cable Tray Processing

What are the Five main types of cable trays?

Ladder type cable tray is a type of cable management system that is designed to support and route a large number of cables in a structured and



Ladder Cable Tray In Uruguay

Call The Best Ladder Cable Trays Suppliers in Uruguay! We, one of the well-known Ladder Cable Trays Suppliers and Exporters from Uruguay, offer a comprehensive range of cable trays manufactured



Types of cable Tray Cable Trays

If cable trays are being installed where working space is a problem, hand access through the cable tray bottom may help to facilitate the installation of small diameter cables: control instrumentation, signal,

CABLE TRAY INSTITUTE

Fabricated in numerous styles (wiremesh, ladder, ventilated trough, channel, and solid-bottom) and sizes, cable tray provides the greatest versatility among cable



Types of Cable Trays: Ladder, Perforated, Basket, Solid

Explore all types of cable trays--ladder, perforated, basket, solid, and channel. Learn their uses, materials, pros, cons, and key differences.



Cable Ladders , EAE Electric

A cable ladder is a type of cable tray designed to provide maximum airflow and distribution. Its primary difference from a standard cable tray is that it allows



Exploring the Different Types of Cable Trays: Which

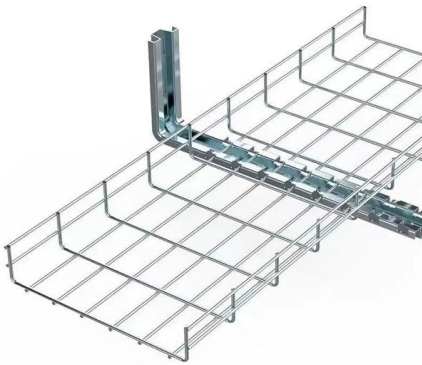
Explore various cable tray types like ladder, perforated & trunking to choose the right one for your industry's electrical and structural needs.





Galvanized Cable Tray In Uruguay

Galvanized Cable Tray in Uruguay: Built to Last, Built for Performance We, the foremost Galvanized Cable Tray Manufacturer and Supplier in Uruguay, use high-grade steel and a meticulous hot-dip

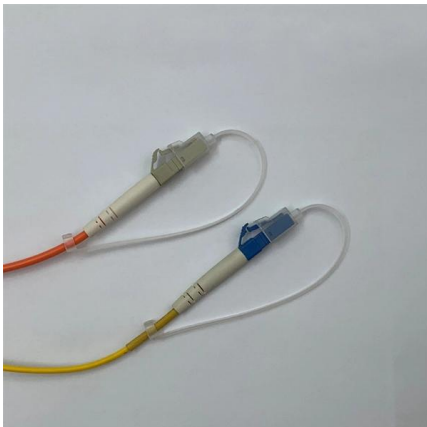


Galvanized Iron Ladder Type Cable Tray

Our Products Switchgear Panelboard Busduct System Cable Tray Links Home About Us Products Contact Us Get In Touch

Cable Tray In Uruguay, Cable Tray Manufacturers Suppliers Uruguay

Extensively used to deal out cable in different industrial and commercial industries; our Ladder Cable Trays have been appreciated by clients for meeting internationally accepted quality norms.



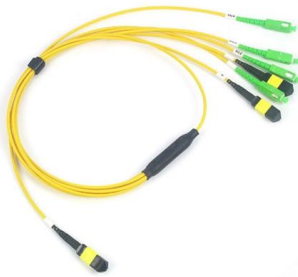
Cablofil Cable Management , Legrand

Cablofil® Products Cablofil is the global gold standard for total cable management. Explore the one-stop shop for innovative, fast, and dependable cable management systems including wire mesh tray,



Ladder Type Cable Tray

Ladder type cable tray systems consists of two longitudinal side members connected by individual transverse members, and is designed for use as a power cable or



Top Cable Tray Manufacturer in Pune , Indmark Cable

Ladder-type cable trays are an essential components of modern electrical and data cable management systems. These versatile structures provide robust support

What Makes Ladder Cable Trays Ideal for Heavy Duty

While Perforated Cable Trays are commonly applied in medium duty environments, ladder style configurations are particularly designed for heavy load applications.



What is the difference between cable ladders and cable

When it comes to cable ladders and cable trays there are a few fundamental distinctions that should make your choice of support easier.



Mild Steel Cable Tray In Uruguay

Ring Us- Mild Steel Cable Tray Suppliers in Uruguay! Contact us now to streamline your electrical systems and enjoy a clutter-free and secure environment. Discover why we, one of the trusted Mild



Ladder Type Cable Tray

U-Protec's Ladder Type Cable Trays ensure efficient organization and enhanced cable lifespan with superior ventilation. Designed for residential, industrial, and

Cable Tray Roll Forming Machine , Cable ladder machine

Perforated Type Cable Tray Machine Perforated cable trays feature uniform holes that offer effective ventilation and protection for cables against external damage.



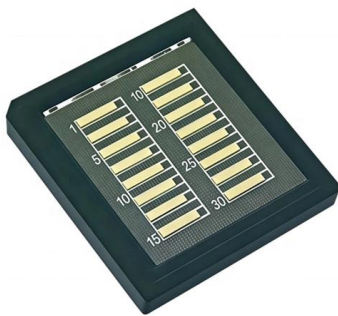
Difference Between a Cable Ladder and Cable Tray

What is a Cable Ladder? A cable ladder, also known as a ladder cable tray, is a support system that consists of two longitudinal side rails connected by individual



FRP Ladder Type Cable Tray

FRP ladder type cable tray is made of a polymer matrix reinforced with fibers, such as glass fibers. These types of trays are used to support and organize the cables. Here, FRP is the

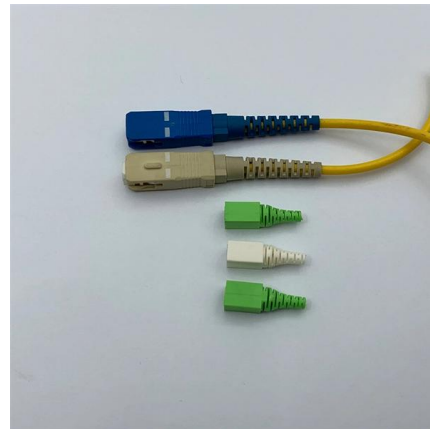


Ladder Type - GM ENGINEERS

These trays consist of two parallel side rails connected by rungs at regular intervals, resembling a ladder. They provide excellent cable support, ventilation, and ease of maintenance, making them

How to Produce Ladder Cable Tray: A Technical Manual

Delve into the technical specifics to produce ladder cable tray with this detailed manual, designed as an educational tool for manufacturing personnel.



Best Practice Guide to Cable Ladder and Cable Tray Systems

Introduction This publication is intended as a practical guide for the proper and safe* installation of cable ladder systems, cable tray systems, channel support systems and associated supports.





Ladder Type Cable Tray Manufacturing Process , Heavy Duty

In this video, we present the complete Ladder Type Cable Tray Manufacturing Process used to produce strong, reliable, and heavy-duty cable management solutions for industrial and



Ladder Type Cable Trays

Embrace optimal cable performance with ladder type cable trays' open structure, facilitating natural airflow to dissipate heat and ensure cables operate at their best.

Contact Us

For datasheets, pricing, or custom high-speed optical interconnect solutions, please visit:
<https://www.syropy.com.pl>