

US Optical Cable Trade



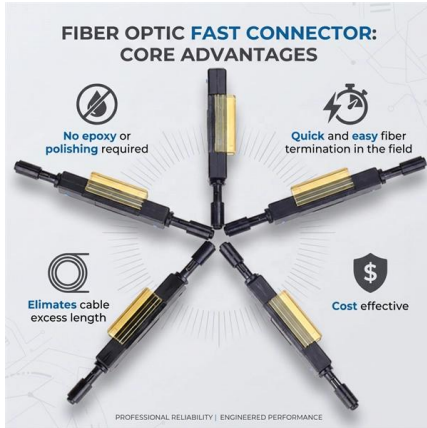


Overview

Fiber-Optic Cable Market Report Prepared by P&S Intelligence, Segmented by Type (Single-mode, Multi-mode, Plastic Optical Fibre), Cable Type (Loose Tube, Tight-Buffered, Ribbon, Armored, Simplex & Duplex Cable) . By type, single-mode fiber optic cables dominated the market, generating approximately USD 6.3 billion in revenue in 2024 due to widespread deployment in long-distance and high-speed communication networks. Telecommunications, driven by 5G and internet expansion, power utilities for smart grid development, defense, industrial, and medical industries all require customized fiber solutions. The United States optical fiber cables market represents a critical and dynamic segment of the global telecommunications and digital infrastructure landscape. stands as the world's second-largest consumer and producer, with domestic consumption.



US Optical Cable Trade



The U.S. is investing in fiber-optic internet. Here's what

We tour a North Carolina plant where melted glass is pulled into the hair-like strands that power fiber-optic cable.

U.S. Fiber Optic Cable Market Size, Competitors

This report provides an in-depth analysis of the fiber optic cable market in the U.S.. Within it, you will discover the latest data on market trends and opportunities by



Tunisia Consumer Active Optical Cable Market (2025-2031)

6Wresearch actively monitors the Tunisia Consumer Active Optical Cable Market and publishes its comprehensive annual report, highlighting emerging trends, growth drivers, revenue analysis, and

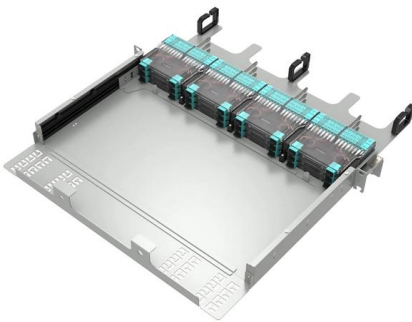
Malawi Active Optical Cable Market (2025-2031) , Forecast & Companies

6Wresearch actively monitors the Malawi Active Optical Cable Market and publishes its comprehensive annual report, highlighting emerging trends, growth drivers, revenue analysis, and forecast outlook.



Fiber Optic Cables Turned Into Hidden Microphones to Secretly Spy

Fiber Optic Cables Turned Into Microphones Fiber optic cables have long been considered inherently secure communication channels resistant to RF emissions and electromagnetic



United States (US) Fiber Optic Cables Market (2025-2031)

In the US Fiber Optic Cables Market, some key challenges include the high initial investment required for infrastructure development, the complexity of installation and maintenance processes, and the



U.S. Fiber Optic Cable Market Size Growth

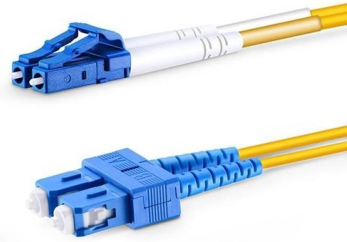
The US Fiber Optic Cable Market Size is Expected to Reach USD 24.6 Billion by 2035 Notable Insights for US Fiber Optic Cable Market By type, single-mode fiber optic cables dominated the market,





US & European Fiber Optic Cable Market Forecasts 2031

The United States and European Fiber Optic Cable Market is segmented by end-user industry (telecommunication, power utilities,

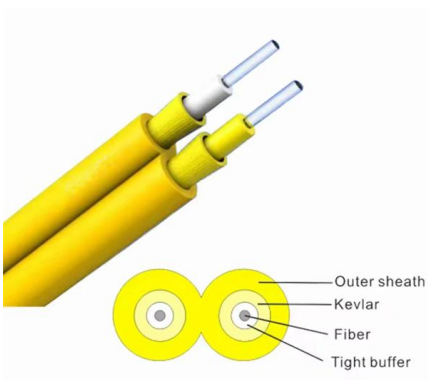
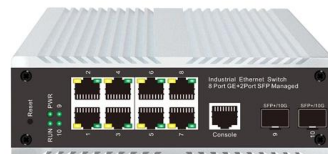


US & European Fiber Optic Cable Market Report: Size, Growth,

The United States is currently the dominant region in the US and European fiber optic cable market. Advanced technology adoption is boosting the US & European fiber optic cable market.

U.S. Fiber-Optic Cable Market Size, and Growth Report,

U.S. Fiber-Optic Cable Market Size & Share Analysis - Trends, Drivers, Competitive Landscape, and Forecasts (2025 - 2032) This Report Provides In-Depth Analysis



United States' Optical Fiber Cable Market Value Surges to \$40.9

United States' Optical Fiber Cable Market Value Surges to \$40.9 Billion Amid Shifting Trade Dynamics IndexBox has just published a new report: U.S. - Optical Fiber Cables - Market Analysis, Forecast,



Wire & cable market trends for 2026 according to CRU

An in-depth outlook on the wire and cable industry in 2026, analyzing key trends across metallic cables, optical fiber, data centers and trade flows.



Kyrgyzstan Active Optical Cable Market (2025-2031) , Industry & Share

6Wresearch actively monitors the Kyrgyzstan Active Optical Cable Market and publishes its comprehensive annual report, highlighting emerging trends, growth drivers, revenue analysis, and

North America Fiber Optics Market , Industry Report, 2030

The North America fiber optics industry faces competition from alternative technologies such as coaxial cables, wireless broadband, satellite internet, and



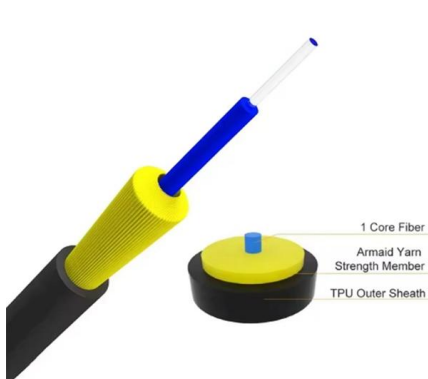
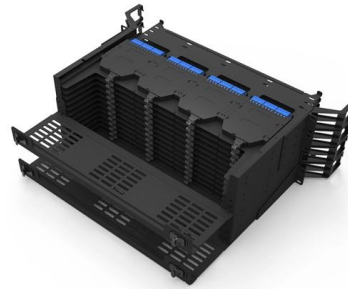
United States and European Fiber Optic Cable Market 2026-2034

The United States fiber optic cable market is projected to expand at a CAGR of 9.66% during the forecast period of 2025-2033. This growth is driven by increasing demand for high-speed internet



Fiber Optics Market Size, Share & Forecast Report,

Fiber Optics Market Size & Share 2024 - 2032
Market Size by Fiber Type (Glass Fibers, Plastic Optical Fibers), by Cable Type (Single-mode, Multi-Mode), by



2026 Top 8 Optical Fiber Cable Manufacturer in USA

2. Top 8 Optical Fiber Cable Manufacturer
Corning Inc. - The Innovation Pioneer Since developing the first low-loss optical fiber in 1970,

Fiber Optics Market Size Report 2024-2029 [234 Pages]

Fiber optics players are focusing on leveraging new revenue sources such as FTTX, Data Center Interconnect (DCI), and subsea fiber optic cable networks. These



Fiber Optic Cable

Shipments of fiber optic cable are forecast to rise 3.0% per year to \$3.4 billion in 2025. Growth will be spurred by rising local demand and increased exports to

Mongolia Active Optical Cable Market



(2025-2031) , Size & Forecast

6Wresearch actively monitors the Mongolia Active Optical Cable Market and publishes its comprehensive annual report, highlighting emerging trends, growth drivers, revenue analysis, and



Israel Active Optical Cable Market (2025-2031) , Forecast & Revenue

6Wresearch actively monitors the Israel Active Optical Cable Market and publishes its comprehensive annual report, highlighting emerging trends, growth drivers, revenue analysis, and forecast outlook.



Fiber-Optic Cable Manufacturing in the US Industry Analysis, 2025

Expert industry market research on the Fiber-Optic Cable Manufacturing in the US (2015-2030). Make better business decisions, faster with IBISWorld's industry market research reports, statistics,



Fiber Optic Cable Market Size

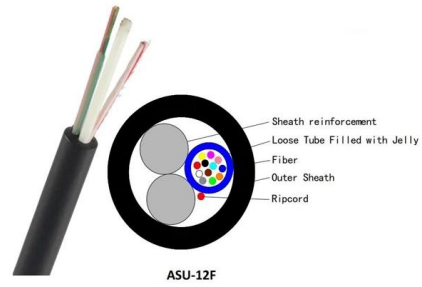
The Fiber Optic Cable Market worth USD 14.22 billion in 2026 is growing at a CAGR of 9.84% to reach USD 22.74 billion by 2031. Corning Inc.,





U.S.'s Optical Fiber Cables Market Report 2026

This report provides a comprehensive view of the optical fiber cables industry in the United States, tracking demand, supply, and trade flows across the national value chain.



Contact Us

For datasheets, pricing, or custom high-speed optical interconnect solutions, please visit:

<https://www.syropy.com.pl>