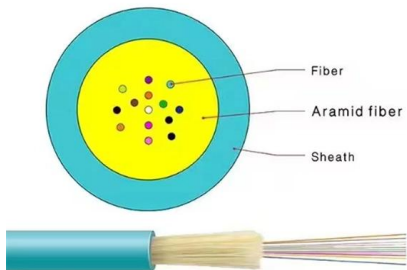


Two socket boxes in the distribution box





Two socket boxes in the distribution box



Types of Distribution Boxes Explained with Applications & Functions

We have explained various types of Distribution Boxes like Polycarbonate Distribution Boxes, Deep Drawn Boxes and SMC Distribution Boxes. These Boxes eliminate chances of short circuits by

Distribution Boxes Explained: Types, Functions, and

Learn about distribution boxes, their types, functions, and safety features to ensure efficient and secure electrical power distribution in any building.



What is an Electrical Distribution Box? A

Discover everything you need to know about electrical distribution box! Learn about types, components, and how to choose.

What is an Electrical Distribution Box? A

This is where the electrical distribution box steps in. Also known as a distribution board or breaker panel, it acts as the control hub, distributing power to



Distribution Box vs Control Box vs Junction Box: Key Differences and

Learn the differences between distribution boxes, control boxes, and junction boxes. Discover their functions, applications, and how E-abel provides customized electrical enclosure



Wiring of the Distribution Board From Energy Meter to

How to Wire a Distribution Board? Distribution Board also known as "Panel Board", "Switch & Fuse Board" or "Consumer Unit" is a box installed in the building



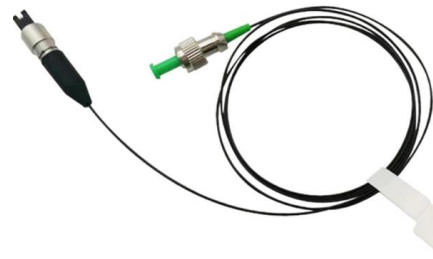
Socket Combination Box & Fuse Box

A Distribution (Fuse) Box is an enclosure used to house fuse modules and terminal blocks in electrical distribution systems. EAE Electric Distribution Boxes are



Understanding Circuit Breaker Wiring Configurations in

Correct wiring methods for circuit breakers within distribution boxes are fundamental to ensuring electrical safety and compliance with established codes.

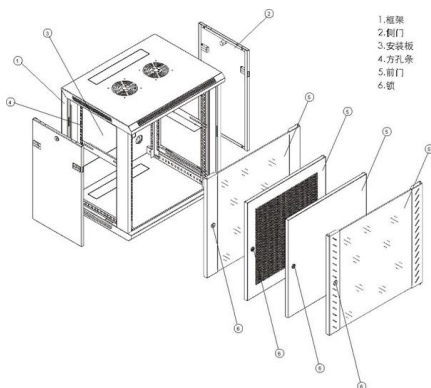


Single Phase Distribution Box Definition and Main Parts

A single phase distribution box controls and protects home or office circuits. Learn its definition, main parts, and how it ensures electrical safety.

Distribution Box and Selection Guide

This guide provides information on how to select the appropriate Distribution Box for Electric project. If you have any questions about distribution



A Definitive Guide To Distribution Boxes

The distribution box acts as the center of power distribution, distributing electricity to all connected devices. A distribution box, also known as a distribution board, panel board, breaker

Distribution Boxes Types - The Complete Guide



Types of Distribution Boxes The electrical power distribution boxes are distribution boards or breaker panels. Meanwhile, it supplies current and can



Distribution Box Wiring Steps

?Preparation phase? ?Box installation?: Make sure that Distribution box has been correctly installed and fixed. ?Material preparation?: Prepare the required cir

DB BOX(Electrical Distribution Box): Everything You

Learn everything you need to know about the Electrical Distribution Box (DB Box). Explore types, materials, installation tips, etc.



How to Install a Cable Distribution Box Safely and

In modern electrical systems, cable distribution boxes (also known as electrical distribution boxes or distribution boxes) play a crucial role as the key



The Meaning and Function of Primary, Secondary, and Tertiary

Designed for local control with strict safety standards, such as "one device, one circuit breaker, one residual current device, and one box." May include both fixed and portable boxes, ensuring individual



Power Distribution Boxes Explained Simply

Discover the essentials of a Power Distribution Box--how it works, key types, benefits, and tips to ensure safe, efficient electrical power management.



Distribution Boxes: Types and Functions

Inside a distribution box are components like circuit breakers, earth leakage units, doorbells, and timers. The building's electrical power enters



What Is an Electrical Distribution Box? A Complete Guide

Their role in protecting circuits from overloads and faults underscores their importance in maintaining system integrity. Fundamentally,



Distribution Boards

Distribution boards, often referred to as electrical panels or breaker boxes, serve as the nerve center of any electrical system. Here we explore the crucial parts of a distribution board and gain insights into



Understanding Distribution Boxes: A Comprehensive Guide

Learn what a distribution box is, its types, and how to choose the right one for your project. Includes clear examples and expert tips.

Differences between socket box and distribution box

Socket box and distribution box are similar in category, both are power supply equipment. But there are differences between the two, mainly reflected in the



Understanding Distribution Boxes: A Comprehensive Guide

Understanding its significance, this article covers what a distribution box is, how it functions, its structure, the various types available, and how it



Explore Power Distribution Box Types and Functions

Power distribution boxes are used in commercial and residential buildings and are part of the electrical system, also known as switchboards.

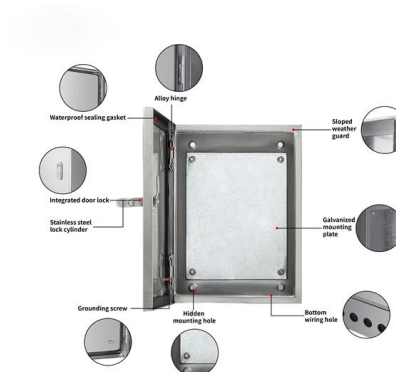


How to Wire 2 Outlets In One Box , Wiring a Double Receptacle the

In this video I show how to wire two outlets in one box also known as double duplexes or a quad receptacle. This type of work should only be done if you are

The Ultimate Guide to Distribution Box Types

Discover the key types of distribution boxes with NUOMAK's comprehensive guide. Learn about Main Distribution Boards (MDB), Consumer Units, Transfer



Complete Guide For Distribution Boxes Types

Distribution boxes, also known as electrical distribution boards or panels, are pivotal components in electrical systems, ensuring the safe and organized distribution of

Size determination, installation method and



wiring mode

The distribution box is the central hub of the home circuit and the general control of our daily power consumption. It is an indispensable electrical equipment. If there



Contact Us

For datasheets, pricing, or custom high-speed optical interconnect solutions, please visit:

<https://www.syropy.com.pl>