

Turkish optical receiver 10G





Overview

T1-SFP-10G-LRL is a high-performance, cost-effective module that supports a data rate of 11. MACOM offers PIN photodiode based photoreceivers in a variety of packages, including OEM module and instrument-style. A wide range of 10G solutions are available for applications up to 15 Gb/s covering 800-1650 nm wavelengths.



Turkish optical receiver 10G

Fiber Optical Transceivers Modules Solution

A fiber optic transceiver is adapted for use in transmitting and receiving optical signals in a fiber-optical network. With strong research and development



Tektronix: Applications > Variations in 10 Gigabit Ethernet Laser

This application note will target two different types of time-domain optical sampling systems with reference receiver filtering from Tektronix, and through a series of measurement examples, show



Optical Transceivers Manufacturer

10Gtek® 16G SFP+ fibre channel transceivers are suitable for 16G fibre channel and 10G Ethernet applications. This fibre channel transceiver solution supports high



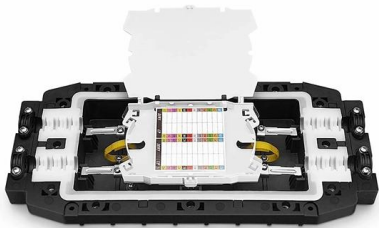
Avalanche Photodiode, 10 Gb/s with TIA

The Optilab APD-10 is a high sensitivity APD-TIA receiver in a fiber pigtail coupled package. It includes a high speed InGaAs avalanche photodiode with a high gain



10G SFP+ LR CDR 1310nm 10km Transceiver

10G SFP+ LR CDR transceiver is a high-performance (with TX& RX CDR) module supporting data rate of 10Gbps and 10km transmission distance with SMF -



10G Receiver Module

10G Receiver Module Casing Amonics' PR10G 10Gbit/s ac-coupled photo-receiver integrates a high speed pin diode and a GaAs preamplifier to



Unlocking the Potential of 10GBASE-SR Optical

Explore the world of 10GBASE-SR optical transceivers with our Cisco-compatible guide. Discover SFP modules that offer 10G Ethernet





Huawei SFP-10G-USR 10G SFP+ Optical Transceiver

Deploy Huawei SFP-10G-USR 10G SFP+ optical transceiver for short-reach multimode 850nm links up to 0.1km. Check live stock and competitive price.



10Gb/s SMF 1310nm 20km XFP LR Optical Transceiver

Buy 10Gb/s SMF 1310nm 20km XFP LR Optical Transceiver from Manufacturer at Affordable Factory Price,5-Year Warranty & Money-back Guarantee.

TSFP10G-80(I)

Product Features: ILMZ Tunable Transmitter APD Receiver 96 Channel, 50GHz DWDM Grid SMF Transmission Medium LC/UPC Connector



10G Linear InGaAs APD Optical Receiver with Optional CDR

10G Linear InGaAs APD Optical Receiver with Optional CDR Description: Ideal for adding extra distance to 10 Gb communications links, this fiber-pigtailed optical receiver combines the very high





SFP+ 10G optical transceivers

The SFP-1020-LR is a 10G LR single-mode multi-rate SFP+ transceiver using 1310nm wavelength and reaching up to 20Km distance on 9/125um fiber. The module can be used for 10G Ethernet, SONET



10G InGaAs Photodiodes and Optical Receivers

Our 10G InGaAs Photodiodes and Optical Receivers are meant for 850nm - 1650nm wavelength, with singlemode or multimode fiber for applications such as telecom, datacom, Cable TV, and Microwave

Optical Transceivers Manufacturer

XFP (10G) 10Gtek 10G XFP transceivers include SR, LR, ER, ZR, CWDM, DWDM and BiDi series. Tunable XFP modules are available. 10G XFP transceivers are



Nortel PP-10G 10 Gb/s PIN Preamp Receiver Optical Module w/ SMA

Find many great new & used options and get the best deals for Nortel PP-10G 10 Gb/s PIN Preamp Receiver Optical Module w/ SMA Output at the best online prices at eBay! Free shipping for many



Apticom Products - Optical Transceivers - 10G

10G SFP+ transceiver is an enhanced version of the SFP transceiver that supports data rates up to 16 Gbit/s. It supports 8 Gbit/s Fibre Channel, 10 Gigabit Ethernet



10G PIN Photoreceivers

MACOM offers PIN photodiode based photoreceivers in a variety of packages, including OEM module and instrument-style. A wide range of 10G solutions are available for applications up to 15 Gb/s



10 Gb/s High-Sensitivity Limiting PIN-TIA Optical Receiver

Discovery's InGaAs limiting receiver has differential conversion gain of 9,000 V/W, -20dBm sensitivity, 4dBm optical overload.



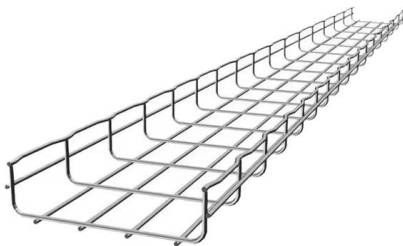
10G SFP+ LR-10G transceiver transmission distance up to 10km.

10G SFP+ LR MTRS-02X13-G is a high performance, cost effective modules, which is supporting data rate up to 10.3125Gbps, and transmission distance up to 10km over single mode fiber. The



XFP 10G Transceivers , Optical Transceivers , Amphenol

XFP 10G optical transceivers have the characteristics of low power consumption, small size, and high speed. They are most commonly used in

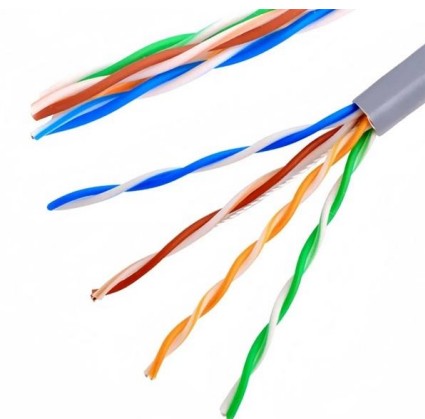
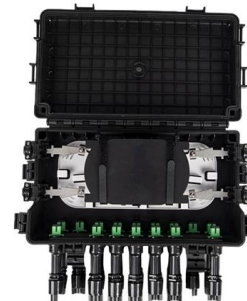


10G APD Photoreceivers

MACOM offers high-sensitivity avalanche photodiode (APD) based photoreceivers in a variety of packages, including ROSA, OEM module and instrument-style. A wide range of 10G solutions are

A 10G/1G Dual-rate Burst-mode Receiver for Next

A 10G/1G Dual-rate Burst-mode Receiver for Next Generation Optical Access Networks
Masafumi Nogawa, Hiroaki Katsurai, and Hiroshi Koizumi Abstract This



10G SFP+ ER 1310nm 40KM

Product Overview The STC-10G-ER is an extended reach 10G SFP+ optical transceiver designed for long-distance single-mode fiber (SMF) applications. Operating at a wavelength of 1310nm, this high



10 Gigabit Optical Transceivers , SFP+ and XFP

Perle 10 Gigabit Optical Transceivers are interchangeable, compact media connectors and enable a single network device to connect to a wide variety of



10GBASE-T Copper RJ45 SFP+ EUR35.34 , EDGE Optical

10GBASE-T copper SFP+ transceiver, RJ45 with 1G/2.5G/5G/10G multi-rate auto-negotiation, 30 m on Cat 6a or Cat 7. EU stock, lifetime warranty. EUR35.34.

10G SFP+ Optical Transceiver

Our customers enjoy guaranteed product assurance, competitive pricing, lifetime warranties, and peace of mind in our ability to deliver on time, every time. 10G SFP+ Optical



10G Optical Transceiver Modules , AscentOptics

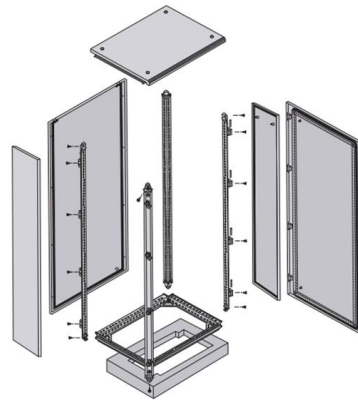
We offer a wide range of high-quality 10G transceivers for various applications and network protocols eck out our catalog and order online today - AscentOptics.





10G SFP+ Optical Transceiver

Explore the details, specifications and video of our 10G SFP+ Optical Transceiver, and order high-quality 10G SFP+ Optical Transceiver from our factory directly at



10GBASE-LR XFP Optical Transceiver

The AXM752 is designed to be compliant with INF-8077i XFP Multi-source Agreement (MSA) with five digital monitoring functions: Temperature, Vcc, Tx optical power, TX laser bias current and RX

A Pair of 10GBase-LR 10G XFP BiDi 20km Dual LC

The transceiver module comprises a transmitter with DFB laser and a receiver



Contact Us

For datasheets, pricing, or custom high-speed optical interconnect solutions, please visit:

<https://www.syropy.com.pl>