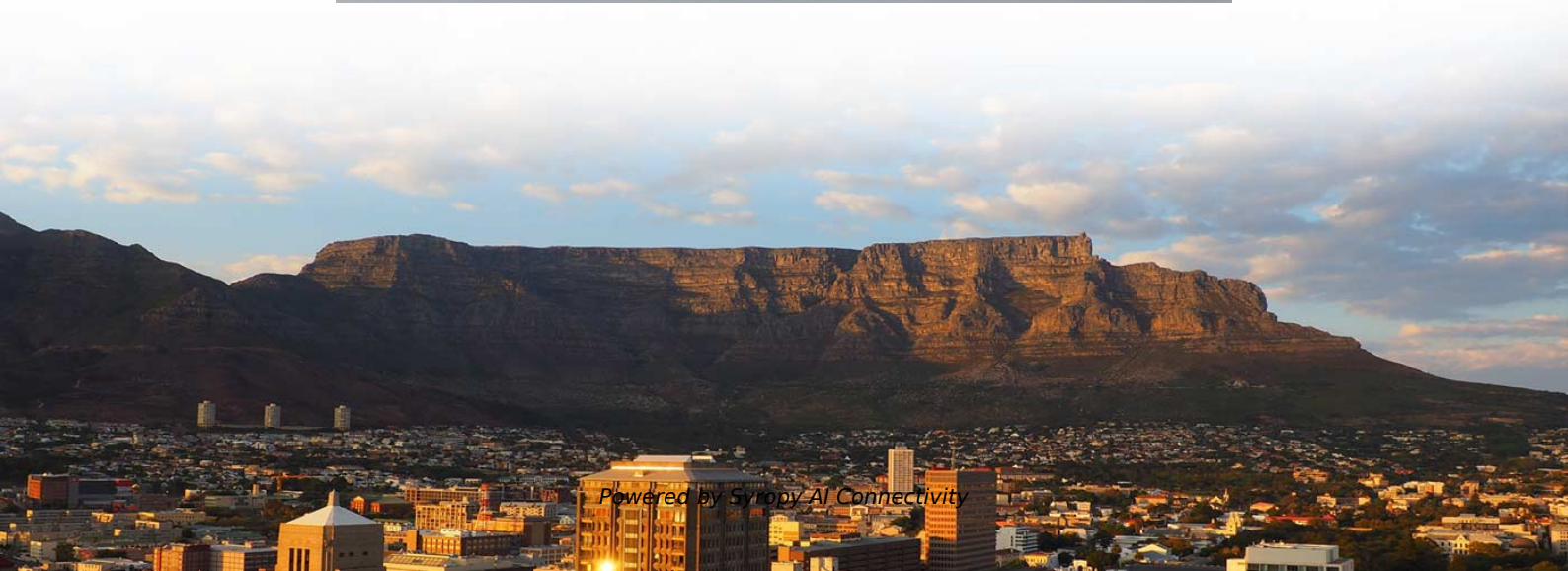


# **To which branch of AI does an optical module belong**





## Overview

---

Optical modules convert electrical signals into light to move data quickly and reliably in AI systems, enabling fast and smooth data processing. In this article, we will explore the main branches of AI, including Machine Learning, Natural Language Processing, Computer Vision, Robotics, Expert Systems, Neural Networks and Deep Learning, Fuzzy Logic, Evolutionary Computation, Swarm Intelligence, and Cognitive Computing. Data centres are increasingly shifting from copper wires to optical interconnect systems, because only. Machine Learning (ML) One of the most important branches of AI is Machine Learning.



## To which branch of AI does an optical module belong

---

### How AI Revolutionizes the Optical Module Industry



Powered by the dual engines of AI and cloud computing, the optical module industry is evolving from a support role into strategic infrastructure.

### Everything You Need to Know About Optical Modules

Optical modules are electronic devices used in communication systems to transmit optical signals. These modules convert electrical signals into optical



### Optical Products , AI Clusters , AI Infrastructure

Different laser and modulator technologies shape the performance of AI optics. VCSELs and EMLs support varying reaches and wavelengths, while Silicon Photonics (SiPh) combines multiple optical



### The Rise of Co-Packaged Optics: A Deep Dive into CPO

A CPO optical module integrates optical and electronic components to boost data center speed, efficiency, and bandwidth while reducing power use.



## What is Artificial Intelligence (AI)? , Google Cloud

How does AI work? Artificial intelligence techniques, though diverse, all fundamentally rely on data, algorithms, and computational power. AI systems

## Branches of Artificial Intelligence

Branches of Artificial Intelligence - 2026 Full Guide Learn about major AI branches like deep learning, NLP, and expert systems. Learn their uses,



## What Is Artificial Intelligence? Definition, Uses, and Types

What is artificial intelligence? Artificial intelligence (AI) is the theory and development of computer systems capable of performing tasks that



## The Most Important Branches of Artificial Intelligence

Unlock the importance of the six main branches of artificial intelligence and learn about their value for the future of AI.



## The 7 Major Branches of AI

Artificial Intelligence enables the Intelligent machines that have been shaping the world. But how do the different branches of AI apply to our lives?

## Branch of Artificial Intelligence

Branch of Artificial Intelligence Explore the key branches of AI, including machine learning, NLP, computer vision, robotics, expert systems, and



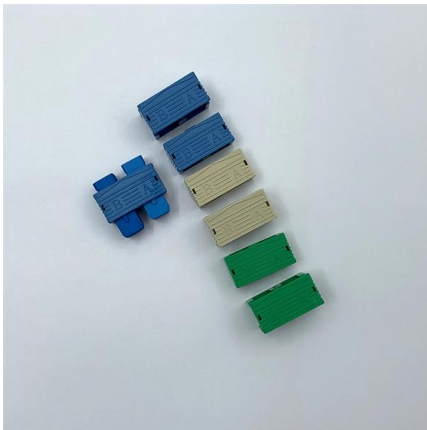
## Top 10 branches of Artificial Intelligence

Artificial intelligence (AI) is the leading component of innovation and serves as a tool that imitates human thinking. The branches of AI encompass

## Optics



Optics is the branch of physics that studies the behaviour, manipulation, and detection of electromagnetic radiation, including its interactions with matter and



### **Understanding Optical Modules: Working Principles,**

Explore the working principles, structures, and performance metrics of optical modules, essential components of optical fiber communication systems. Learn

### **Top 10 branches of Artificial Intelligence**

The branches of AI encompass machine learning and auto-robots, which include self-driving cars, smart homes, virtual personal assistants, and



### **Why China's optical communications sector is the latest AI boom**

Optical modules, also known as optical transceivers, convert electrical signals to optical signals, and vice versa, for high-speed data transmission in networking and AI infrastructure systems.



## Optical Module PCB: The Ultimate Guide to Design, Fabrication, and

This guide serves as an in-depth resource for engineers, designers, and project managers involved in the development of optical module PCBs. It will explore the complete product lifecycle, from design



## The Role Of Optics In Artificial Intelligence

One of the most visible roles of optics in AI lies in computational vision, writes Science Direct. Cameras and sensors, which rely on optical

## Optical module - A comprehensive exploration

The optical module is one of the core devices of the optical communication system, and its development has a vital impact on its related



## Applications of Optical Modules in AI Intelligent Devices

In AI intelligent devices, optical modules are primarily used in data centers and high-performance computing systems to provide high-speed, high



## Fundamentals of an Optical Module

Fundamentals of an Optical Module As an important part of fiber-optic communication, an optical module is a photoelectric converter which converts electrical signals into optical signals and vice versa. An

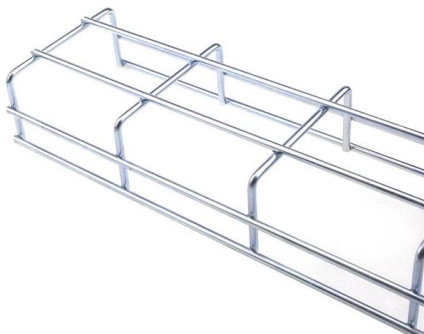


## 6 Major Branches of Artificial Intelligence (AI) , Analytics

Explaining the six branches of AI that are machine learning, neural network, robotics, expert system, fuzzy logic and natural language processing.

## The Most Comprehensive Guide Of Optical Modules

Explore the ultimate guide to optical modules. Learn types, functions, performance metrics & how to choose the right module for your fiber network.



## Wiley Online Library , Scientific research articles, journals, books

Hier sollte eine Beschreibung angezeigt werden, diese Seite lässt dies jedoch nicht zu.



## Understanding Optical Module Composition: Key Elements

The performance and reliability of optical modules directly influence the overall efficiency of the communication system. In this article, we delve into the key components of optical modules



## The Branches of AI: Understanding Key AI Disciplines

AI has many branches--like NLP, computer vision, and robotics. Learn how each contributes to making machines smarter and more human-like.

## A role for optics in AI hardware

Therefore, optics is receiving attention again, both as a way to decrease energy requirements 3, and as a special-purpose hardware for



## Branches of Artificial Intelligence

To find answers, I began looking into the branches of AI, each of which plays a special role. There's been an acceleration in adoption and



## Optical Modules and Networks for AI-Era Data Centers

We review recent advances in optical modules and networks for AI-era data centers (DCs), covering intra-DC optical pluggable transceivers, DC interconnections, optical cross-connect based flexible



## Contact Us

---

For datasheets, pricing, or custom high-speed optical interconnect solutions, please visit:  
<https://www.syropy.com.pl>