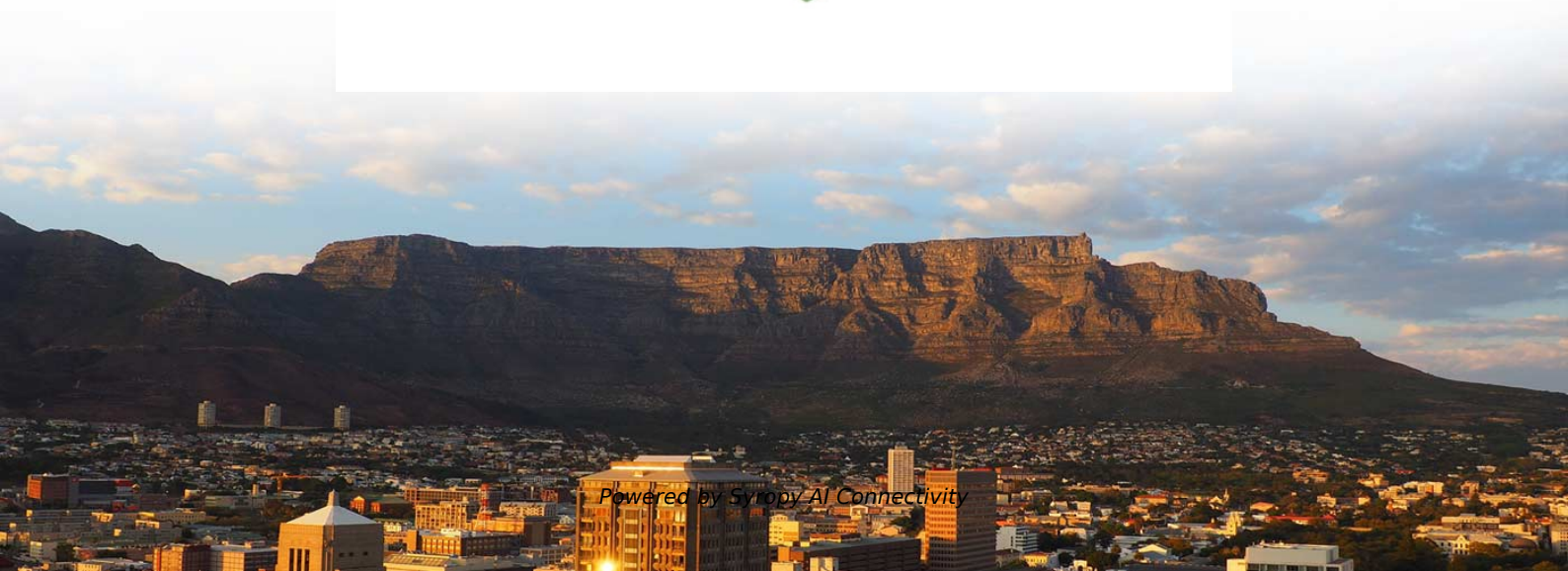


# There are several types of connection methods for trunk optical cables





## Overview

---

They are available with a variety of optical connectors including cross-connector solutions, and with plenum-rated jacketing to simplify system design work. Accelerating assembly and maintenance operations reduces downtime and saves costs. In modern telecommunications and data transmission systems, fiber-optic trunking cables are of great importance as they offer fast connections and reliability. Known for its square shape and push-pull coupling, SC is widely used in FTTH (Fiber to the Home) deployments and data. MPO Trunk cable integrates multiple optical fibers within a single pre-terminated cable — one deployment carries dozens to hundreds of high-speed signal channels — making it the standard choice for modern data center backbone cabling. Q: What are the different types of MPO trunk cables?

Q: What is the difference between Type A, B, and C MPO cables?

Q: Why are MPO trunk cables suitable for high-density cabling networks?

Q: What is an MPO female connector?

Q: How does one select the right MPO cable type for their needs?

Q: What is. PreCONNECT STANDARD was the first high-fiber-count, and modular „plug & play" fiber optic cabling system developed and manufactured.



## There are several types of connection methods for trunk optical cable

---



### Fiber-optic cable

Different types of cable are used for fiber-optic communication in different applications, for example long-distance telecommunication or providing a high

### The Ultimate Guide to MPO Cable Types:

This article describes different types of MPO cables and their applications based on fiber optic connectors' intricacies. Several configurations



### The Role of Fiber Trunk Cables in Modern Network Infrastructure

What is a Fiber Trunk Cable? A fiber trunk cable is a type of multi-fiber optical cable that consolidates multiple individual fiber optic strands into one single, high-performance cable. These

### Fiber assemblies for trunk cables in parallel transmission systems

Two types of such transmission, based on spatial and spectral multiplexing, have been widely adopted in engineering practice.



### Maximizing Network Efficiency with Fiber Trunk Cables: Features

The applications of fiber trunk cables are diverse and span across multiple industries. In data centers, fiber trunk cables are used to establish connections between core switches,



### What's the Difference Between Fiber Optic Cables, Fiber

Discover the differences between fiber optic cables, trunk cables, and breakout cables in this guide. Learn about each type's purpose, applications, and benefits



### Understanding MTP® Trunk Cables: The Backbone of

MTP® trunk cables are important in the deployment and upgrading of densely populated networks of fiber optics. These cross-connected cables are





## What is Trunking in Networking? Explained with Example

We have also covered trunking configurations, best practices and troubleshooting tips. What is a Trunk in Computer Networks? In computer

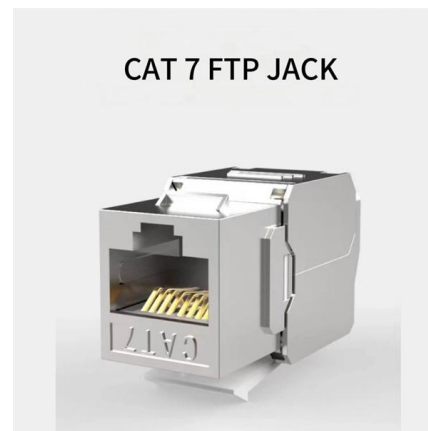


## Optimizing the Fiber Trunk Cable in Data Centers and

A fiber trunk cable is a fiber optic cable assembly used in data centers, storage area networks, high-speed computers, remote device connections, and Ethernet

## MPO/MTP Fiber Patch Cable Types and Applications

Therefore, depending on these methods, there exist MPO/MTP fiber optic cables of different configurations. These MPO/MTP fiber optic cables are



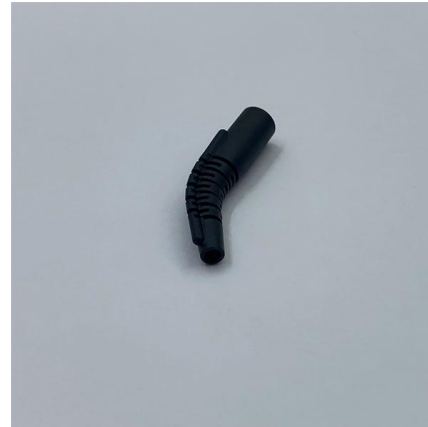
## MTP®/MPO Cables Explained: Types, Applications, and

There are three MTP®/MPO polarity cable types: Type A, Type B, and Type C. Each is defined by how fiber positions are mapped from one end of the



### MPO Trunk Cable vs. Traditional Fiber Optic Cables

What Are MPO Trunk Cables? An MPO trunk cable (Multi-Fiber Push-On) is a pre-terminated fiber optic cable designed for high-density, scalable connectivity.

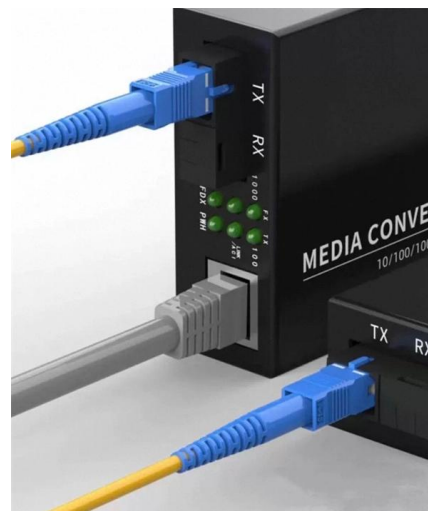


### Handbook Optical fibres, cables and systems

The first ITU-T Handbook related to optical fibres, Optical Fibres for Telecommunications, was published in 1984, and several others have been produced over the years. It is an honour to present you with

### Trunk cables & preassembled installation cables

At EFB-Elektronik, you can get fiber optic trunk cables with two different connector types: Lucent Connector (LC) and Standard or Subscriber Connector (SC). Both fiber optic connectors can be used



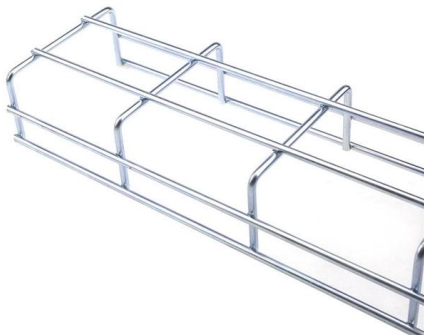
### High Fiber Count Trunks Applications Guide

AEN161, Revision 2 This Application Engineering Note will serve as a guide to selecting the best Corning Optical Communications High Fiber Count solution for your structured cabling



### **What Is MPO Trunk Cable? Structure, Types, and**

MPO Trunk supports three standard polarity types -- Type A (straight-through), Type B (reversed), and Type C (pair-swapped) -- as well as



### **MTP®/MPO Jumper, Harness, and Trunk Fiber Cables:**

Learn the differences between MTP®/MPO jumper, harness, and trunk fiber cables. This guide explains their structures, applications, and how to

### **Different types of fiber optic cable connectors**

Isn't it our duty to make sure that there won't be any data loss or security issues when this happens? How effectively we can do this? The answer



### **Fiber optic trunk cables , Rosenberger OSI**

Depending on the cable type used in the trunk cable, these are suitable for purely indoor applications with corresponding CPR fire classes, but also for universal applications and purely outdoor applications



## Fiber Connector Types: A Comprehensive Guide 2025

Among these components, fiber connector types are essential to network performance, reliability, and scalability. This guide will walk you through



## Understanding the Complete Spectrum of Fiber Optic Trunk Cable

Discover the various types of fiber optic trunk cable available, including different connectors and configurations to suit your specific needs.

## MTP®/MPO Cables Explained: Types, Applications, and

What is MTP®/MPO cable? MTP® vs MPO cables, are they the same? This comprehensive guide first introduce MTP®/MPO cable, then breaks



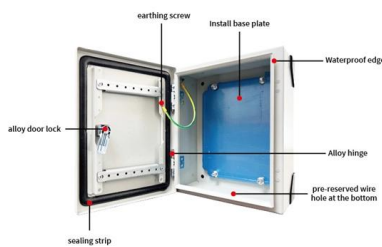
## MTP MPO Cable Guide: Types, Polarity & Connections

Master MTP MPO cables with our complete guide. Learn connector types, polarity (A/B/C), keying positions, and applications for 100G-400G networks.



## What are the different types of Fiber Trunk Cables?

In summary, Fiber Trunk Cables are available in various types based on their mode of transmission, core diameter, jacket material, fire resistance, and



## OptoTrunk Cables , Molex

OptoTrunk Cables optimize space, simplify system architecture, improve performance and support expansion in data center applications. They enable

## OptoTrunk Cables , Molex

OptoTrunk Cables combine multiple cables into one, using high-density connectors like 144F Expanded Beam Optical (EBO) and LC cartridges to enable efficient,



## Unleashing High-Speed Communication The Ultimate Guide to Optical

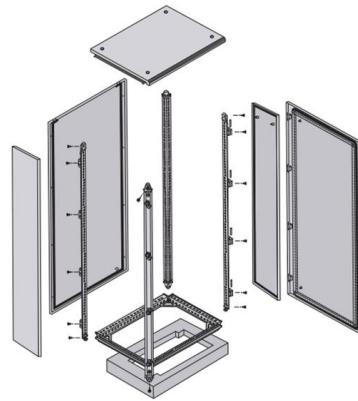
One of the critical aspects of optical fiber trunk cables is their mating connectors, which are responsible for connecting the cable ends to other devices or network components. These



## What is Trunking? - Definition from WhatIs

-

What is trunk and what is trunking in networking? A network trunk is a communications line or link designed to carry multiple signals simultaneously to



## MTP/MPO Trunk Cables vs. Breakout Cables

The good news is that CablesPlus USA offers a complete range of both multimode and singlemode MTP/MPO trunk cables and breakout cables

## Fiber Trunk Cables: The Backbone of High-Speed Connectivity

A fiber trunk cable is a type of optical fiber cable designed to handle multiple fiber connections within a single, robust cable. Unlike standard patch cables, fiber trunk cables are used



## Contact Us

---

For datasheets, pricing, or custom high-speed optical interconnect solutions, please visit:

<https://www.syropy.com.pl>