

# The price of optical fiber cable 6





## The price of optical fiber cable 6

---

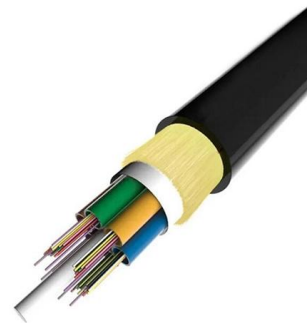


### KabelDirekt TOSLINK - Optical Audio Cable - 6ft

Amazon : KabelDirekt TOSLINK - Optical Audio Cable - 6ft - Fiber Optic Cord, S/PDIF Digital Audio Optical Cable for Soundbar, Stereo Systems, Home

### 6 Fiber Fiber Optic Cables - Mouser

Mouser offers inventory, pricing, & datasheets for 6 Fiber Fiber Optic Cables.



### Fiber Optic Cables

CommScope designs and manufactures a comprehensive line of fiber optic cables--from outside plant to indoor/outdoor and fire-rated indoor fiber cables.

### How Much Does Fiber Optic Cable Cost? 2025 Factory

Searching for how much does fiber optic cable costs? Stop guessing. We break down 2025 prices for OS2, OM3, and Armored cables directly from the Wolontek



Rear of the optical fiber distribution box

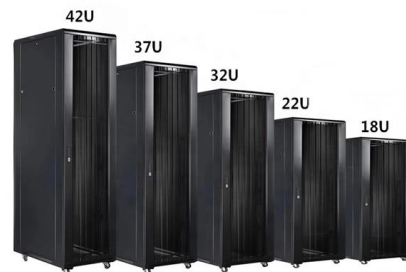


### The cost of fibre optic cable for drones has increased

The cost of fibre optic cable has been surging over the past 2-3 months, with no current signs of price stabilisation for raw materials. "If it was

### Cost of Fiber Optic Cable: Pricing Guide (2026)

Discover the cost of fiber optic cable in this pricing guide. Learn material prices, installation factors, and what impacts total project costs overall.



LoRa handheld portable base station



### Fiber Optic Cable Cost Optimization: Sourcing, Labor

By addressing the specific requirements of producing 90 km of fiber optic cable per day, we successfully identified key cost drivers and projected profitability,



## 8 Core Indoor Fiber Optic Cable SM LSZH Price

8 Core GJFJV Indoor Fiber Optic Cable SM Single-mode Multi-Core Tight Buffered LSZH Distribution Indoor optical Fiber Cable is made of multi-strand aramid yarn,



## Fiber Optic Cable

Find here Fiber Optic Cable, OFC manufacturers, suppliers & exporters in India. Get contact details & address of companies manufacturing and

## Fiber Optic Cable Cost Guide 2026 - LatestCost - Real-Time Price

Buyers typically pay for fiber optic cable by length, fiber type, and installation complexity. Main cost drivers include cable grade (indoor vs outdoor, armoured), distance, and labor for



## Peru Fiber Optic Cable Market Analysis 2026

2026 Market Analysis Report: Fiber Optic Cable Pricing Focus Region: Peru & Latin America Report Date: January 2026 1. Market Overview As of early 2026, the global fiber optic cable market has



## 6 Core Fiber Optic Cable Price and Specification Guide

Compare 6 core fiber optic cable price by single mode or multimode fiber, jacket, armor, tensile strength, packing length, and testing.



## Worldwide Optical Fiber Composite Cable Market 2026

Impact of Regional Variations on Pricing Strategies in the Worldwide Optical Fiber Composite Cable Market Regional dynamics heavily shape pricing strategies for optical fiber

## Fiber Optic Cable Cost Guide 2026 - LatestCost - Real-Time Price

The price of fiber optic cabling depends on cable type, length, installation method, and surrounding materials. Typical costs hinge on fiber count, indoor versus outdoor use, and whether



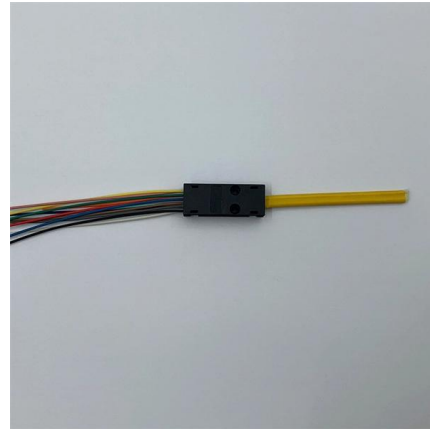
## Worldwide Optical Fiber Composite Cable Market 2026

The Optical Fiber Composite Cable market is projected to reach USD 6.02 Million by 2028, up from USD 3.67 Million in 2023.

## Fiber optic patch cable, OS2, LC

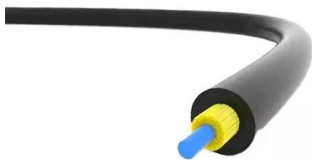


Fiber optic patch cable, OS2, LC - LC, 6 m, yellow  
Fibre optic cables by KABELMEISTER - Reliable  
delivery favourable prices For business and  
private Order online at reichelt elektronik now!



### **6 Strand OM4 Fiber Optic Cable , Fiber By the Foot**

6 Strand Indoor Plenum Rated Multimode  
10/40/100 GIG OM4 50/125 Fiber Optic Cable by  
the Foot with Corning® Glass - Made in the USA



### **Fiber Optic Cable Pricing Guide: Factors That Affect**

Fiber optic cables are essential components in today's broadband, FTTx, and data center networks. Whether you're planning a national fiber rollout



### **6 Core Optical Fiber Cable**

6 Core FTTH Single Mode Optical Fiber Cable - Round OD 5.8 mm + FRP + Yarn. Our 6 Core FTTH Single Mode Optical Fiber Cables are designed to meet the high demands of modern





## Fiber Optic Cable Price in Bangladesh 2026

Fiber optic cable price in BD is Tk 14 per meter, which is 4 core fiber optic cable and all-weather resistant. Fiber cable price in Bangladesh generally varies depending



## Comprehensive Guide to Fiber Optic Cable Pricing: Cost Analysis and

Explore detailed insights into fiber optic cable pricing, including cost factors, quality considerations, and long-term value benefits for modern telecommunications infrastructure investments.

## Fiber Optic Cable Supply , Buy Fiber Optic Products

Shop for fiber optic cables at Cables Plus USA, leader in fiber optic products supply offering high-quality products at the best value through our fiber optic cable



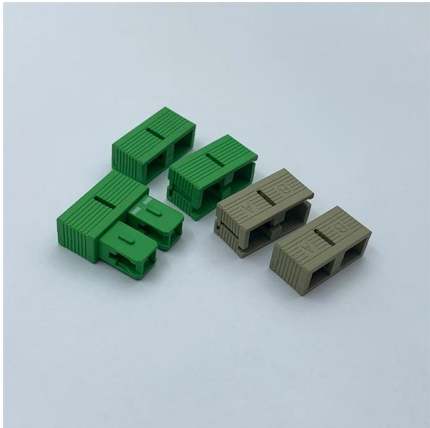
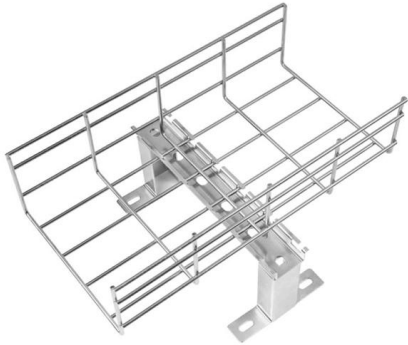
## Vietnam Optical Fiber Cables Market (2025-2031) , Trends, Outlook

6Wresearch actively monitors the Vietnam Optical Fiber Cables Market and publishes its comprehensive annual report, highlighting emerging trends, growth drivers, revenue analysis, and forecast outlook.



**Online Bulk Cable Company , CableWholesale**

As a premier online bulk cable company, CableWholesale carries a large inventory of computer cables, USB, HDMI, fiber optic, VGA cables, and more. Shop now!



**6 Core Armoured Fiber Optic Cable Price Guide for Installers**

Understand 6 core armoured fiber optic cable price by fiber type, armor structure, jacket, tensile strength, drum length, and order quantity.

**latestcost**

Buyers typically pay a range for fiber optic cable per foot depending on fiber type, jacket, and shielding, plus installation considerations. This guide outlines typical cost rang



**The Most Complete Guide to ADSS Cable**

Are you in search of the optimal fiber optic cable for your network? Well! It is critical to choose the right cable so that performance, longevity, and



## Wire & Cable Prices

CRU provides comprehensive, accurate and up-to-date price assessments and research reports for bare optical fibre across various key regional markets, combined with insights into the



## Contact Us

---

For datasheets, pricing, or custom high-speed optical interconnect solutions, please visit:

<https://www.syropy.com.pl>