

# **The place where cables are routed is called a cable tray**





## Overview

---

A cable tray is an organized support structure designed to secure and route these insulated electrical cables. It acts as a dedicated pathway for power distribution and data transmission, often supporting cables hidden behind walls or above ceilings. It indicates the direction in which the wires will follow from one side of a building to the other. In order to do that, we employ the use of various mechanisms such as conduits, trays, and pits to contain the wires.



## The place where cables are routed is called a cable tray

---



### Understanding The Purpose Of Cable Tray Systems -

Cable tray systems are used to route electric cables and make them easier to locate. Knowing the purpose of cable tray systems will help you better

### 3 Types of Cable Trays and Their Benefits

What Are Cable Trays? Cable trays are support structures used in the electrical wiring of buildings and other structures, designed to secure insulated electrical



### 7 Types of Cable Trays: How to Choose the Right One

Cable tray systems are engineered support structures designed to route, support, and protect insulated electrical cables used for power distribution,

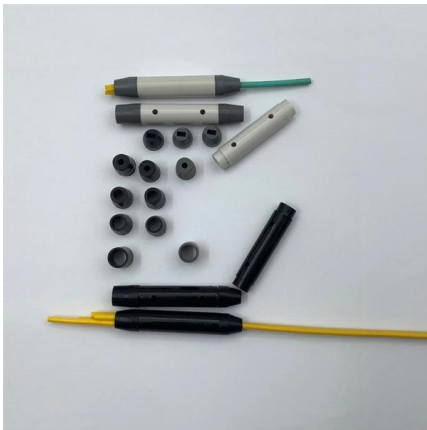
### What Is A Cable Tray? 5 Types Of Cable Trays

A cable tray is a structural system used to support and manage electrical cables in various settings, such as industrial, commercial, and residential environments.



### Cable Tray SHIB NAL

Cable trays are not raceways, but they are treated as a structural component of a facility's electrical system. Cable trays are a part of a planned cable management system to support, route, protect and



### What are the features of Cabling? Cable routing, cable

Cable routing is the process of installing cable through the possible shortest path. The cables can be routed through cable ladders and cable trays.



### Everything You Need to Know About Cable Trays , Cable Trays

Discover the different types of cable trays, their many benefits when used in electrical wiring and network cabling, installation processes, and essential maintenance tips for keeping your





## What is Cable routing? , Instrumentation and Control

What is cable routing? Cable routing is a structure used to protect the cable from mechanical stress and harsh situation such as abrasion which might



### Cable tray explained

Types Several types of tray are used in different applications. A solid-bottom tray provides the maximum protection to cables, but requires cutting the tray or using fittings to enter or exit cables. A deep, solid

## What Is Cable Tray (Purpose, Materials And Applications)

What is cable tray? Learn about its types, uses in industries, safety benefits, and how it organizes and supports cables in various environments.



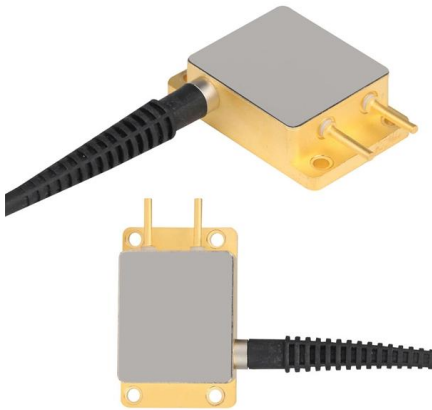
### Types of Cable Trays: Benefits and Uses

Different types of cable trays offer key benefits, optimizing cable management and enhancing efficiency in electrical systems.



## Cable Trays and Their Uses: Definition, Types, and

Cable Trays Definition A cable tray is a structural system used to support insulated electrical cables used for power distribution, communication, and control. It



### Cable Routing

Unlike conduit, cable trays are open, leaving the cables exposed to the environment. This often necessitates special cable insulation rated for exposure

### What Is the Difference Between Cable Tray and Cable

When cables aren't routed properly, they can get damaged or cause serious problems. Choosing between a cable tray and a cable trench helps keep



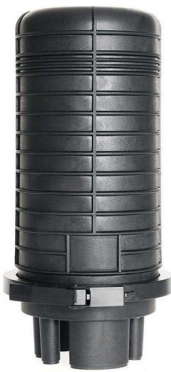
### What Is A Cable Tray Layout And Section , Hutaib Electricals

A cable tray layout is a crucial aspect of electrical system design that dictates how cables are managed, organized, and protected within a facility or building.



## Cable Tray Explained

A cable tray is an essential component of modern electrical systems, designed to support and organize electrical cables effectively. It provides a



## Cable Tray Layout & Section (Electrical) , PMG Engineering

Explore the essentials of cable tray layout and section design in electrical systems, ensuring optimal cable management and support.

## Cable Tray Systems Explained: The Right Solution for

Cable tray is used to support, route, and organise electrical and data cables in commercial and industrial installations. It provides an open, ventilated pathway



## Types of Cable Trays - Purpose, Advantages,

Cable tray is alternatives to wire ways and electrical conduits, which completely enclose cables. Study types of cable trays, purpose, advantages.



## Cable Route

Cable route refers to the designated path that cables, such as instrument and electrical cables, follow within a facility, often utilizing equipment like cable trays or ladders to ensure proper organization and



## Exploring Cable Tray Types and Applications

Often unheralded, cable trays play a vital role in tray cable installations throughout industrial, commercial, and residential projects. Just like

## Understanding Cable Pathways, Cable Conduits, Cable

A cable pathway or raceway is a protective channel or enclosure made of materials like metal or plastic, used to manage and safeguard electrical cables and wires. It



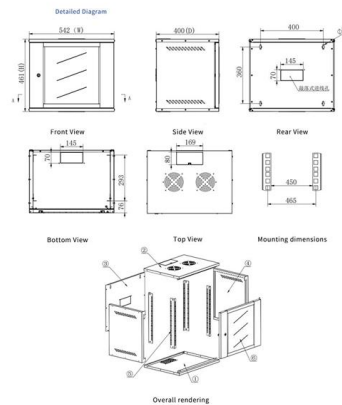
## What Are Cable Trays and How Do They Work?

A cable tray is an organized support structure designed to secure and route these insulated electrical cables. It acts as a dedicated pathway for power distribution and data transmission, often supporting



## Cable Pathways vs. Conduits vs. Trays vs. Pits: A Strategic Selection

Cable trays are robust, open metal frames that are employed to contain a significant amount of wires simultaneously. They are more suitable than closed pipes in large projects as they



## Cable Tray Systems: A Complete Guide to Types

A cable tray system is a unit assembly of sections and fittings that forms a rigid structural system used to securely fasten or support cables and

## 100+ Essential Questions Answered About Cable Trays:

Discover over 100 expert answers about cable trays, covering key topics like material selection, load capacity, installation methods, and maintenance.



## What Happens If Russia Attacks Undersea Internet Cables

You don't notice when a cable faults, especially if you live somewhere like the United States, because your Instagram message or Google Voice call is



## A Comprehensive Guide to Tray Cable

Since cable trays do not fully enclose cables, which would be the case with cable raceway or ducts, tray cable must conform to strict requirements to



## Contact Us

---

For datasheets, pricing, or custom high-speed optical interconnect solutions, please visit:  
<https://www.syropy.com.pl>