

The fiber optic pigtail connector of the network cable cannot be removed





Overview

The fiber optic pigtail is a type of fiber optic cable with a pre-installed connector on one end while the other remains unterminated. It is usually suitable for field termination using a mechanical or fusion splicer. I have this connector on my optic fibers cable and I want to remove the connector so I can pass through a hole in the wall I have no tools for optic fiber cables and i cannot make the whole any larger, can I remove the connector from the cable and put it back on ?

you will need to get someone to.



The fiber optic pigtail connector of the network cable cannot be removed



Durable FTTH Terminal Box , Fiber Termination

FTTH Termination Box available for the distribution and terminal connection for various kinds of optical fiber system, Some are used for indoor cabling and others

10 Qty Simplex SC/APC 9/125 Single-mode Fiber Optic Pigtail

10 Qty - OS2 Single Mode Fiber Patch Cables 1M SC/UPC - SC/APC Simplex #59a-i \$9.90 SC to SC Simplex SM / Single Mode Fiber Optic Connector Coupler QTY 10 - 025478 \$14.00 9-QTY 10M/32.8'



Fiber Optic Socket Wall Outlet: A Buyer's Guide

As fiber-to-the-home (FTTH) and fiber broadband continue to replace traditional copper infrastructure, the Fiber Optic Socket Wall Outlet has become an essential component of modern

Fiber Optic Connector End Face Quality and Maintenance

Cisco Systems advocates starting with dry cleaning. If the contamination is not removed after the second cleaning cycle, a wet-dry solution is called for. This workflow chart comes from



Splicing Fiber Optic Machine

Splicing fiber Optic patch panel/Termination Box/ODF Fiber optic patch panel is an integrated unit for fiber management, Foclink offer wall mounted fiber optic patch panel and rack mounted fiber optic



New Condition Ifpt-sc-os1-sx-01 Fiber Optic Pigtail Cable

Shop at Auto2mation for genuine industrial automation & marine spare parts from 1000+ top brands at affordable prices. Free shipping & easy refunds policy.



FTTH Distribution Terminal Box, FTTH Fiber Optic

Fiber Optic Termination Box is used in the end termination of drop cables in residential buildings and villas, to fix and splice with pigtails. UnitekFiber supplies





Fiber Optic Pigtail SC/FC/LC/SC APC/UPC Single-Mode Beam-Type

Type Fiber optic cable Number of Conductors >= 10 Conductor Material Glass Fiber Type Fiber optic cable Conductor Type Stranded Model Number SC/FC/LC/SC-APC/UPC-12C Place of Origin

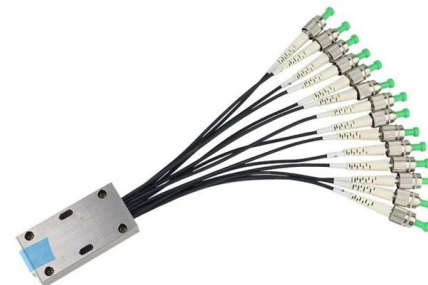


What is Ribbon Fiber Optic Cable? A Guide to Its Benefits

Explore what ribbon fiber optic cable is. Our guide covers its flat structure, types, and key benefits like mass fusion splicing and space-saving

How to Splice Fiber Optic Pigtails: A Step-by-Step Guide

Master the art of fiber termination. Learn how to splice fiber optic pigtails using fusion splicing, follow the color code, and ensure low insertion loss.



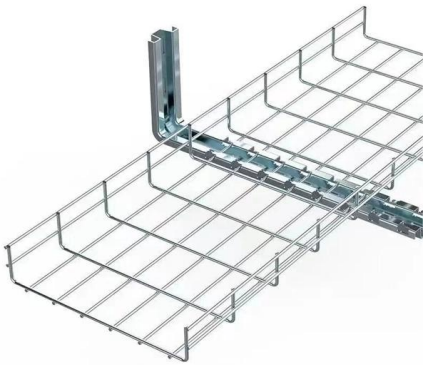
1M Fiber Optic Pigtail Cable Ftk-sx-sm-sc-pt-01M

Sc Sm Spx Pigtail 01M (9/125)Ftk-sx-sm-sc-pt-01MP618-2676II- 0.14RI- 45.7Sc-pWeight: 50 Gm



What Is Fiber Optic Pigtail and How to Splice It?

It can be attached to optical fibers by fusion or mechanical splicing. Given the access to a fusion splicer, you can splice the pigtail right onto the cable



Fiber optic connector removing it and then putting it

Luckily I find most people now will want their electrician to run the cable but let a low-volt guy do the terminations, and they generally can't fuck up the runs too badly.

The Definitive Guide to Fiber Optic Cables in Sri Lanka

Explore premium fiber optic cables in Sri Lanka for data centers & networks. Discover OM3/OM4 patch cords & pigtails from A& G & Dintek



Fiber Optic Pigtail: The Backbone of Your Network

The Fiber Optic Pigtail is a foundational component in modern telecommunications, serving as the critical link for terminating fiber optic cables.



Fiber Optic Pigtail Introduction and Installation Guide

The fiber optic pigtail is a type of fiber optic cable with a pre-installed connector on one end while the other remains unterminated. This configuration allows the

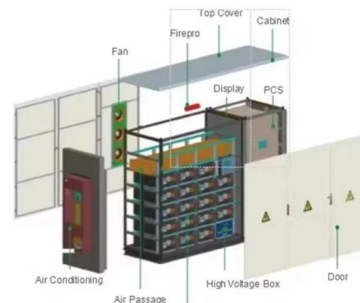


What is Fiber Pigtail? A Complete Guide for Beginners

While both fiber pigtails and fiber optic cables play important roles in optical networks, they have distinct characteristics and applications. In this article,

Fiber cable termination

In order to terminate a Fiber Optic cable, the appropriate connector must be determined. The type of fiber-optic adapter that the terminated cable will connect to will dictate which connector will be used.



Precision Fiber Products, Inc. , Leading Fiber Optic

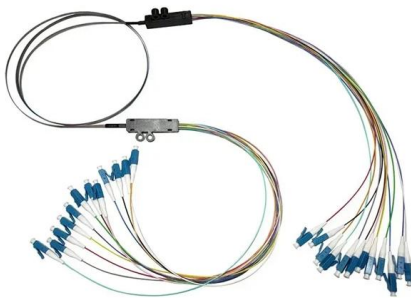
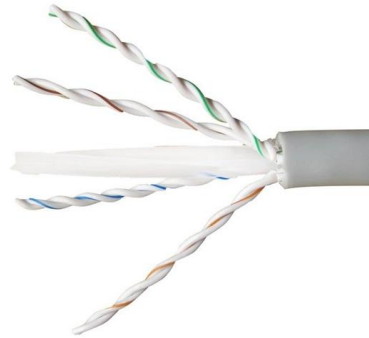
Precision Fiber Products, Inc. offers a wide range of fiber optic products. We specialize in fiber optic interconnect components, including fiber optic cables,

Fiber Optic Pigtails: Choosing the Right LC,



ST, or SC

Learn about the importance of fiber optic pigtailed in network connections and discover the differences between LC, ST, and SC pigtailed. Find

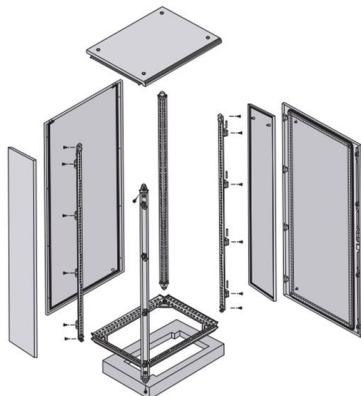


What is a fiber optic jumper? What is a tail line? What's

What is the difference between jumper fiber and pigtail? How are they applied? Where is it used? In the past few days, several friends have left

Custom Fiber Optic Cable Guide: Spec & Order Factory Direct (2026)

Need specific lengths, armored jackets, or custom connectors? Learn how to order custom fiber optic cable assemblies direct from the factory. 5-day lead times.



(12) 12 Fiber LC/UPC Singlemode 9/125um 900um Spiral Wrap Fiber Optic

High Quality 12 Fiber LC/UPC Singlemode Fiber Optic Pigtailed designed for fiber splicing, termination, and telecom/network installations. These OS2 9/125um pigtailed feature precision polished LC/UPC

Sc Sm Spx 9/125 Fiber Optic Pigtail



P618-2523 With New Condition

Shop at Auto2mation for genuine industrial automation & marine spare parts from 1000+ top brands at affordable prices. Free shipping & easy refunds policy.



Fiber Optic Pigtails: Uses & Differences from Patch Cords

Understand fiber optic pigtails -- definition, types, and how they differ from patch cords. Learn why pigtails ensure reliable, low-loss fiber terminations.

Fiber Optic Pigtail SC/LC/FC/ST APC/UPC Single Mode 9

Fiber Optic Pigtail SC/LC/FC/ST APC/UPC Single Mode 9/125um 0.9mm Tight Wrap FTTX/FTTH/FTTB/FTTO/FTTC Solution



ViaGasaFamido Fiber Optic Cables, 12 Core LC/UPC Multimode Pigtail

Product Summary: ViaGasaFamido Fiber Optic Cables, 12 Core LC/UPC Multimode Pigtail Cable, 1.5 Meters Length, Ideal for Network Connections From ViaGasaFamido



Contact Us

For datasheets, pricing, or custom high-speed optical interconnect solutions,
please visit:

<https://www.syropy.com.pl>