

The electrical distribution box was making a squeaking noise



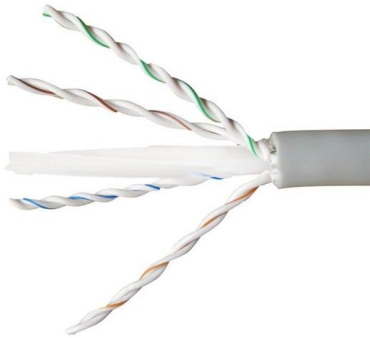


Overview

It's also possible that someone has overloaded the breaker box in an attempt to squeeze more circuits into an outdated unit. Distribution boxes are the unsung heroes of our electrical systems, quietly managing power until something goes wrong. A buzzing noise coming from your electrical panel, often called a fuse box or breaker box, should be treated with urgency because it represents an electrical fault that is abnormal and potentially hazardous. A faint, low humming sound is sometimes a normal byproduct of alternating current (AC).



The electrical distribution box was making a squeaking noise



Common troubleshooting of distribution boxes: analysis of causes of

Distribution boxes are the unsung heroes of our electrical systems, quietly managing power until something goes wrong. When they start tripping, overheating, or making strange noises, it's more

What It Means When Your Fuse Box Is Chirping

If your fuse box has been chirping, it's likely caused by an electrical

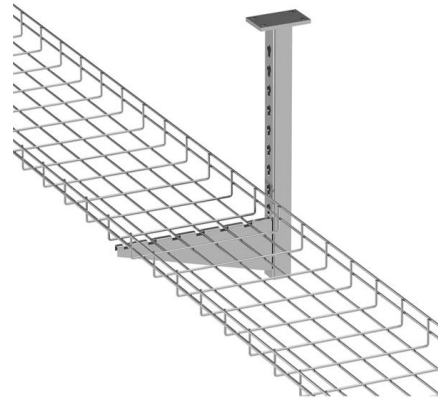


What Causes Buzzing Sounds in Your Electrical Panels?

If you have ever stood near your breaker box and wondered whether your home was suddenly filled with angry insects, you are not alone. Buzzing

such/ignore.txt at main · yeerma/such · GitHub

aasdadasda. Contribute to yeerma/such development by creating an account on GitHub.



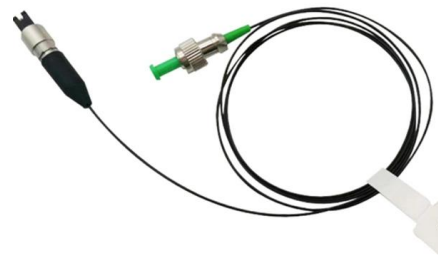
Causes of Electric Circuit Buzz Crackle or Sizzle

What could be causing a buzz and crackle sound in the electric box. How to find out and Locate the Cause of Electrical Circuit Buzz or Crackle, The Most Common



The Fusebox, Breaker or Electrical Panel is Buzzing!

There are few things more disconcerting than an electrical system making strange noises. If you suspect or know that your FUSEBOX IS BUZZING then this will



The Fusebox, Breaker or Electrical Panel is Buzzing!

A breaker box buzzing is indicative of things that are wrong in the electrical system and often an electrical safety check is a good idea along with the fault-finding





Why Your Electrical Panel Hums (And When to Worry)

Drop it in the comments! electrical panel humming is electrical humming normal why does my breaker box hum buzzing sound in electrical panel electrical arcing sound breaker box noise explained

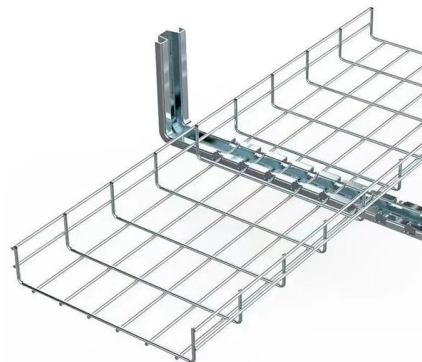


Why Is My Electrical Panel Buzzing?

"Why is my electrical panel buzzing?" If, for some reason, you found yourself asking this question, then this guide is written specifically for you. Here,

What Is Electrical Noise and Where Does It Come From?

What Is Electrical Noise and Where Does It Come From? This article provides insight into the fundamental characteristics and origins of the electrical



My electrical switchboard is making this continuous

In the main circuit breaker switchboard I have this continuous chirping noise. It chirps 3-4 times a seconds. It's not very loud. But you can hear it from



Electrical System Noise Warnings & Diagnosis

Noise at electrical components, fixtures, devices, transformers, relays, or wiring may mean there is a fire or shock hazard.



When Is an Electrical Noise in the House a Reason to

A major source of worry is when you hear a buzzing sound coming from the electrical panel. The panel makes a dull humming noise like any other

Buzzing Fuse Box: Causes, Solutions, and Electrical

Buzzing Fuse Box: Causes, Solutions, and Electrical Upgrades Have you noticed that your fuse box is making a buzzing noise? Is it progressively getting louder or



Quora

Hier sollte eine Beschreibung angezeigt werden, diese Seite lässt dies jedoch nicht zu.



Why Is My Fuse Box Buzzing? 24,7 Home Rescue

My fuse box is making a buzzing or humming noise! If your fuse box has started buzzing, humming, or making any other noises, you need to get a



Why Is My Electrical Panel Buzzing?

Your electrical panel, also known as a breaker box, is the hub of your home's electrical system, which is responsible for directing the flow of electricity

Electrical Distribution Box making a humming noise and

The noise has been identified as coming from the electrical distribution box which is attached to a cement wall that runs up all three floors in my bedroom as a firewall.



How To Fix Buzzing In An Electrical Box

The electrical box is the place where the power supply separates into the various circuits in your home, such as the lighting and wall sockets. Each



Finding & Fixing a Low Electrical Humming Noise

A low electrical humming noise can be more than just a nuisance. Learn how to find and fix a humming electrical outlet, breaker box, or appliance!



How to Stop the Sound From Your Electrical Panel

How to Identify Electrical Panel Noises Knowing how important it is to act promptly and address these problems quickly, here are some tips that will

How to Stop the Sound From Your Electrical Panel

Your electrical panel might start making strange sounds. This



Why Is My Electrical Panel Buzzing?

Electrical panels are the heart of all electrical devices running in the house. However, buzzing from the circuit box can be



Why is there a buzzing noise in my electrical panel?

A buzzing noise emanating from an electrical panel or breaker box can be a cause for concern and should not be ignored. It's essential to understand that this noise is often an indicator of an

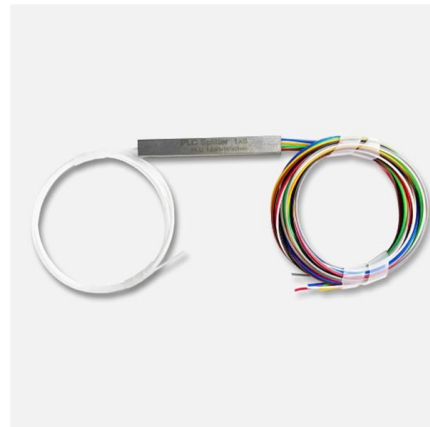


Nagaland News, India News, Northeast News

The Morung Express brings the Latest News, Top Breaking headlines on Politics and Current Affairs in Nagaland India and around the World, Naglaand News, Naga

Why Is My Fuse Box Clicking? Expert Answers to Common Electrical

Loud clicking in an electrical panel without power loss often indicates a breaker or relay cycling. Inspect breakers for looseness or signs of wear, as thermal expansion can cause noise.



Why Is My Fuse Box Buzzing and Is It Dangerous?

A buzzing noise coming from your electrical panel, often called a fuse box or breaker box, should be treated with urgency because it represents an electrical fault that is abnormal and



Common troubleshooting of distribution boxes: analysis of causes of

When they start tripping, overheating, or making strange noises, it's more than just an inconvenience - it's your home's cry for help. In this guide, we'll walk through these common issues like neighbors



3 Electrical Noises You Shouldn't Ignore

While we expect our plumbing or HVAC systems to be a little noisy, electrical systems are a little different. Whether you're turning on a light or plugging something in, you don't expect the

Buzzing Fuse Box: Causes, Solutions, and Electrical

We will examine the potential cause of the sound coming from your fuse box, the steps a homeowner should take to investigate the issue, and possible solutions to



Contact Us

For datasheets, pricing, or custom high-speed optical interconnect solutions, please visit:
<https://www.syropy.com.pl>