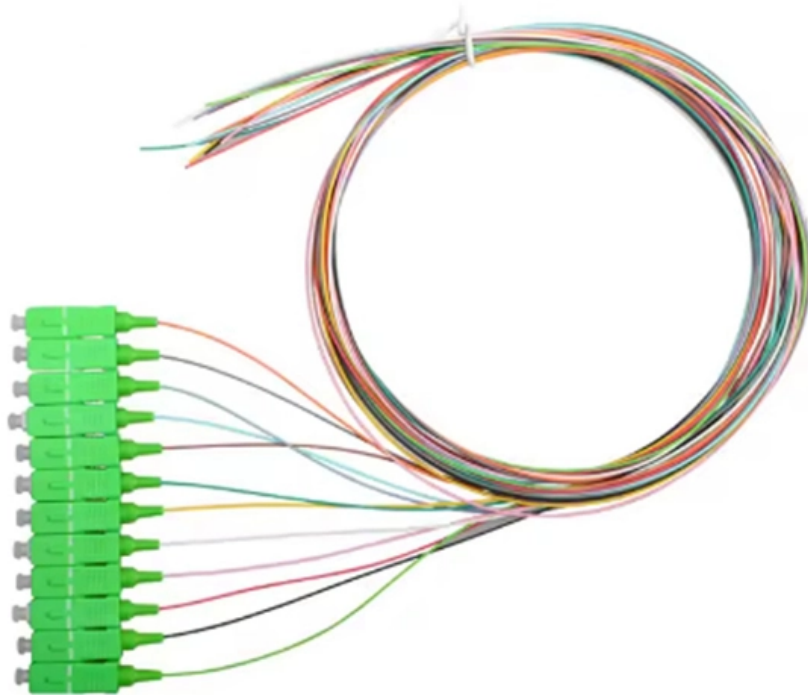


# **The distribution box has no neutral busbar connection**





## Overview

---

The main panel needs a dedicated neutral busbar terminal connected to the main neutral busbar located in the main panel. If the neutral connection is lost or broken in the main panel, several critical issues can arise: Unbalanced Voltage Across Circuits: Without a neutral, the 240V supply remains active, but 120V circuits can become unstable. A bus bar TERMINAL block is what you're putting the wires inside and screwing a terminal screw down to hold the wire. Three-phase distribution boards are used in large factories, buildings, manufacturing units. American wiring rules blow my mind, it seems so primitive Please expand, I'm curious.



## The distribution box has no neutral busbar connection

---



### LIFE WITHOUT A NEUTRAL CONDUCTOR IN A SUB - PANEL

All the existing white neutral wires and their grounds are connected to 1 bus bar, which is connected to the ground rod wire. There is no ground bus bar present.

### Where Does the Neutral Wire Go in a Breaker Box? -

Installing a wire neutral and ground in the breaker box is good to have a proper flow of electricity. Having no ground wire connection in your circuit is



### No neutral bus? : r/AskElectricians

The neutral is only bonded at the main panel per our code and there is a good reason for it. It's not always feasible (or necessary) to pull a ground from the

### Three(3) Phase Distribution Board Wiring Diagram and

The three-phase distribution board is carefully designed to receive electrical power from a three-phase supply and distribute it to multiple circuits



### How to install the neutral wire in the distribution box?

The installation of the neutral wire in the distribution box is a crucial part of the electrical system, which is related to electrical safety and system stability.

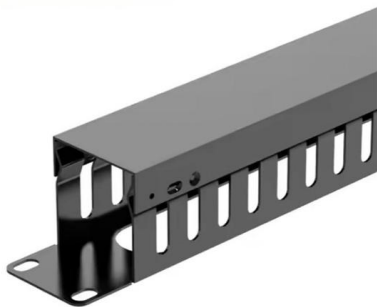
### Mixing Neutral and Ground in the main panel

Is it OK as per NEC to mix the Neutral and Ground in the main panel? What are the risks of doing that?



### Electric distribution box Austria , B2B companies and suppliers

Copper busbars, brass neutral links, copper connection bars and accessory for power distribution boxes, earthing material, NF metal components, equipotential bonding We manufacture busbar systems



### 3 Phase Panel Board Connection Internal



## Busbar , Distribution Board

Why all AC distribution is of 3-phase 4 wire system? Why neutral is required in 3-phase? 3 Phase MCB Distribution Board Industrial Power Distribution board How do you distribute a load in 3 phases?



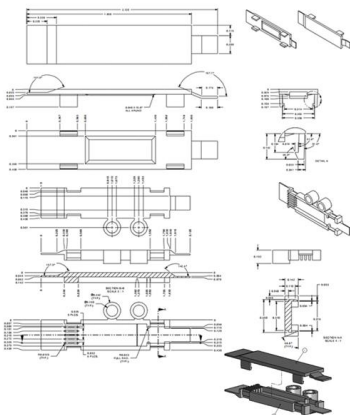
- IP65/IP55 OUTDOOR CABINET
- WATERPROOF OUTDOOR CABINET
- 42U/27U
- OUTDOOR BATTERY CABINET

### Can ground and neutral be on the same bus bar?

Ground and neutral can be connected to the same bus bar only at the main service entrance or at the first means of disconnect in a system. In all other

## electrical panel

@JimStewart No, I'm just pointing out that the neutral bonding be before this panel. And suggesting that if that's the case, the OP have to remove



### Can A Neutral and a Ground Share a Bus Bar

Can a neutral and ground share the same busbar in a sub panel that has a service disconnect? Short answer - NO!



### Can Neutral and Ground Be on the Same Bus Bar in

This is where the neutral and ground are connected to the same bus bar or a bonding screw is used to connect them through the panel enclosure. But



### How to wire a single phase DIN rail distribution board with two neutral

How to wire a single phase distribution board with two neutral busbars/rails -tutorial (SouthAfrica) Surge arrester calculation: calculated risk level for a surge arrester (Type 2) - South Africa

### How to install the neutral wire in the distribution box?

According to the needs of each branch circuit in the distribution box, draw out the corresponding number of outgoing neutral wires from the neutral wire busbar.



### TP& N Distribution Boards Guide , Meteor Electrical

Fully enclosed busbars offer an extra layer of safety and tidiness. Choosing the Correct Three-Phase Distribution Board Selecting the right TP& N (Three-phase and Neutral) distribution board is crucial



### Three(3) Phase Distribution Board Wiring Diagram and

Busbar Busbar is very important for 3 phase distribution box because here we cannot use normal wires for the connection as the voltage and current



### THREE PHASE DISTRIBUTION BOARD INSTALLATION AND

Before fitting the front cover, check the tightness of all connections, including factory made connections and ensure that blanks are fitted to all unused ways.



### BR01701001U\_PowerXpert\_Busbar\_Brochure\_EN

The above approach utilizes XP for Transformer to Main Distribution connection and Main Distribution to Subdistribution connection and MP Busbars with tap-off units c/w CE Sockets for plug-in connection.



### Does it make a difference if Neutral and Ground Busbars are shared

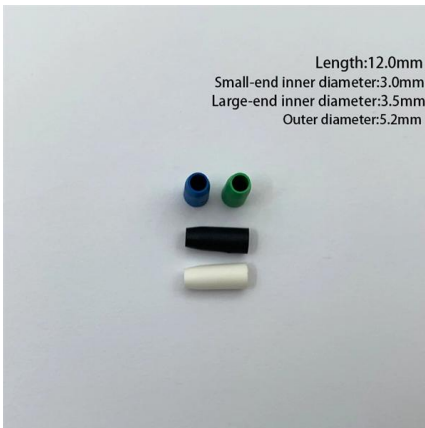
Those are both neutral bars. There are no ground bars. If you had one neutral bar insulated from the case, one ground bar mounted to the case, and a MBJ connecting the neutral bar



### Electrical Busbars



Electrical busbars conduct high current within power systems. Learn about types, maintenance, failures, and how to extend their lifespan.

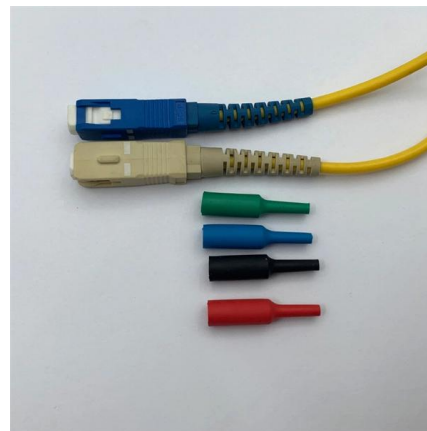


### Can ground and neutral be on the same bus bar?

Ground and neutral can be connected to the same bus bar only at the main service entrance or at the first means of disconnect in a system. In all other locations like

### Neutral Bus Bars - SolveForce Fiber Internet, Cloud Computing

Neutral bus bars, also known as neutral bars or grounded neutral bars, are important components within electrical panels and distribution systems. They serve specific functions related to electrical safety



### THREE PHASE DISTRIBUTION BOARD INSTALLATION AND

Push RCBO onto appropriate busbar outgoing way, as indicated on busbar way label, making sure the DIN clip is closed and faces towards the busbar assembly. Connect both live and neutral outgoing



### Sub Panel Neutral and Ground on Same Bus



**Bar -**

Can neutral and ground be on the same bar in a subpanel? No. Neutral and ground must remain separate in a subpanel to prevent shock hazards and

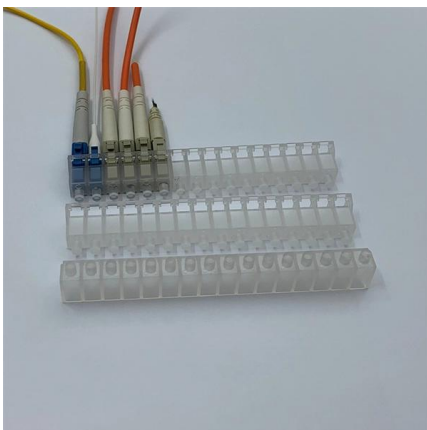


**What Happens if the Neutral is Lost in the Main or**

If you suspect a broken neutral, it's essential to turn off the power at the main panel and contact a licensed electrician immediately. A broken neutral is a serious

**What Is a Neutral Bus Bar and How Does It Work?**

In all subpanels, which are distribution panels located downstream from the main service, the neutral bus bar must be completely isolated, or "floating," from the panel enclosure and the separate ground



**electrical panel**

There's a neutral bar on each side of the panel, which are bonded



## Contact Us

---

For datasheets, pricing, or custom high-speed optical interconnect solutions, please visit:

<https://www.syropy.com.pl>