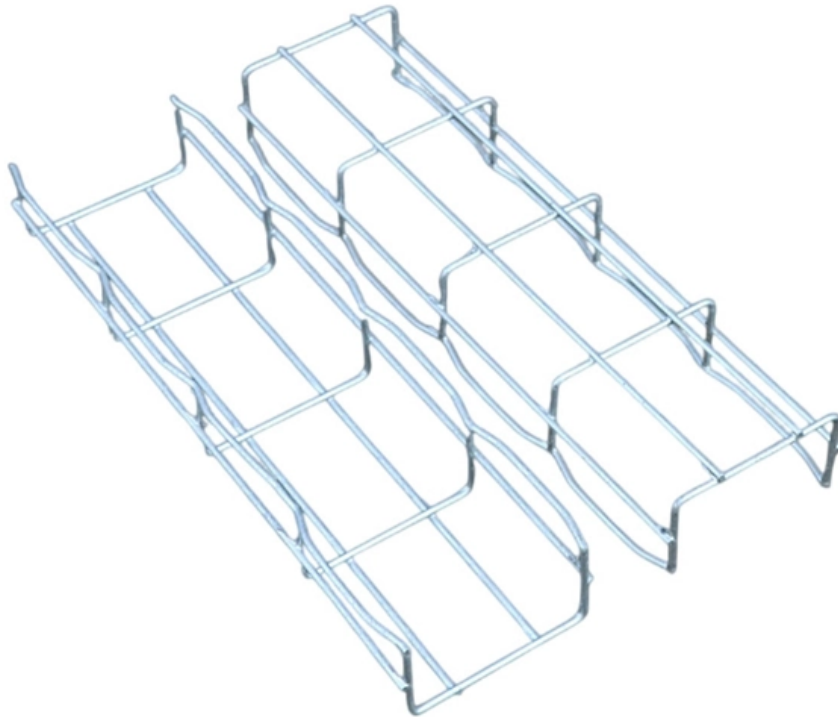


# **Testing and Debugging of Optical Distribution Box Module**





## Testing and Debugging of Optical Distribution Box Module

---



### Fiber Optic "Big Three": Termination Box, Distribution

Learn the key differences between Fiber Optic Termination Box, Distribution Box, and ODF for FTTH/FTTB networks. Optimize fiber deployment

### Fiber Optic Distribution Box Application and Research Report

This report discusses the application and research of the Fiber Optic Distribution Box (FDB), systematically explaining its basic concepts, functional structure, operating principles,



### 13-SDMS-06 REV. 00 MATERIAL SPECIFICATION FOR PASSIVE

This document specifies the minimum technical requirements for design, engineering, construction, manufacture, inspection, testing and performance of the passive components used to manage the



### How to Use Fiber Distribution Box: A Comprehensive

Consider future expansion needs when selecting box capacity Maintain proper fiber management from the beginning By following these



### **Optical Fiber Distribution Frame, Terminal Box,**

Optical Fiber Distribution Frame, Terminal Box, Distribution Box, ODF Distribution Frame The actual distribution frame is similar, and it is applied in different places



### **GF0148 01 Optical Fiber Cable Distribution Box Manual**

GF0148 01 Optical Fiber Cable Distribution Box Manual e a d e r



### **Design and Implementation of Integrated Debugging and Testing**

This article introduces the hardware and software design in detail, and explains the integrated debugging and testing process. And optimize the detection plan through the analysis of





## Design of Fiber Optic-Based Trainer Module with Bus

This module provides an opportunity for students to practice optical fiber splicing and identify problems in the bus topology directly.

LoRa handheld portable base station



## Fiber Distribution Box.pub

Fiber Distribution box contains the shell, the internals (supporting frame, set fiber disc, fixing device) and optical fiber joint protective element. Prominent advantages of fiber termination box lie in efficient

## LW-ODB-2B Optical Distribution Box

Optical Distribution Box provides fiber optic cable management for the connection of distribution cables and drop cables at the user access point in fiber optic network.



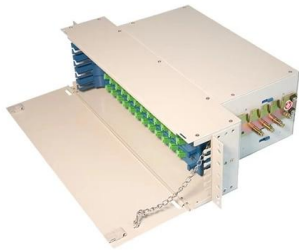
## 2021 Ultimate Guide of the Fiber Distribution Box

9. FAQ 10. Conclusion 1. What is a fiber distribution box? Fiber Distribution Box (FDB) is available for the distribution and terminal connection for



## Optical Cable Distribution: Efficient How-To Guide

Learn how to efficiently manage and distribute optical cables using a fiber distribution box. Explore protective sheath and organized distribution.



## Design and Performance of Novel Optical Fiber Distribution and

This paper describes the design and performance of a novel central office optical fiber distribution and management system for optical access networks. We clarify the requirements for an

## How to Test and Debug Code for Optical Fiber Systems

Learn the best methods for testing and debugging code that interacts with optical fiber components, such as simulators, debuggers, test suites, and more.



## Datasheet MODULETEK:CODINGBOX-C10 SFP/QSFP/XFP3-in

Read the Digital Diagnostic Monitoring(DDM/DOM) signals of modules. Interpret detailed parameters of MSA-compliant module coding. Perform script-based online debugging of optical transceiver modules.



## Fiber Optic System Testing Tutorial

OTDR testing should be used to corroborate previously determined test results (per a conventional source-meter test set) and/or to perform troubleshooting and subsequent discrete fiber



## What Are Distribution Boxes and Their Functions in

Understand the role of distribution boxes in fiber optics. Learn about their components, types, and functions in protecting and managing fiber optic

## Alcatel-Lucent Documentation Library

This test checks the connections of the optical (STM-1 or STM-4) Line Ports. The correct labeling on the ODF is checked by monitoring the source of the reported



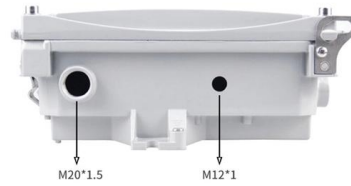
## Introduction to the Function and Specifications of the Optical Fiber

The optical fiber distribution box has a wide range of functions, including the introduction, fixation, and stripping protection of optical cables, fusion, and protection of optical fibers, storage of pigtailed,



## How to Test Optical Transceiver Modules: Methods, Metrics & Best

Learn how to test optical transceiver modules using power meters, BERT testers, and DDM tools. Ensure compatibility, performance, and reliability in data center and enterprise networks.

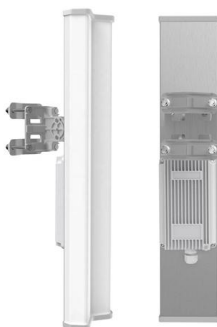


## Type and characteristics of optical fiber wiring box

Through the adapter in the wiring box, the optical signal is drawn out with the optical fiber jumper to realize the wiring function. Let's take an in-depth look at the product types and

## Quick guide to testing FTTH , Brochure , EXFO

The industry's first optical fiber multimeter (EXFO's Optical Explorer also known as the OX1) was specifically built for these tests. Just connect the fiber under test and push the start button; all the



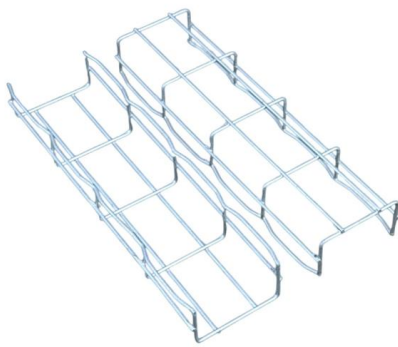
## CodingBox

- o Read the Digital Diagnostic Monitoring (DDM/DOM) signals of modules
- o Interpret detailed parameters of MSA-compliant module coding
- o Perform script-based online debugging of optical transceiver



## Optical Distribution Box

Application Description: Optical Distribution Point ODP Box provides a connection point between distribution cables and drop cables at the subscriber access point



## An In-Depth Exploration of Fiber Optic Distribution

It begins with an introduction to fiber optic technology and the pivotal role of distribution boxes in managing fiber optic cables. The article categorizes the

## PROVISIONAL TEST SCHEDULE AND TEST PROCEDURE

The Outdoor Fibre Distribution Hub shall be designed to manage fibre optic cables and passive optical splitter assembly found at the OSP. These boxes shall be used to connect feeder and distribution



## Fiber Optic Troubleshooting & Fiber Optic Testing

When plugging a fiber optic module in but it can't work normally, it might be the faults of the optical components within it or the improper operation



## Contact Us

---

For datasheets, pricing, or custom high-speed optical interconnect solutions, please visit:

<https://www.syropy.com.pl>