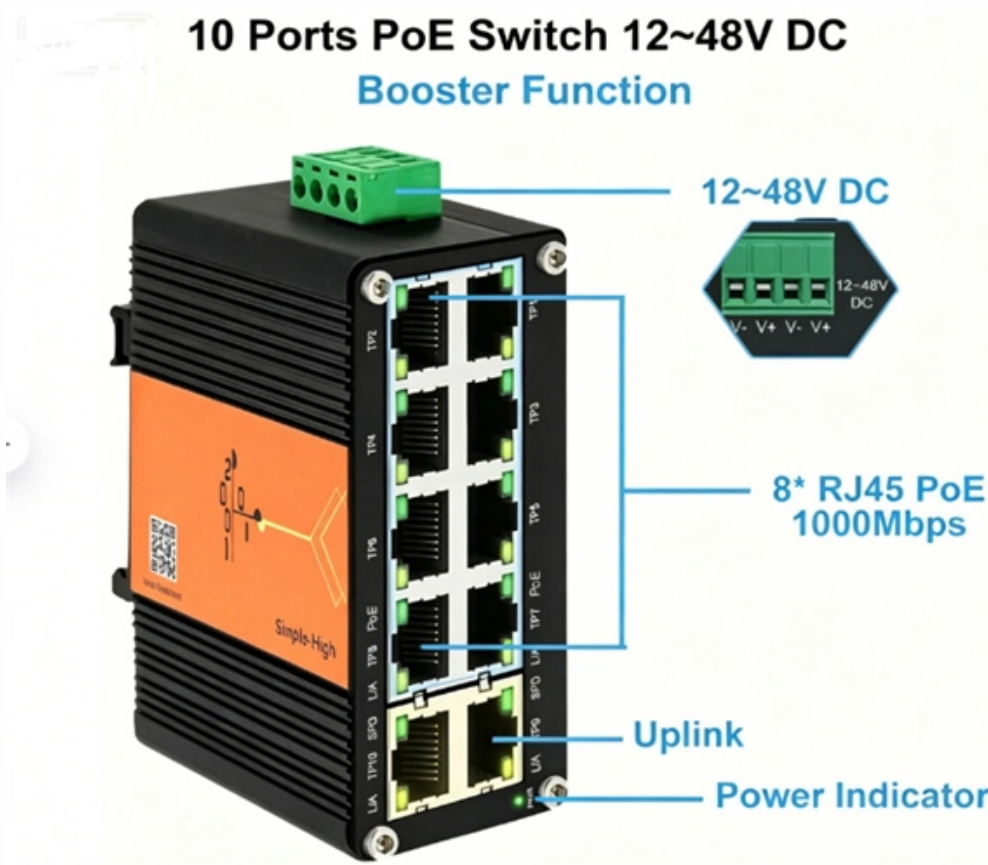


Temporary fiber optic cable laying





Temporary fiber optic cable laying



A Step-by-Step Guide to Fiber Optic Cable Installation

In our digital age, high-speed internet and reliable communication networks are powered by fiber optic cables, which transmit data as light signals at

Fiber Optic Cable Installation Process: Connecting Homes

The fiber optic cable installation process, meaning connecting homes with internet service, is becoming increasingly critical and important to understand.

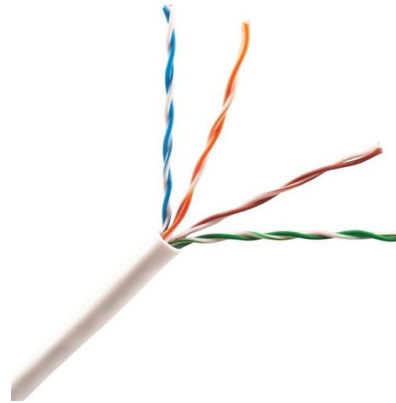


FOA Standard For Installing Fiber Optic Cable Plants

Installation is similar to installing a messenger wire except it also includes a fiber optic cable that requires careful handling like any other fiber optic cable.

Outdoor Fiber Installation Practices Explained for 2025

Outdoor fiber installation in 2025 requires weatherproof methods, FOA standards, and smart planning for reliable, scalable high-speed connections.



11 Tips for Installing Fiber Optic Cables

Learn more about how to install fiber optic cables. Check out our top 11 tips for fiber to the home installation today!



Safe Fiber Optic Cable Installation Tips and Best Practices

Summary : Fiber optic installation demands strict safety practices to protect personnel and ensure reliable network performance. This guide highlights



Fiber Optic Network Construction

Learn how fiber optic network construction works--from site survey and permits to aerial vs underground fiber cable installation, splicing, and FTTH



Temporary fibre optic network with field cables - Easy, portable and

A temporary fibre optic network based on our field cables provides an excellent solution when a fast and stable connection is needed without a permanent installation.



Fiber Optic Installation Process: Complete Guide (2025)

Laying the Fiber Optic Cable Our technicians will begin laying the fiber optic cable once the site survey and prep work are complete. This process can be

Fiber Optic Cable Installation: How To Properly Install It

A comprehensive guide to fiber optic installation - everything you need to know about fiber optic cabling for your network



The FOA Reference For Fiber Optics- Installing Fiber

The normal recommendation for fiber optic cable bend radius is the minimum bend radius under tension during pulling is 20 times the diameter of the cable. When



Underground Fiber Optic Cable Installation: Comprehensive Guide

Explore the process and benefits of underground fiber optic cable installation. Learn how this infrastructure investment can elevate your internet connectivity and speed.



Instal 04 Buried Cable Installation Practices Iss3

1.0 GENERAL 1.01 This procedure provides general information for the installation of Prysmian fiber optic cables in direct buried applications. The methods described are intended for guideline use only,

Frequently Asked Questions

Weather, ground conditions, topography, contractor schedules, equipment failures, and other factors all play a role in determining when, if, and how we bury our fiber optic internet lines. Below you will find



The FOA Reference For Fiber Optics -Outside Plant

Typically, optical fiber cables do not carry electrical power, but the metallic components of a conductive cable are capable of transmitting current. When the



How to Install Fiber Optic Cable: A Comprehensive Guide

Learn how to install fiber optic cable with Network Drops' easy step-by-step guide. Follow the process for quick and effective results.

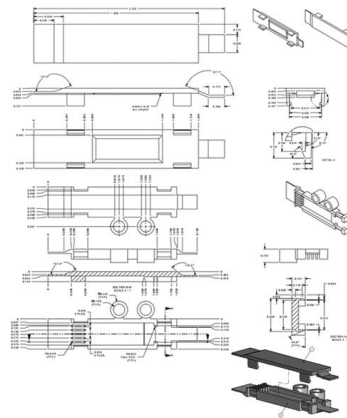


How to Install Underground Fiber Optic Cables: A

Learn how to install underground fiber optic cables with this detailed guide. Get tips on planning, trenching, cable pulling, testing, and ensuring long

Aerial Cable Placing Procedure

The methods used to place aerial fiber optic cables are similar to those used to place copper cable. Optical cable is a high capacity transport medium that is sensitive to excessive tensile force, tight



How to Install Underground Fiber Optic Cable

Underground fiber optic cable installation is critical for businesses looking to achieve stable, high-speed connectivity. Unlike aerial installations, buried fiber optic cables are protected



OPTICAL FIBRE CABLES INSTALLATION GUIDE

The objective of this document is to be an optical fibre cable installation and laying guide, addressed to new installers, also being useful as a reminder to experienced installers. We should always consider



How to Install Fiber Optic Cable: 7 Essential Tips in 2024

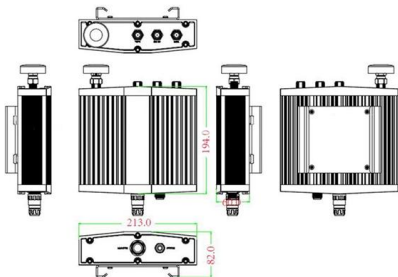
Learn how to install fiber optic cable underground with our comprehensive guide. Discover techniques, tools, and tips for efficient installation.

The Complete Guide to Fiber Cable Installation - Pinpoint Fiber

3. Installing the Fiber Optic Cable Laying the Groundwork With the planning and preparation complete, it's time for the actual installation. Technicians begin by laying the groundwork,



Mechanical drawing



Burying the Fiber-Optic Line

At this point, our team disconnects the temporary fiber-optic line from the service box. This takes ALLO service down for about five minutes while we splice the



Master Your Fibre Optic Installation: Step-by-Step Best Practices

This comprehensive guide delves into the intricacies of fiber optic installation, exploring topics ranging from cable types and pre-installation considerations to execution, safety protocols,

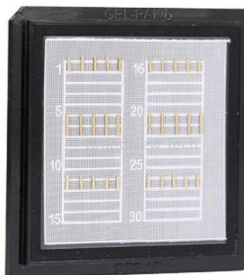


Why We Use Temporary Drops for Winter Installations

Why We Use Temporary Drops for Winter Installations We know the wait for fiber internet installation can be tough. After all, you are on the verge of having fast,

Optical Fiber Cable Installation Guideline

In order to effectively pull cable without damaging the fiber, it is necessary to identify the strength material and fiber location within the cable. Then, use the method of attachment that pulls most



The FOA Reference For Fiber Optics -Outside Plant

Deploying fiber above ground on poles or towers removes the need for underground digging and is particularly useful when the ground is uneven, rocky or both. Aerial



Installing Aerial Fiber - What Are the Options?

10. Once this has been done, the cable can be lifted out of the temporary J hooks or temporary supports and permanently fixed using tangent assemblies. Choosing



Contact Us

For datasheets, pricing, or custom high-speed optical interconnect solutions, please visit:

<https://www.syropy.com.pl>