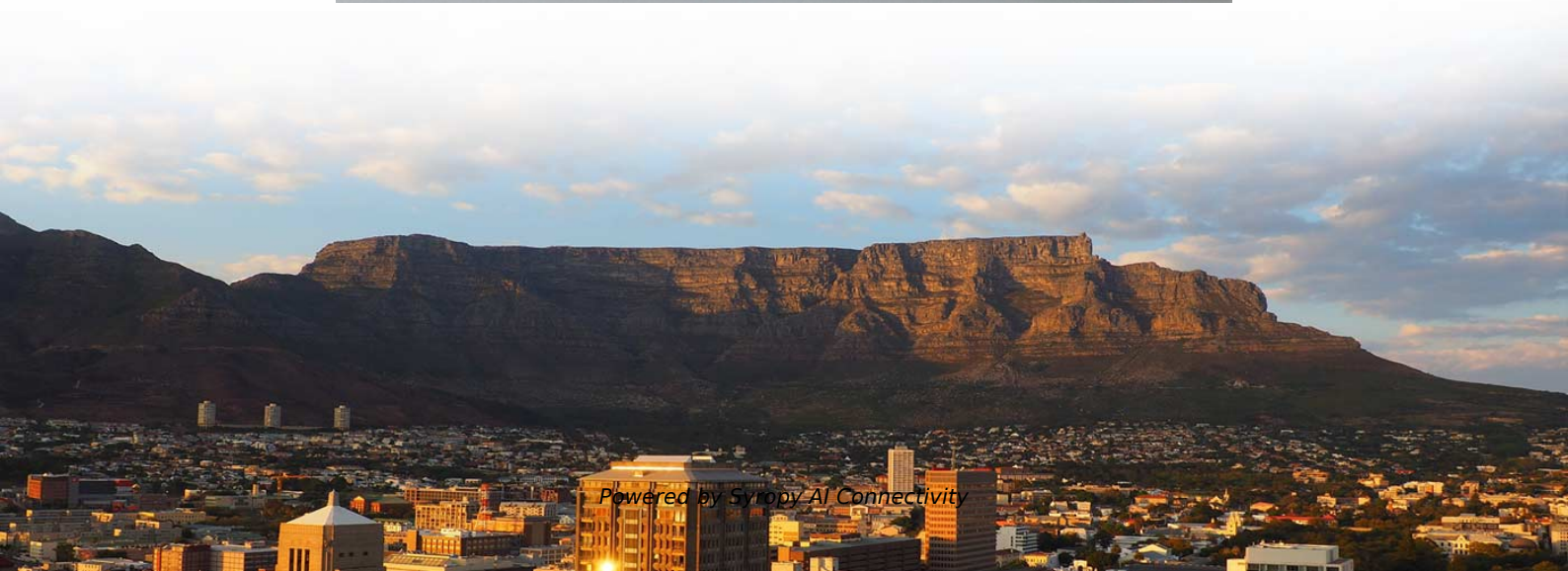


Technology Century Optical Cable





Overview

Recent advances in fiber and optical communications technology have reduced signal degradation to the point that regeneration of the optical signal is only needed over distances of hundreds of kilometers. Overview Fiber-optic communication is a form of for from one place to another by sending pulses of or through an.



Technology Century Optical Cable



Fiber Technology: A Revolution in Communication

Fiber technology, also known as fiber optics, has transformed the world of communication and data transmission. This innovative technology has its roots

Undersea cable , Definition, Submarine Cable, Fiber

An undersea cable is a fiber-optic cable laid across the ocean floor that transmits information and enables worldwide communications.

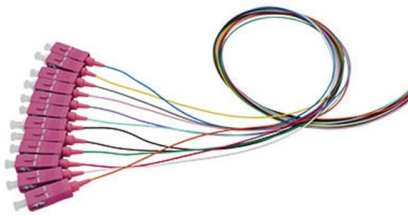


Fiber-optic cable

A fiber-optic cable, also known as an optical-fiber cable, is an assembly similar to an electrical cable but containing one or more optical fibers that are used to carry

3 Fiber Optic Technology Trends Every Manufacturer

Fiber optic technology has provided numerous industries a significant leg up in technological development and capabilities. Over the 20th Century and into the



Fifty Year History of Optical Fibers

This way, we have continued to support the expansion of optical fiber networks as one of the indispensable social infrastructure. This paper looks at the evolution of optical fiber technology and

The History and Importance of Fiber Optic Technology

This article delves into the history of fiber optics, explores its significance, and addresses key questions about its development and



Underwater Cables

They appeared in three distinct forms: the gutta-percha insulated copper-wire telegraph cables that broke onto the scene in the 1850s, the coaxial telephone cables (with repeaters) that appeared a



Lumen Technologies

Lumen Technologies, Inc. (formerly CenturyLink, Inc.) is an American telecommunications company headquartered in Monroe, Louisiana. It offers

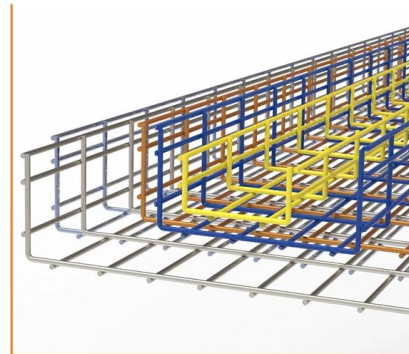


Corning , Materials Science Technology and Innovation

Corning Incorporated is a global-leading innovator in materials science, with 170 years of life-changing inventions and category-defining products.

Fiber Optic History Timeline

Who invented fiber optics for communications? When did fiber optics first come out? How has fiber optic technology changed over the years? Learn all



CDD High Speed HDMI 2.0 Active Optical Cable, 80 Ft

The CDD High Speed HDMI 2.0 Active Optical Cable is an advanced long-distance HDMI cable solution designed for premium video and audio transmission up to 80 feet. Featuring a hybrid copper and



Fiber Optic Cable for the 21st Century

General Cable, utilizing Corning® ClearCurve® ZBL Optical Fiber, delivers the best macrobending performance in the industry while maintaining compatibility with current optical fibers, equipment,



World Record Achieved in Transmission Capacity and

An international research team led by the Photonic Network Laboratory at the National Institute of Information and Communications



21st Century Technologies, AT& T Cabling System Ink Deal to

21st Century Technologies Ltd. has signed an agreement with AT& T Cabling Systems to upgrade its fibre optic cable infrastructure in Nigeria's main metropolitan business districts. This



FOA

Fiber Optic Timeline Created by the Fiber Optic Association as an educational project to help document the history of the development of fiber optics for



How Fiber Optics Was Invented



By the end of the century, more than 80 percent of the world's long



The Scientific Evolution of Fibre Optic Communication

In conclusion, this analysis has chronicled the progression spanning early electronic communication systems in the 19th century towards the global

The State of the Art and Evolution of Cable Television and Broadband

The most advanced broadband technologies using copper cable in the U.S.--AT& T's U-verse and other comparable very-high-bit-rate digital subscriber line (VDSL) services--can deliver 25 Mbps1 over a



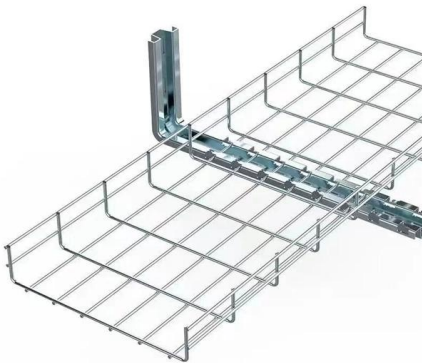
JOINT CENTURY

SHENZHEN JOINT CENTURY TECHNOLOGY CO.,LTD USB SYNC & Charging Cable 8pin Lightning and 30pin Caba for iPhone, iPod, iPad, Mac Micro 5pin USB for Android Smart Phone



History of Optical Fiber

A brief look at the history of optical fiber, a key component of today's high speed communications networks.

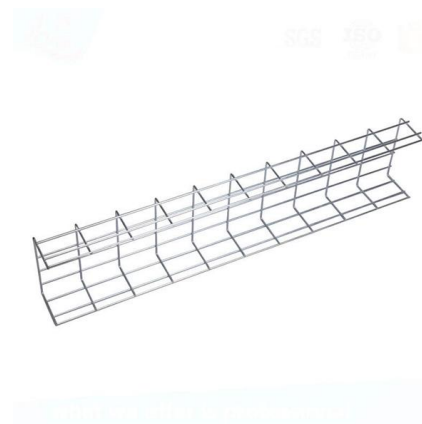


Global Submarine Cable Network , The Geography of

As was the case in the 19th century, submarine cables are laid by ships and thus capital-intensive projects. The development of fiber optic transmission technology

Cables and Their Evolution in Communication: From Telegraph to

This article will explore the evolution of cables in communication, highlighting key developments from the early days of telegraphy to today's fiber optic cables that form the backbone



The Evolution of the Telecom Industry: From Copper

The telecommunications industry has undergone a significant evolution over the past century. From the early days of copper wire-based



From Telegraph to Terabits: The Evolution of

Early cables were copper-based and transmitted telegraph signals, but advancements in materials and technology soon led to the introduction of coaxial



Fiber Optic History Timeline

How has fiber optic technology changed over the years? Learn all this and more in this timeline documenting the history and development of fiber optics

Contact Us

For datasheets, pricing, or custom high-speed optical interconnect solutions, please visit:
<https://www.syropy.com.pl>