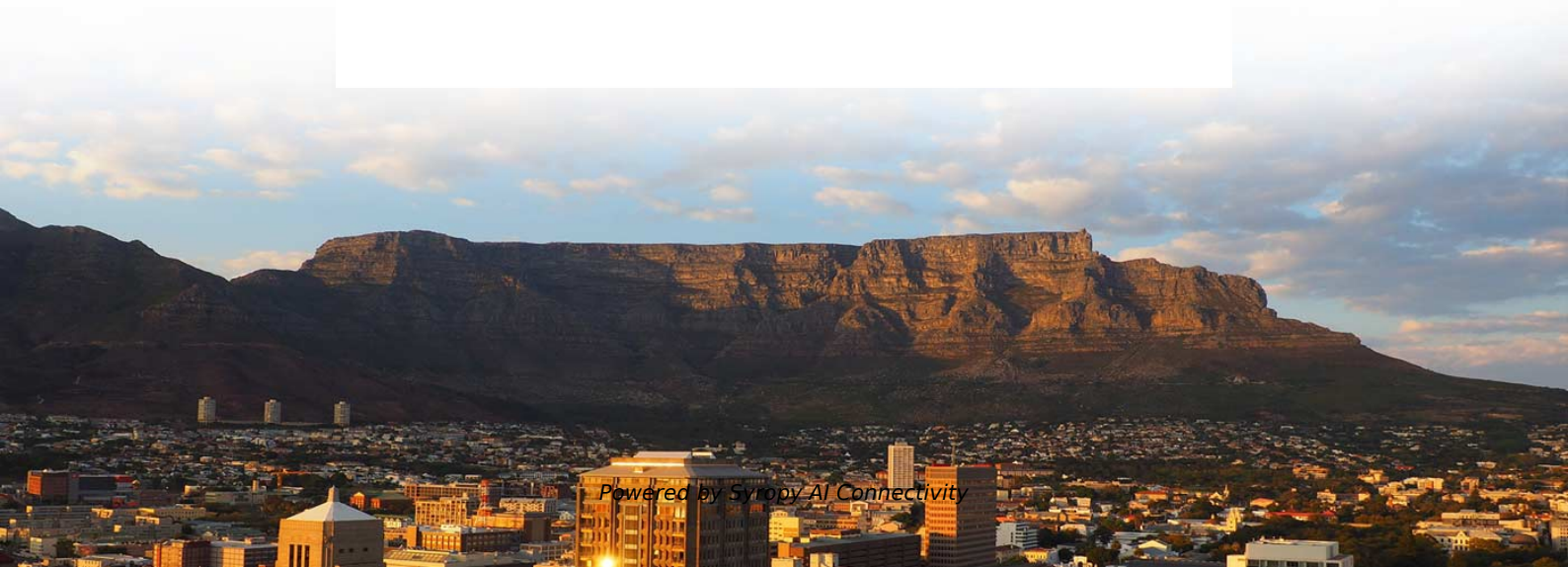


# **Support for 2-core technology in fiber optic distribution boxes for surveillance applications**





## Support for 2-core technology in fiber optic distribution boxes for s

---

### Fiber Optic Cable Types: A Complete Guide

The plethora of fiber optic cable types can seem overwhelming, but choosing the right cable for the job is important.



### Bloomberg Industry Group

Bloomberg Industry Group provides guidance, grows your business, and remains compliant with trusted resources that deliver results for legal, tax, compliance,



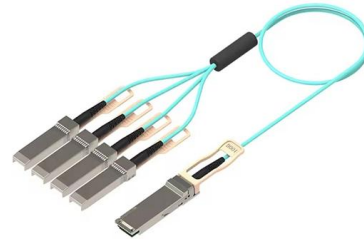
### Industrial Fiber Optic Distribution Boxes , 1-24 Cores

We offer a wide range of 1-24 core FDB boxes and ODF cabinets for indoor/outdoor FTTX deployment. Durable, IP65 rated, and easy to install. Browse our models



### The Role and Function of Fiber Optic Distribution Boxes

A fiber optic distribution box, also known as an FDOT box, is a key component in fiber optic network infrastructure. It is an enclosure that houses interconnections between main feeder



### Newsroom

The global leader in press release distribution and regulatory disclosure. Public relations and investor relations professionals rely on Business Wire for broad-based and targeted market reach.



### Applications and Development of Multi-Core Optical

Multi-core optical fiber, with its ability to transmit multiple signals simultaneously, has emerged as a promising solution to meet this demand.



### Fiber Distribution Architecture

To accommodate increased bandwidth demand, integrating WDM technology into fiber optic hardware helps you get more out of your existing fiber distribution network. To learn more about what



## Fiber Optic Sensing Technology and Vision Sensing

In recent years, the development of fiber optic sensing technology and vision sensing technology has led to further advances in structural health

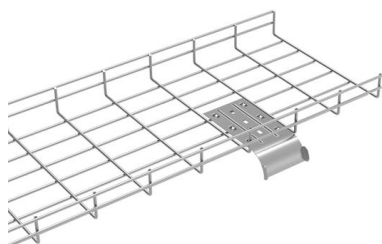


## Nasdaq: Stock Market, Data Updates, Reports & News

Get the latest stock market news, stock information & quotes, data analysis reports, as well as a general overview of the market landscape from Nasdaq.

## 2 Core Cassette Type SC Adaptor Fiber Optic

The 2 Core Fiber Optic Distribution Box serves as a termination point for feeder cables to connect with drop cables in FTTX communication networks. It



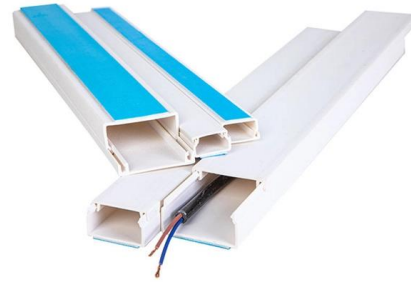
## 2 Cores Fiber Distribution Box (FDB-102A-1)

The 2 Cores Fiber Distribution Box (FDB-102A-1) IP-55 SC Connector PLC Splitter is a compact and rugged outdoor enclosure designed to provide a



## The Role of Fiber Optic Distribution Boxes in Optical Networks

They provide flexibility to reroute and divert optical signals as needed. The key functions of fiber distribution boxes include: Types of Fiber Distribution Boxes There are different



### 12 Cores Fiber Optic Distribution Box- NEATEL COMMUNICATION

NEATEL's distribution box terminates outside optical cables with up to 12 fibers; it allocates 12 adapters for connecting with max 12 drop cable pigtails, it is also suitable for using with mini splitters. The box

### Fiber Optic Distribution Boxes , 2-32 Core , Telexc

From 2 cores up to 32 cores FDB Series, our distribution boxes cover small-scale residential setups to large-scale commercial networks. Each box is engineered for weather resistance, durability, and



### ETS Fiber Optic Distribution Box 2 Core - IP65 Waterproof

The box is engineered to simplify fiber management and ensure secure connections, making it an essential component in modern fiber optic networks. Built from high-strength ABS or PC+ABS



## An In-Depth Exploration of Fiber Optic



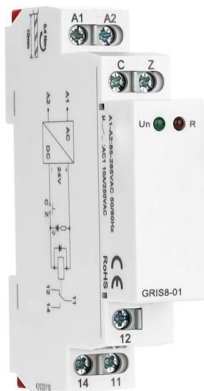
## Distribution

It begins with an introduction to fiber optic technology and the pivotal role of distribution boxes in managing fiber optic cables. The article categorizes the

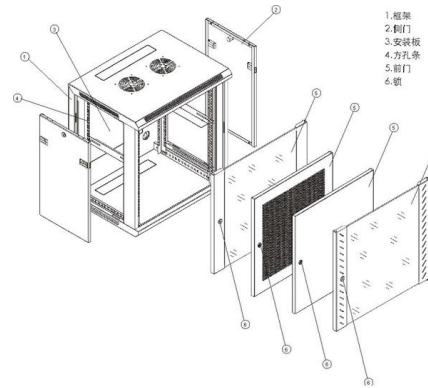


### 2 Core FTTH Fiber Optic Distribution Box

ISP-TB-0102 2 Core Fiber Optic Distribution Box  
Feature: 1. Products are made of excellent shock resistance plastic and have good performance on waterproof and



### FBR-11604 Fiber-Optic Distribution Box, 2-Core



### ETS Fiber Optic Distribution Box 2 Core - IP65 Waterproof

It can be wall-mounted or pole-mounted, providing flexibility in installation based on your network setup. The Fiber Optic Distribution Box is suitable for data centers, network hubs, and industrial



### Fibermint , High-Quality Fiber Optic Enclosures Manufacturer

From standardized fiber optic closures to custom-designed distribution boxes, Fibermint delivers reliable connectivity protection through



FBR-11604 Fiber-Optic Distribution Box, 2-Core is a high quality product by Bud Industries used for electronic enclosure applications.



### **12 Core Fiber Optic Distribution Boxes for FTTH**

The 12 Core Fiber Optic Distribution Box is meticulously crafted using high-quality ABS+ material, guaranteeing exceptional protection and achieving an impressive

### **What Are Distribution Boxes and Their Functions in**

Understand the role of distribution boxes in fiber optics. Learn about their components, types, and functions in protecting and managing fiber optic



### **Fiber Optic Distribution Boxes , 2-32 Core , Telexc**

Telexc Fiber Optic Distribution Boxes from 2 to 32 cores. Durable, weatherproof, secure, and easy to install for FTTH & FTTX networks.



## The FOA Reference For Fiber Optics

There is really no way to generalize on the design process for fiber to the home (FTTH) networks - or any fiber optic network for that matter - since every system



## How to Use Fiber Distribution Box: A Comprehensive

A fiber distribution box (FDB) functions as a central hub in fiber optic networks where the main cable is split into multiple individual fibers for distribution

## How to Choose the Right Fiber Distribution Box for

Explore key factors in selecting a fiber distribution box (FDB) including capacity, materials, IP ratings, and deployment scenarios. Ideal for FTTH, PON,



## Fiber Optic Distribution Box

Capacity: The conventional fiber splitting box is 1 to 24 cores. Of course, if there is a need for a large number of cores for the fiber distribution box, we can also



## 2LINE Optic Fiber Management Boxes

2LINE Optic Fiber Management Boxes The 2LINE product range is rounded off by wall distributors, fibre optic termination points and subscriber connection boxes, which can be used in all projects in both



## Contact Us

---

For datasheets, pricing, or custom high-speed optical interconnect solutions, please visit:  
<https://www.syropy.com.pl>