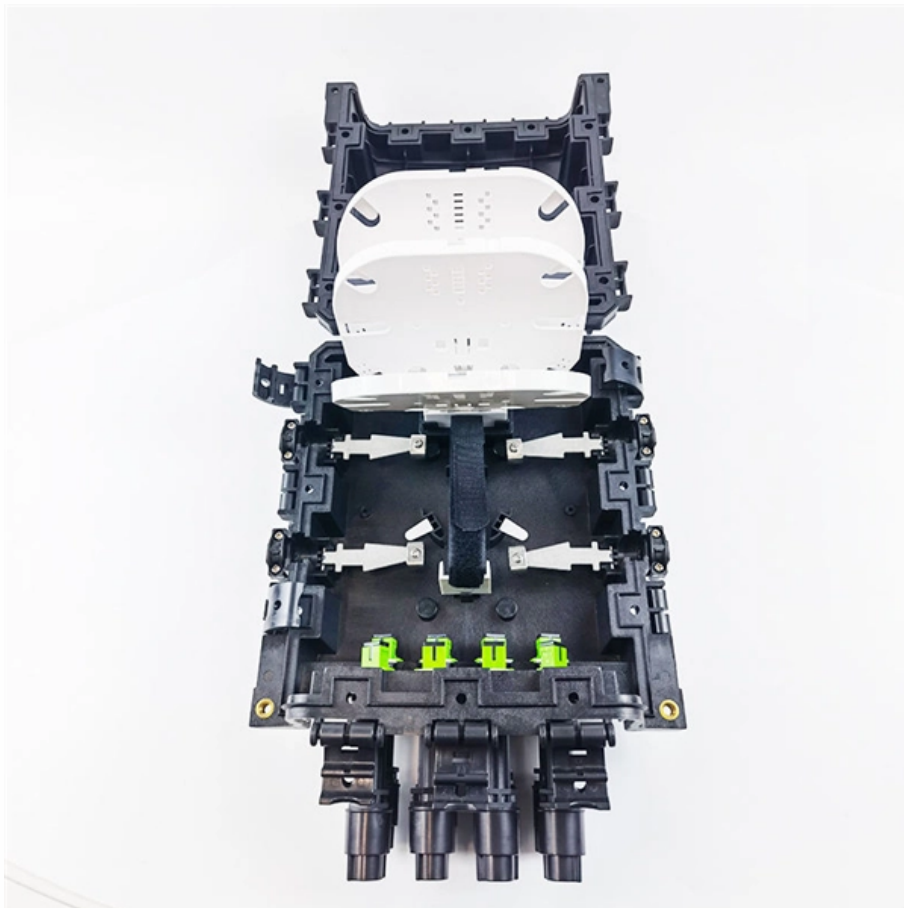


# **Sudan Optical Cable Project**





## Overview

---

According to industry reports, the telecommunications landscape in Sudan is poised for a major transformation with a US\$3 million investment in advanced networking equipment and the recent activation of a new subcontinental undersea fibre optic cable. The plan was discussed during the 13th leadership meeting of the MOICT&PS, a project that is expected to significantly improve the country's connectivity and digital infrastructure. The Ministry of Information, Communication Technology and Postal Services (MOICT&PS) of the Republic of South Sudan. South Sudan's government, in collaboration with the World Bank, has announced plans to lay a high-speed fiber optic cable from Kenya in early 2026, as part of a strategic push to modernize its digital landscape.



## Sudan Optical Cable Project

---



### Sudan Secures US\$3 Million Investment For Networking

It falls under the strategic Port Sudan to Douala (Cameroon) Corridor and aims to connect landlocked nations in Central and West Africa to the global

### Fibre Optic Link from Kenya to Reach South Sudan by 2026

(JUBA) - The Ministry of Information, Communication Technology and Postal Services (MOICT& PS) of South Sudan, in partnership with the World Bank, has announced plans to begin



### Multinational

Project General Description The EASSy project is an initiative to construct and operate a submarine fibre-optic cable along the east coast of Africa to connect 20 coastal and land-locked

### Information ministry approves \$9 million for fibre optic

South Sudan's Ministry of Information, Communication Technology, and Postal Services has greenlit a \$9 million budget to initiate the design phase of the



### **South Sudan to Begin Fibre Optic Construction in**

(LUSAKA) - South Sudan will begin the construction and installation of its national fibre optic cable in December, connecting the country to the Indian

### **South Sudan To Begin Fiber Optic Cable Project With Kenya In Early**

The fiber optic cable is a crucial project aimed at providing faster and more reliable internet access across South Sudan. In a separate matter, the leadership meeting also addressed the future location



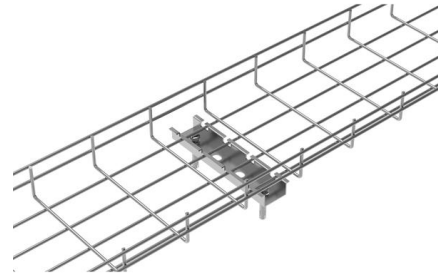
### **South Sudan advances with major investment in national fibre network**

South Sudan's government has taken a significant step forward in its ambitious fibre optic infrastructure project, with the Steering Committee approving a budget exceeding \$9 million for the design



## Juba - Nairobi Fiber Optic Link

The Juba - Nairobi Fiber Optic Link Project consists of the construction of the 957 km high-capacity optic fiber cable (OFC) to interconnect Eldoret (Kenya) to Juba (South Sudan) through

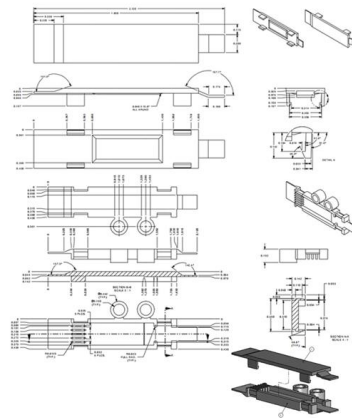


## Gov't approves \$9 million for fiber optic design

In 2023, the World Bank pledged \$67 million to develop broadband infrastructure, enhance public digital and financial management skills, and connect South Sudan to fibre optic

## South Sudan to Begin Fiber Optic Cable Project with

The Ministry of Information, Communication Technology and Postal Services (MOICT& PS) of the Republic of South Sudan, in collaboration with the



## South Sudan, World Bank set to launch fiber optic

South Sudan's government, in collaboration with the World Bank, has announced plans to lay a high-speed fiber optic cable from Kenya in early 2026,



## Construction of Kenya, South Sudan fibre optic cable

The ICT Authority is implementing the Kenyan-side of the project through a World Bank fund estimated at a cost of Kenya and South Sudan will

LoRawan outdoor base station



## South Sudan sets to import fiber optic from Kenya, Djibouti

South Sudan President Salva Kiir Mayardit and his counterpart William Ruto of Kenya have signed a Memorandum of Understanding to establish fiber optic cable along the Eldoret-Juba

### Juba

Project Overview Description Construction of the 957 km high-capacity optic fiber cable (OFC) to interconnect Eldoret (Kenya) to Juba (South Sudan) through the Nadapal border town. Limited



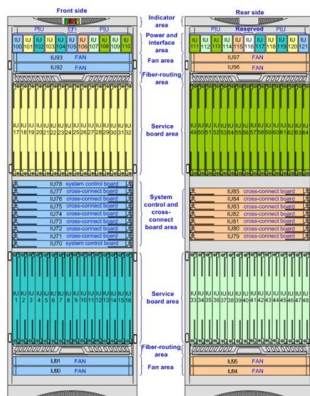
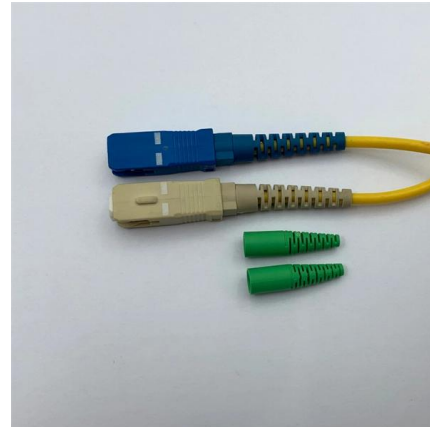
## Sudan Secures US\$3 Million Investment For Networking

According to industry reports, the telecommunications landscape in Sudan is poised for a major transformation with a US\$3 million investment in



### Feasibility of Laying Fiber-Optic Cables underwater

Fiber optics cables offers various advantages of over regular cables when used as data transportation medium in today's communication networks. The River Nile



### Sudan's Telecommunications Sector Revitalized with \$3

Sudan's telecommunications infrastructure is set for a major transformation following a \$3 million investment in advanced networking

### Ethio Telecom, Sudatel, Djibouti Telecom Partner to

Ethio telecom, Djibouti Telecom, and Sudatel Telecom Group announced the launch of a joint project to develop a Multi-Terabit Terrestrial Fiber



### Djibouti commits to connecting South Sudan with fiber

JUBA - Djibouti said on Wednesday it is committed to connecting South Sudan with fiber optic cable through Ethiopia. Addressing journalists at a



## Sudan Section of the Fiber Optic Connectivity

The proposed project addresses enlargement of the regional ICT coverage by providing services for unconnected customers with satisfied and



## World's longest subsea cable 2Africa reaches Saudi

RIYADH: Saudi Arabia is now connected to the world's longest subsea cable after the 45,000-km fiber-optic 2Africa network landed in Jeddah and

## Kenya and South Sudan Sign Fiber Optic Cable MoU

Kenya and South Sudan strengthen collaboration with a signed MoU for a fiber optic cable along the Eldoret-Juba road, enhancing connectivity and



## South Sudan Allocates USD 9 Million to Advance

In a major stride toward digital transformation, the government of South Sudan has approved a budget exceeding USD 9 million for the design phase of



### Bayobab to deploy fiber in South Sudan

Bayobab, a digital connectivity solutions company, has announced plans to build a fiber optic cable network across South Sudan.



### Kenya and South Sudan Sign Deal for New Fiber Optic

Before the recent deal, Kenya and South Sudan already shared a fiber-optic cable. Indeed, in October 2020, 630 km of fiber-optic cable were deployed at the border

### South Sudan plans new fiber optic link to expand

The Ethiopian link would be South Sudan's third international fiber optic route. Officials believe it will expand bandwidth, lower internet costs, and



### South Sudan World Bank Fiber Optic Project Launch 2026

Africa-Press - South-Sudan. The Government of South Sudan, in collaboration with the World Bank, will begin laying a fiber optic cable from Kenya early next year, a move aimed at



## Contact Us

---

For datasheets, pricing, or custom high-speed optical interconnect solutions, please visit:

<https://www.syropy.com.pl>