

Stripping method for double-wire 8-core optical fiber cable





Stripping method for double-wire 8-core optical fiber cable



Fiber Optic Termination Tools

These fiber buffer stripping tools provide a quick, easy, and reliable way to remove the buffer from an optical fiber in preparation for connectorization. A fiber guide

Fiber and Cable Stripper - Types, Uses & Guide

First, strip the outer sheath of the optical fiber with optical fiber strippers; remove the stripped outer sheath of the optical fiber; and finally, cut the



Fiber Optic Strippers , Cable & Wire Stripping Tools

Precision fiber optic strippers and cable tools for fast, accurate buffer removal. Choose from a variety of reliable, cost-effective wire stripping options.

Fiber Strippers - tools, mechanical, thermal, chemical,

Fiber strippers are precision tools that remove a coating from a fiber before connectorization or splicing. There are mechanical, thermal and non-contact



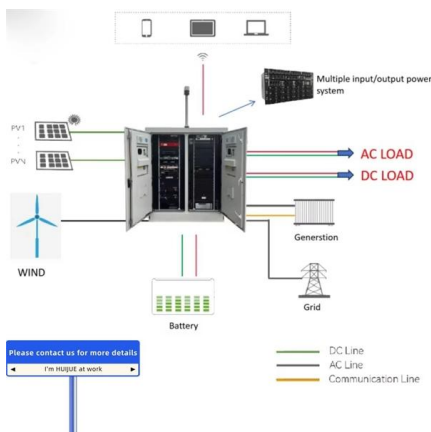
25 types Fiber Optic Strippers for Various Cable Jackets

When stripping fiber optic cable, a professional-quality stripping tool makes your job easier by providing a clean cut. Different fiber strippers are designed to remove



Fiber U Lesson Plan: Basic Fiber Optic Skills Lab

In this lesson, we will identify and examine cables, then prepare them for splicing or termination by stripping the cable to expose the coated fibers. Finally we will strip



24 Core Fiber Fusion Splicing Sequence Diagram_NEWS_OPTICAL FIBER CABLE

Abstract The diagram of 24 core fiber fusion splicing sequence is an essential tool for engineers in the telecommunications industry. This article provides a detailed explanation of the sequence, covering



Termination of Fiber Optic Cables

This fiber optic installation method statement covers the termination of fiber optic cables with patch panel, network distribution cabinet NDC and door junction box



Effortlessly Strip Fiber Cables with Professional Stripper

The FOS03Y Fiber Optic Stripper is engineered for field technicians and fiber optic installers who demand precision, comfort, and reliability. This

How To Strip Fiber Optic Cable , Instructional

In this instructional video, Bob Licari, Test Equipment Product Manager, demonstrates a simple way to strip optical fiber. more



Introduction to Fiber Optics Cables - Stripping and Cleaving

Optical fiber has changed telecommunications all over the world. Because a single optical fiber can carry really huge numbers of teleph one conversations, long distance calls that used to be



Fiber-Optic Strippers , McMaster-Carr

Strip fiber-optic cables without scratching or damaging them. These cable strippers have three nonmarring openings to handle different thicknesses of fiber-optic cable jackets and buffer coatings.



Laser-based methods of stripping fiber optic cables

One aspect of the disclosure is a method of stripping a fiber optic cable having a protective cover with an outer surface that surrounds at least one optical fiber and that has a

Fiber Cable Stripping Tools: A Comprehensive Guide

Fiber cable stripping tools are essential for anyone working with fiber optics. Understanding the different types of tools, their applications, and best practices is crucial for ensuring successful installations and



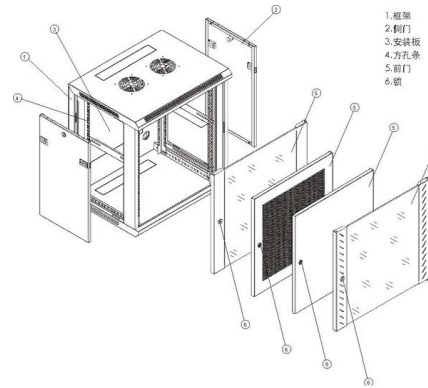
Cable Preparation Best Practices for Fiber Optic Indoor/Outdoor

This best practices document is a step-by-step guide for end and midspan access of loose tube optical cable, including sheath removal, core preparation, and fiber preparation.



Fiber Cable Stripping Tools: A Comprehensive Guide

Fiber Cable Stripping Tools: A Comprehensive Guide The delicate nature of fiber optic cables requires specialized tools for proper handling, especially when it comes to stripping away the protective layers



Fiber Optic Cable Stripper & Wire Stripping Pliers , Precision Jacket

High-precision Fiber Optic Cable Strippers and Wire Stripping Pliers. Designed to safely remove outer jackets, loose tubes, and 250µm buffer coatings without damaging the fiber core. Essential for FTTH

Tips & Techniques for Using Stripping Tools on Fiber Optic Cable

Optical cable specification development includes design and quality testing. FOC's impact reaches the network physical capabilities through fiber manufacturing process expertise from



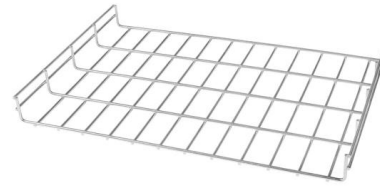
Figure 8 Fiber Optic Drop Cable

Prysmian's Figure 8 Fiber Optic Drop Cable is designed for use with standard WIREWISE® service drop wire clamps in aerial applications. Wirelink splices can be used to splice together the messenger at

The best fiber optic stripping tools



Regarding the operation of optical cables, especially optical fiber terminal splicing, one way is to splice two bare optical fibers together through fusion splicing. In the

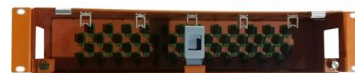


Engineering: Stripping (fiber)

Stripping is the act of removing the protective polymer coating around optical fiber in preparation for fusion splicing. The splicing process begins by preparing both fiber ends for fusion, which requires

How to Strip and Prepare Fibre Optic Cable for

In this informative guide, we'll walk you through the step-by-step process of stripping and preparing fibre optic cable for termination, covering



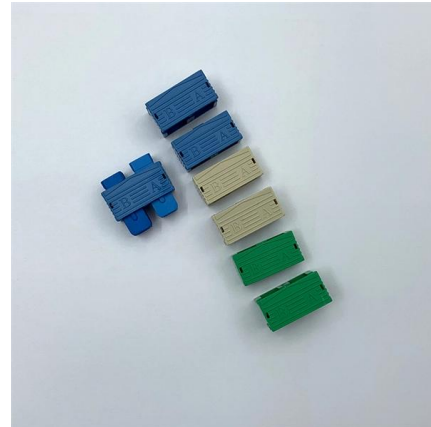
Fiber Splicing & Winding Tutorial - Step-by-Step Guide

Learn fiber splicing and winding in 5 steps with pro tips on stripping, cleaving, fusion, and sleeve protection. Ensure low-loss, reliable fiber connections.



Stripping Techniques For Your Fiber Optic Cable

Good fiber optic stripping techniques in your cable assembly process are crucial. See best practices for how to strip fiber optic cable buffers & jackets.



The Ultimate Optical Fiber Stripper Guide

An Optical Fiber Stripper is arguably the most fundamental hand tool for any technician working with fiber optic networks. In an industry where

Fiber and Cable Stripper - Types, Uses & Guide

2. CFS-2 Fiber Cable Cutting Scissors the three-hole optical fiber cable cutting scissors uses a three-hole segmented stripper, which is small in size, light



NKT Photonics App notes

FIBER HANDLING, STRIPPING, CLEAVING AND COUPLING This application note addresses general handling of fibers from NKT Photonics, including how to strip the protective coating, how to cleave



how to strip fiber optic cable

Fiber optic cables are widely used in telecommunications and networking to transmit data at high speeds over long distances. However, before installing or repairing fiber optic cables, it is essential to know



Sheath Removal and Stripping of 8 and 12-Fiber Ribbon Interconnect

Do not bend cable more sharply than the minimum recommended bend radius. Do not apply more pulling force to the cable than specified. Do not crush the cable or allow it to kink. Doing so may

Contact Us

For datasheets, pricing, or custom high-speed optical interconnect solutions, please visit:
<https://www.syropy.com.pl>