

Standard for Household Lighting Distribution Boxes





Standard for Household Lighting Distribution Boxes



Understanding the PZ30 Lighting Distribution Box: A

Applications of the PZ30 Lighting Distribution Box Enclosed is the PZ30 lighting distribution box, which is without a doubt highly functional and has a

12 types of distribution boxes and how to choose them

In this guide, we'll break down the 12 main types of distribution boxes in a way that's easy to understand. We'll chat about what each one does, where it shines, and then dive into how to choose the perfect



Advantages of Standard Distribution Boxes

Standard distribution boxes improve safety, simplify power management, support expansion, and organize electrical systems efficiently for

Power Distribution Box Essentials: Functions, Types

7) Considerations for choosing a power distribution box The context, security needs, and purpose all play a vital role in deciding a power distribution



Power dsitribution box installation standard , Anssin

Nowadays, for the sake of safety, each household is equipped with one power distribution box at least, with the increasing household power load and

The installation requirements for the distribution box

Learn how to install a distribution box safely and correctly. Covers wiring, placement, standards, and expert tips for a compliant setup.



Explore Distribution Boxes for Every Setting with Different Types

Distribution boxes act as the central hub, receiving the main electrical supply and dividing it into designated circuits for lighting, outlets, and appliances. They provide a safe and organized way



Distribution Boxes Explained: Types, Functions, and

Plastic Distribution Boxes: Constructed from materials like PVC or polycarbonate, these boxes are light and resist corrosion, making them suitable



Lighting Distribution Boxes for Power Control

The boxes accommodate standard Plugs & Leads and BESA Sockets & Flex Connectors for versatile installation options. Ready to upgrade your lighting installations? Browse our selection of lighting

How to Choose a House Distribution Box , CHINT global

A well-chosen distribution box ensures the safety and efficiency of your household electrical system. This article guides you through selecting a



How to Choose a Home Distribution Box - Expert Guide

Learn how to choose the right home distribution box with our expert guide. Compare circuit capacity, IP ratings, breaker types & avoid common mistakes.



High-Quality Electrical Lighting Distribution Boxes Explained

High-quality electrical lighting distribution boxes are indispensable components in modern lighting systems, offering a combination of safety, reliability, and efficiency.

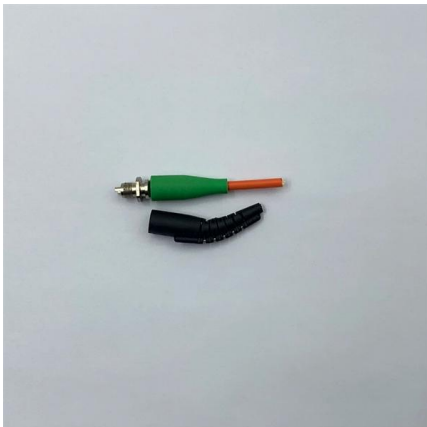


TECHNICAL SPECIFICATION FOR LT DISTRIBUTION BOX

General Technical Particulars for LT Distribution Boxes : - The L.T. Distribution Boxes should be of the dimensions as per the drawing & details in the table furnished.

Understanding domestic electric lighting circuits (UK)

While this removes the need for one junction box per lamp, it is often more awkward for the average diy'er. With the junction box system (an old standard but still



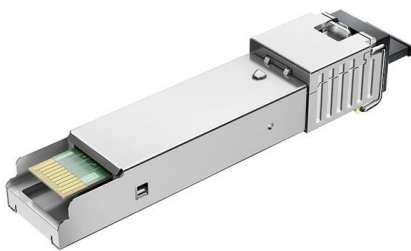
What Is a Distribution Box?

Synthetic rubber is an excellent choice. When made of synthetic rubber, distribution boxes can withstand regular use without damaging or



"Guidelines for Household Distribution Box Specifications and

Installing a household distribution box requires careful attention to specifications and safety guidelines. Understanding these parameters is vital for ensuring the safety and efficiency of

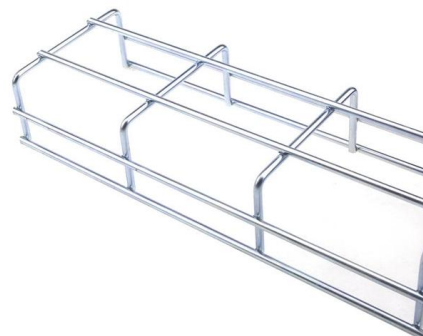


12 types of distribution boxes and how to choose them

How to Choose the Right Distribution Box: Your Step-by-Step Guide So, you've seen the options--now what? Choosing the best distribution box isn't rocket science, but it does need a bit of thought. I'll

Distribution Box and Selection Guide

This guide provides information on how to select the appropriate Distribution Box for Electric project. If you have any questions about distribution



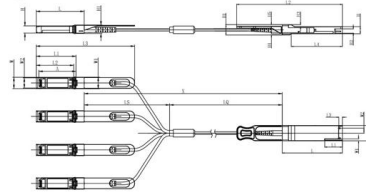
Home Wiring Guide

The consumer unit or commonly known as fuse box is the heart of a home wiring installation. It is usually mounted near the energy meter. A modern consumer unit



Product Guide , How to Choose the Right Home Distribution Box? A

At Lianxinda, we've helped thousands of families choose the right home electrical boxes for over a decade. Here's a simple breakdown to make your decision stress-free.



Unit mm

GSF28	L	L3	L2	L3	L4	W	W1	W2	H	H1	H2	H3	H4	H5	H6
Max	72.2	-	128	4.35	61.4	18.45	-	6.2	8.6	12.4	5.35	2.5	1.6	2.0	-
Type	72.0	-	4.20	61.2	18.35	-	-	8.5	12.2	5.2	2.3	1.5	1.8	6.55	-
Min	68.8	16.5	124	4.05	61.0	18.25	2.2	5.8	8.4	12.0	5.05	2.1	1.3	1.6	-

SFP28	L	L1	L2	L3	W	W1	W2	H	H1	A
Max	57.6	47.7	44.55	119.9	13.8	14.0	12.3	8.7	10.3	45.25
Type	57.4	47.5	44.35	117.9	13.55	13.8	12.1	8.5	10.1	45
Min	57.2	47.3	44.15	115.9	13.3	13.6	11.9	8.4	9.9	44.65



Distribution Box and Selection Guide

Different settings have distinct electrical requirements: Residential: Homes typically require single-phase power and a Distribution Box with fewer

Understanding Distribution Boxes: Your Guide to Power

Weatherproof Distribution Boxes These serve specific outdoor purposes, with rain, dust, and extreme temperatures sealed shut, protecting any



flex7 Lighting Distribution Boxes

At the very core of its design our Lighting Distribution Box fulfils the requirements of BS 5733. It's a longstanding, onerous British Standard written to ensure devices





Contact Us

For datasheets, pricing, or custom high-speed optical interconnect solutions, please visit:

<https://www.syropy.com.pl>