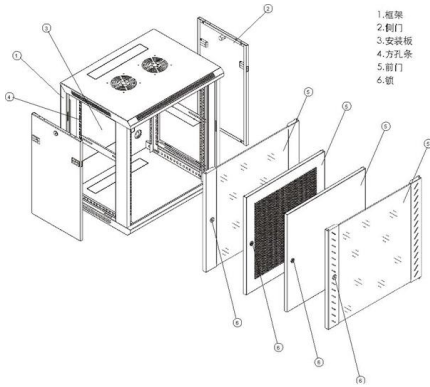


Standard Width of Jumper Wires in Distribution Boxes





Standard Width of Jumper Wires in Distribution Boxes



Jumper Wire Specifications and Standards

Jumper Wire Specifications and Standards The jumper wire specification outlines requirements for the conductor, insulation, twisting, electrical properties, and

Jumper Wire

Users of this data sheet should check for themselves the Information and the suitability of the products for their purpose and not make any assumptions based on information included or omitted.

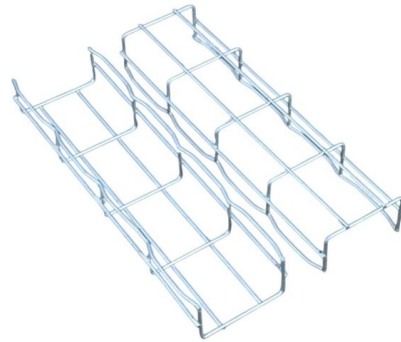


Distribution Box Wiring Steps

?Wiring and Binding? ?Wiring Direction?: Wiring between the main circuit breaker and each branch circuit breaker in the box generally goes on the left, and

National Electric Codes for Wire in Electrical Boxes NEC-Table370-16a

The National Electrical Code explains the Maximum Number of Wires that can be installed into a box, otherwise known as Box Fill. This code is based upon the type of box, wires, wire sizes, wire clamps



A Definitive Guide To Distribution Boxes

The distribution box acts as the center of power distribution, distributing electricity to all connected devices. A distribution box, also known as a distribution board, panel board, breaker

Quality Control for Installation and Construction of Electrical Riser

Master the key quality control methods for electrical riser & distribution box installation. Ensure safety, compliance, and prevent hazards in building electrical systems.



How to Install a Cable Distribution Box Safely and

In modern electrical systems, cable distribution boxes (also known as electrical distribution boxes or distribution boxes) play a crucial role as the key



Understanding Circuit Breaker Wiring Configurations in

Correct wiring methods for circuit breakers within distribution boxes are fundamental to ensuring electrical safety and compliance with established codes.



Understanding Distribution Boxes: A Comprehensive Guide

A distribution box, also known as a power distribution box or electrical distribution box, is used to distribute electrical power safely to multiple

The Complete Guide to Distribution Box: Installation, Types & More

Consult with qualified electrical professionals to ensure your distribution boxes meet current standards and can accommodate future needs. Your proactive approach to electrical



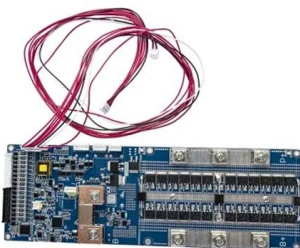
IEC Standard for Power Distribution Board Design and

Home - Blog - Blog IEC Standard for Power Distribution Board Design and Layout By Abdul Wassay Posted on 01/06/2025 Updated on 24/01/2026



Determining the Correct Junction Box Size According to

Selecting the appropriate junction box size is a critical task for facility managers and electricians to ensure safety, compliance, and efficient functionality of electrical



Sizing Junction Boxes

The sizing requirements for pull boxes, junction boxes, handhole enclosures, and conduit bodies exist to prevent conductor insulation damage. Those requirements

Area distribution boxes with connectors

The area distribution box associated with the copper or optical feedthrough sockets allows total flexibility: the connections close to the workstation are centralised.



6.1 Jumper Wires

Jumper wires shall not be raised more than 3.2 mm (.125") above the board surface or above components or leads in such a way that they will interfere with circuit board mounting. Bare



Junction Box Sizes and Specifications: A Complete Guide

A comprehensive and detailed guide covering all key aspects of junction boxes, including standard sizes, common specifications, inlet/opening types, wire capacity, material differences, and practical

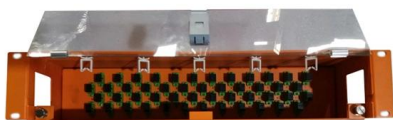
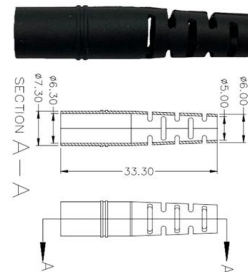


Wiring Jumpers Part 1: What They Are & Why We Use

Again, remember, jumpers are mostly used to replace the need for bulky wires to connect multiple points but are not in many cases, always necessary. However,

Receptacle Boxes and Cable Installation Codes

By installing the appropriate electrical boxes in the right manner, you'll have a safe and great looking installation. The electrical cables that run through



Electrical Box Dimensions: Find the Right Size for Any

Choosing the correct electrical box dimensions is essential for safe wiring, code compliance, and long-term reliability. Whether you are installing



How to determine the size, installation method and

(1) Wiring method of distribution box 1)
Generally, the incoming line of power distribution box adopts five wire system, that is, a, B and C three-way phase line



Jumper Wires 10 Essential Rules for Circuit Board

Abstract Jumper wires play a critical role in circuit board assemblies, whether used as part of the original design, for modifications or to correct defects. To ensure the integrity and reliability of these

The installation requirements for the distribution box

Learn how to install a distribution box safely and correctly. Covers wiring, placement, standards, and expert tips for a compliant setup.



Communications Distribution System Requirements

Conduit expansion fittings together with bonding jumper shall be provided where each conduit run crosses an expansion joint in concrete structure. Expansion fitting shall be installed on one side of



JUMPER WIRE

Actual products may differ in dimensions due to manufacturing tolerances. The information provided within this document is typical and is intended for guidance only. This specification and data is



Cautions and Requirements for Installation of

Distribution box is a low-voltage distribution device which assembles switchgear, measuring instruments, protective appliances and auxiliary equipment in a closed

Contact Us

For datasheets, pricing, or custom high-speed optical interconnect solutions, please visit:
<https://www.syropy.com.pl>